

PRESSURE FEEDBACK EGR (PFE) SENSORS

WHAT THEY DO

Change exhaust backpressure into an analog voltage signal. This signal is sent to the computer to control EGR flow, ignition timing and the air/fuel ratio.

FAILURE SYMPTOMS

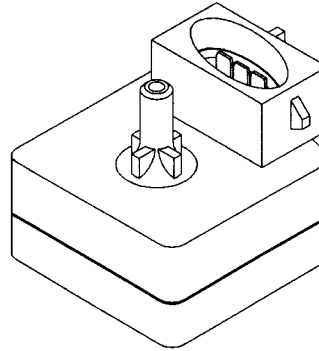
Rough idle, pinging, overheating, loss of power.

MAINTENANCE/SERVICE

Check when EGR is not functioning correctly, during emissions performance check, when vehicle fails emissions test for NOx, or when codes indicate trouble.

LOCATION

On engine or fire wall.



- The PFE Sensor may be found on Ford vehicles listed.
- Not all these models have a PFE sensor.
- The calibration number (found on the calibration sticker in the engine compartment) designates if a specific vehicle uses a PFE sensor.

YEAR	ENGINE	MODEL	NOTE	OE #	PART #
FORD					
4 CYL.					
1995-1994	1.9L (J) 116"	Escort	Marked With O.E.#	F2SE-9J460AA,F2SZ-A	10900
1995-1994	1.9L (J) 116"	Escort	Marked With O.E.#	F4CE-9J460AA,F4CZ-A	10907
1995-1991	1.9L (J) 116"	Escort	Marked With O.E.#	F0DZ-9J460A,F0SE-AA, F0SZ-A,F2SE-AA,F2SZ-A, E6AE-A1A,E6AZ-A	10900
1990-1986	1.9L (J,9) 116"	Escort	Marked With O.E.#	F0DZ-9J460A,F0SE-AA, F0SZ-A,F2SE-AA,F2SZ-A, E6AE-A1A,E6AZ-A	10900
1994-1992	2.3L (X) 140"	Tempo	Marked With O.E.#	F0DZ-9J460A,F0SE-AA, F0SZ-A,F2SE-AA,F2SZ-A, E6AE-A1A,E6AZ-A	10900
1992-1988	2.3L (S,X) 140"	Tempo	Marked With O.E.#	F0DZ-9J460A,F0SE-AA, F0SZ-A,F2SE-AA,F2SZ-A, E6AE-A1A,E6AZ-A	10900
1991-1986	2.5L (D,N) 153"	Taurus	Marked With O.E.#	F0DZ-9J460A,F0SE-AA, F0SZ-A,F2SE-AA,F2SZ-A, E6AE-A1A,E6AZ-A	10900

PRESSURE FEEDBACK EGR SENSORS

YEAR	ENGINE	MODEL	NOTE	OE #	PART #
FORD (Cont'd)					
6 CYL.					
1995	3.0L (1) 183"	Taurus	Marked With O.E.# (FFV)	F0SE-9J460AA,F0SZ-A, F2SE-AA,F2SZ-9J460A	10900
1995-1992	3.0L (U) 183"	Tempo	Marked With O.E.#	F0DZ-9J460A,F0SE-AA, F0SZ-A,F2SE-AA,F2SZ-A, E6AE-A1A,E6AZ-A	10900
1995-1986	3.0L (U) 183"	Taurus	Marked With O.E.# (Exc.FFV,SHO)	F0DZ-9J460A,F0SE-AA, F0SZ-A,F2SE-AA,F2SZ-A, E6AE-A1A,E6AZ-A	10900
1992-1990	3.0L (U) 183"	Probe	Marked With O.E.#	F0DZ-9J460A,F0SE-AA, F0SZ-A,F2SE-AA,F2SZ-A, E6AE-A1A,E6AZ-A	10900
1992-1989	3.0L (U) 183"	Taurus SHO	Marked With O.E.#	F0DZ-9J460A,F0SE-AA, F0SZ-A,F2SE-AA,F2SZ-A, E6AE-A1A,E6AZ-A	10900
1994-1993	3.2L (N) 195"	Taurus SHO	Marked With O.E.#	F0DZ-9J460A,F0SE-AA, F0SZ-A,F2SE-AA,F2SZ-A, E6AE-A1A,E6AZ-A	10900
1995	3.8L (R) 232"	Taurus	Marked With O.E.# (Exc.Cal)	F0SE-9J460AA,F0SZ-A, F2SE-AA,F2SZ-9J460A	10900
1995-1988	3.8L (R) 232"	Mustang, Taurus, Thunderbird	Marked With O.E.#	F0DZ-9J460A,F0SE-AA, F0SZ-A,F2SE-AA,F2SZ-A, E6AE-A1A,E6AZ-A	10900
1994-1988	3.8L (4) 232"	Taurus	Marked With O.E.#	F0DZ-9J460A,F0SE-AA, F0SZ-A,F2SE-AA,F2SZ-A, E6AE-A1A,E6AZ-A	10900
1993-1988	3.8L (4) 232"	Thunderbird	Marked With O.E.#	F0DZ-9J460A,F0SE-AA, F0SZ-A,F2SE-AA,F2SZ-A, E6AE-A1A,E6AZ-A	10900
8 CYL.					
1994-1992	4.6L (W) 281"	Crown Victoria	Marked With O.E.#	F0DZ-9J460A,F0SE-AA, F0SZ-A,F2SE-AA,F2SZ-A, E6AE-A1A,E6AZ-A	10900
1994-1992	4.6L (W) 281"	Crown Victoria	Marked With O.E.#	F2SE-9J460AA,F2SZ-A	10900
FORD TRUCK					
6 CYL.					
1992-1990	2.9L (T) 177"	Ranger	Marked With O.E.#	F0DZ-9J460A,F0SE-AA, F0SZ-A,F2SE-AA,F2SZ-A, E6AE-A1A,E6AZ-A	10900
1990-1986	2.9L (T) 177"	Bronco II, Ranger	Marked With O.E.#	F0DZ-9J460A,F0SE-AA, F0SZ-A,F2SE-AA,F2SZ-A, E6AE-A1A,E6AZ-A	10900
1994-1991	3.0L (U) 183"	Ranger	Marked With O.E.#	F0DZ-9J460A,F0SE-AA, F0SZ-A,F2SE-AA,F2SZ-A, E6AE-A1A,E6AZ-A	10900
1994-1993	4.0L (X) 241"	Aerostar, Explorer, Ranger	Marked With O.E.#	F0DZ-9J460A,F0SE-AA, F0SZ-A,F2SE-AA,F2SZ-A, E6AE-A1A,E6AZ-A	10900
LINCOLN					
6 CYL.					
1993-1988	3.8L (4) 232"	Continental	Marked With O.E.#	F0SZ-9J460A	10900
MERCURY					
4 CYL.					
1995-1994	1.9L (J) 116"	Tracer	Marked With O.E.#	F2SE-9J460AA,F2SZ-A	10900
1995-1991	1.9L (J) 116"	Tracer	Marked With O.E.#	F0DZ-9J460A,F0SE-AA, F0SZ-A,F2SE-AA,F2SZ-A, E6AE-A1A,E6AZ-A	10900
1987-1986	1.9L (J) 116"	Lynx	Marked With O.E.#	F2SE-9J460AA,F2SZ-A	10900

PRESSURE FEEDBACK EGR SENSORS

YEAR	ENGINE	MODEL	NOTE	OE #	PART #
MERCURY 4 CYL. (Cont'd)					
1994-1992	2.3L (S,X) 140"	Topaz	Marked With O.E.#	F0DZ-9J460A,F0SE-AA, F0SZ-A,F2SE-AA,F2SZ-A, E6AE-A1A,E6AZ-A	10900
1992-1988	2.3L (X) 140"	Topaz	Marked With O.E.#	F0DZ-9J460A,F0SE-AA, F0SZ-A,F2SE-AA,F2SZ-A, E6AE-A1A,E6AZ-A	10900
6 CYL.					
1995-1988	3.0L (U) 183"	Sable	Marked With O.E.#	F0DZ-9J460A,F0SE-AA, F0SZ-A,F2SE-AA,F2SZ-A, E6AE-A1A,E6AZ-A	10900
1994-1992	3.0L (U) 183"	Topaz	Marked With O.E.#	F2SE-9J460AA,F2SZ-A	10900
1995	3.8L (R) 232"	Sable	Marked With O.E.# (Exc.Cal)	F0SE-9J460AA,F0SZ-A, F2SE-AA,F2SZ-9J460A	10900
1995-1988	3.8L (R,4) 232"	Cougar, Sable	Marked With O.E.#	F0DZ-9J460A,F0SE-AA, F0SZ-A,F2SE-AA,F2SZ-A, E6AE-A1A,E6AZ-A	10900
8 CYL.					
1994-1992	4.6L (W) 281"	Cougar, Grand Marquis	Marked With O.E.#	F0DZ-9J460A,F0SE-AA, F0SZ-A,F2SE-AA,F2SZ-A, E6AE-A1A,E6AZ-A	10900

OEM INTERCHANGES

OEM#	PART#
FORD	
E6AE-9J460A1A	10900
E6AE-9J460A2A	10900
E6AZ-9J460A	10900
E9DE-9J460BA	10900
F0DZ-9J460A	10900
F0SE-9J460AA	10900
F0SZ-9J460A	10900
F2AE-9J460AA	10900
F2AE-9J460AB	10900
F2AZ-9J460A	10900
F2SE-9J460AA	10900
F2SZ-9J460A	10900
F4CE-9J460AA	10907
F4CZ-9J460A	10907

NUMERICAL LIST

PART#	APPLICATION & YEAR	FIG#
10900	FORD 86-94, LINC, MERC 88-94	1
10907	FORD 94-95	2



FIG. 1



FIG. 2