

CONQUEST®

MASS AIR FLOW SENSORS (MAF)

WHAT THEY DO

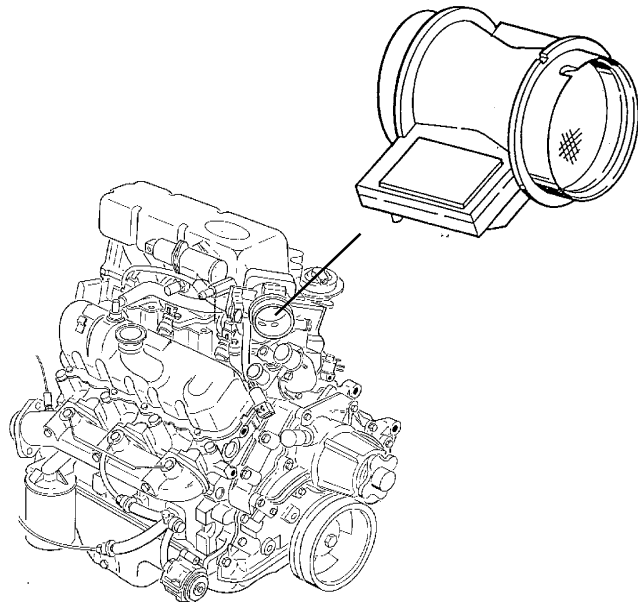
Measure the weight of the air entering the engine. This information is used by the computer to supply the correct amount of fuel.

FAILURE SYMPTOMS

Hard start, hesitation, stalling.

MAINTENANCE/SERVICE

Check for trouble codes and tap sensor lightly. Replace if engine stumbles when tapping sensor.



YEAR	ENGINE	FOOTNOTE	OE #	PART #
BUICK				
6 CYL.				
Century				
1988-1987	2.8L (W) 173"		25007877	2000
1993-1989	3.3L (N) 204"		24502966, 25535419	20010
1988-1987	3.8L (3) 231"		25007872	20003
1986-1985	3.8L (3) 231"		25007539	20003
1984	3.8L (3) 231"		25007652	20003
1986	3.8L (B) 231"		25007539	20003
Delta 88				
1993-1992	3.8L (L) 231"		24502967	20010
Electra				
1988-1987	3.8L (3) 231"		25007834	20003
1985	3.8L (3) 231"		25007539, 25007652	20003
1986	3.8L (B) 231"		25007936	20003
1991-1988	3.8L (C) 231"		25535419	20010
1993-1991	3.8L (L) 231"		24502967	20010
LeSabre				
1986	3.0L (L) 181"		25007540	20003
1988-1987	3.8L (3) 231"		25007834	20003
1986	3.8L (3) 231"		25007936	20003
1986	3.8L (B) 231"		25007936	20003
1991-1988	3.8L (C) 231"		25535419	20010
1993-1991	3.8L (L) 231"		24502967	20010

MASS AIR FLOW SENSORS

YEAR	ENGINE	FOOTNOTE	OE #	PART #
BUICK 6 CYL. (Cont'd)				
Park Avenue				
1988-1987	3.8L (3) 231"		25007834	20003
1985	3.8L (3) 231"		25007539,25007652	20003
1986	3.8L (B) 231"		25007936	20003
1991-1988	3.8L (C) 231"		25535419	20010
1993-1991	3.8L (L) 231"		24502967	20010
Reatta				
1990-1988	3.8L (C) 231"		24502966, 25532799	20010
1991	3.8L (L) 231"		24502967	20010
Regal				
1988	2.8L (W) 173"		25007877	20000
1987-1986	3.8L (7) 231"	Turbo	25007866	20009
1985	3.8L (9) 231"	Turbo	25007699	20009
1984	3.8L (9) 231"	Turbo	25007653	20009
1993-1991	3.8L (L) 231"		24502967	20010
Regal Grand National				
1987-1986	3.8L (7) 231"	Turbo	25007866	20009
Riviera				
1987	3.8L (3) 231"		25007834	20003
1985	3.8L (9) 231"	Turbo	25007699	20009
1984	3.8L (9) 231"	Turbo	25007653	20009
1986	3.8L (B) 231"		25007540	20003
1990-1988	3.8L (C) 231"		24502966, 25532799	20010
1993-1991	3.8L (L) 231"		24502967	20010
Skylark				
1986	2.8L (W) 173"		25043940	20002
1988-1987	3.0L (L) 181"		25007834	20003
1986	3.0L (L) 181"		25007540	20003
1993-1989	3.3L (N) 204"		24502966, 25535419	20010
Somerset				
1988-1987	3.0L (L) 181"		25007834	20003
1986-1985	3.0L (L) 181"		25007540	20003
1992-1989	3.3L (N) 204"		24502966	20010
CADILLAC				
6 CYL. Cimarron				
1987	2.8L (W) 173"		25007799	20000
1986-1985	2.8L (W) 173"		25043941	20002
CHEVROLET				
6 CYL. Beretta				
1988-1987	2.8L (W) 173"		25007799	20000
Camaro				
1989-1985	2.8L (S) 173"		25007557	20001
Cavalier				
1987	2.8L (W) 173"		25007799	20000
1986-1985	2.8L (W) 173"		25043941	20002
Celebrity				
1988-1987	2.8L (W) 173"		25007877	20000
1986-1985	2.8L (W) 173"		25043940	20002
Citation				
1985	2.8L (W) 173"		25043940	20002
Corsica				
1988-1987	2.8L (W) 173"		25007799	20000

MASS AIR FLOW SENSORS

YEAR	ENGINE	FOOTNOTE	OE #	PART #
CHEVROLET (Cont'd)				
8 CYL. Camaro Z28				
1989-1988	5.0L (F) 305"		10055877	20013
1987-1986	5.0L (F) 305"		14094712	20012
1985	5.0L (F) 305"		14081243	20011
1989-1988	5.7L (8) 350"		10055877	20013
1987-1986	5.7L (8) 350"		14094712	20012
Corvette				
1989-1988	5.7L (8) 350"		10055877	20013
1987-1986	5.7L (8) 350"		14094712	20012
1985	5.7L (8) 350"		14081243	20011
OLDSMOBILE				
6 CYL. Achieva				
1994-1992	3.3L (N) 204"		24502966	20010
Calais				
1988-1987	3.0L (L) 181"		25007834, 25007924	20003
1986-1985	3.0L (L) 181"		25007540, 25007887, 25007889	20003
1991-1989	3.3L (N) 204"		25535419	20010
Ciera				
1988-1987	2.8L (W) 173"		25007877	20000
1986	2.8L (W) 173"		25043940	20002
1986-1985	3.8L (3) 231"		25007539	20003
Cutlass				
1988	2.8L (W) 173"		25007877	20000
1986-1985	3.8L (3) 231"		25007539	20003
Cutlass Ciera				
1993-1989	3.3L (N) 204"		25535419	20010
1988-1987	3.8L (3) 231"		25007872	20003
1984	3.8L (3) 231"		25007652	20003
1986	3.8L (B) 231"		25007539	20003
Delta 88				
1988-1986	3.8L (3) 231"		25007834	20003
1986	3.8L (B) 231"		25007936	20003
1991-1988	3.8L (C) 231"		25532799	20010
1993-1992	3.8L (L) 231"		24502967	20010
Firenza				
1987	2.8L (W) 173"		25007799	20000
1986-1985	2.8L (W) 173"		25043941	20002
Ninety-Eight				
1991	3.8L (C) 231"		24502966	20010
1993-1991	3.8L (L) 231"		24502967	20010
Regency 98				
1988-1987	3.8L (3) 231"		25007834	20003
1985	3.8L (3) 231"		25007539, 25007652	20003
1986	3.8L (B) 231"		25007936	20003
1990-1988	3.8L (C) 231"		25532799	20010
Toronado				
1987	3.8L (3) 231"		25007834	20003
1986	3.8L (B) 231"		25007540, 25007936	20003
1990-1988	3.8L (C) 231"		25532799	20010
1993-1991	3.8L (L) 231"		24502967	20010
Toronado Touring Sedan				
1988	3.8L (3) 231"		25007834	20003
1990-1988	3.8L (C) 231"		25532799	20010

MASS AIR FLOW SENSORS

YEAR	ENGINE	FOOTNOTE	OE #	PART #
OLDSMOBILE 6 CYL. (Cont'd)				
Trofeo				
1990-1988	3.8L (C) 231"		25532799	20010
PONTIAC				
6000 6 CYL.				
1988-1987	2.8L (W) 173"		25007877	20000
1986-1985	2.8L (W) 173"		25043940	20002
Bonneville				
1988-1987	3.8L (3) 231"		25007834	20003
1991-1988	3.8L (C) 231"		25532799	20010
Firebird				
1989-1985	2.8L (S) 173"		25007668	20002
1989	3.8L (7) 231"	Turbo, Y82 Package	25007866	20009
Grand AM				
1986-1985	3.0L (L) 181"		25007540	20003
1993-1992	3.3L (N) 204"		24502966, 25535419	20010
Grand Prix				
1988	2.8L (W) 173"		25007877	20000
STE				
1988-1987	2.8L (W) 173"		25007877	20000
1986-1985	2.8L (W) 173"		25043940	20002
Trans AM				
1989	3.8L (7) 231"	Turbo, Y82 Package	25007866	20009
8 CYL.				
Firebird				
1989-1988	5.0L (F) 305"		10055877	20013
1987-1986	5.0L (F) 305"		14094712	20012
1985	5.0L (F) 305"		14081243	20011
1989-1988	5.7L (8) 350"		10055877	20013
1987-1986	5.7L (8) 350"		14094712	20012
Trans AM				
1989-1988	5.0L (F) 305"		10055877	20013
1987-1986	5.0L (F) 305"		14094712	20012
1985	5.0L (F) 305"		14081243	20011
1989-1988	5.7L (8) 350"		10055877	20013
1987-1986	5.7L (8) 350"		14094712	20012

OEM INTERCHANGES

OEM#	PART#	OEM#	PART#	OEM#	PART#	OEM#	PART#
BOSCH		GENERAL MOTORS		25007557	20001	25007834	20003
				25007629	20002	25007834	20003
0-280-213-002	20011	10037437	20011	25007632	20003	25007835	20003
0-280-213-004	20013	10042041	20012	25007636	20003	25007861	20009
0-280-213-009	20013	10046030	20012	25007650	20003	25007866	20009
		10055877	20013	25007651	20001	25007872	20003
		14081243	20011	25007652	20003	25007877	20000
		14094712	20012	25007653	20009	25007887	20003
		22048225	20003	25007665	20003	25007899	20003
		24502966	20010	25007668	20002	25007924	20003
		25007534	20002	25007698	20009	25007936	20003
		25007539	20003	25007699	20009	25043940	20002
		25007540	20003	25007770	20000	25043941	20002
		25007554	20002	25007771	20000	25532799	20010
		25007555	20002	25007799	20000	25535419	20010

MASS AIR FLOW SENSORS

ILLUSTRATED PARTS GUIDE

NUMERICAL LIST

PART#	APPLICATION & YEAR	FIG#
20000	BUICK, CHEV, OLDS, PONT 87-88, CAD 87	1
20001	CHEV 85-89.....	2
20002	BUICK 85, CAD, CHEV, OLDS 85-86, PONT 85-89.....	3
20003	BUICK, OLDS 84-88, PONT 85-88	4
20009	BUICK 84-87	2
20010	BUICK, OLDS 88-93, PONT 88-92	5
20011	CHEV, PONT 85	6
20012	CHEV, PONT 86-87	6
20013	CHEV, PONT 88-89	6



FIG. 1



FIG. 2



FIG. 3



FIG. 4



FIG. 5



FIG. 6