

INTAKE AIR (IAT) TEMPERATURE SENSORS AIR CHARGE (ACT) MANIFOLD AIR (MAT) AIR TEMPERATURE SENSORS (THA)

WHAT THEY DO

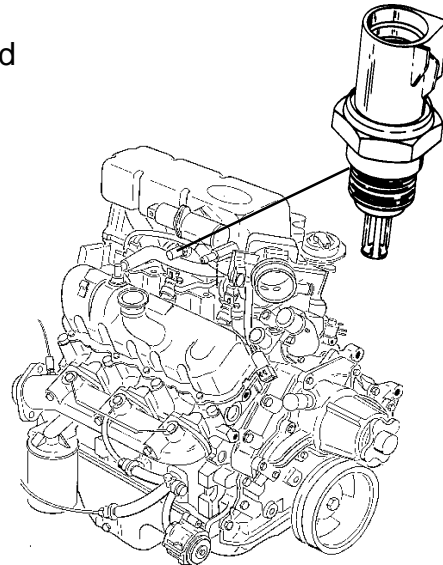
Measure air temperature in the intake manifold and signal computer to adjust air/fuel mixture.

FAILURE SYMPTOMS

"Check Engine" light is on continuously, hesitation, poor mileage or rich exhaust odor, poor performance and economy.

MAINTENANCE/SERVICE

Inspect for damage or corrosion on terminals when trouble codes indicate problem in this circuit. Check sensor for carbon accumulation or contaminants which can cause false readings.



YEAR	ENGINE	FOOTNOTE	OE #	PART #
------	--------	----------	------	--------

ACURA TRUCK

6 CYL.				
SLX				
1999-1996	3.2L (W) 193"		8-12160-244-0	12130
1998	3.5L (X) 215"		8-12160-244-0	12130

BENTLEY

8 CYL.				
Turbo R				
1994-1993	6.8L 415"		0-280-130-039, 92860614300	12122

BMW

6 CYL.				
325i				
1993-1992	2.5L (M50) 152"	DOHC,24V	0-280-130-039, 92860614300	12122
325is				
1993-1992	2.5L (M50) 152"	DOHC,24V	0-280-130-039, 92860614300	12122
525i				
1992-1991	2.5L (M50) 152"	DOHC,24V	0-280-130-039, 92860614300	12122

BUICK

4 CYL.				
Century				
1996-1993	2.2L (4) 134"		25037352, 12160244	12130
1992-1988	2.5L (R) 151"		25037225	12101
1987	2.5L (R) 151"		25036751	12101
1987	2.5L (R) 151"		25036751	12101

INTAKE AIR TEMPERATURE SENSORS

YEAR	ENGINE	FOOTNOTE	OE #	PART #
BUICK 4 CYL. (Cont'd)				
Skyhawk				
1986-1985	1.8L (J) 112"		25036751	12101
1984	1.8L (J) 112"		25036094	12102
1989-1987	2.0L (1) 121"		25036751	12101
1988-1987	2.0L (K) 121"	w/Air Cleaner #25098251	25037309	12115
1988-1987	2.0L (K) 121"		25036751	12101
1987	2.0L (M) 121"		25036751	12101
Skylark				
1994-1992	2.3L (3) 140"		25036979	12001
1995	2.3L (D) 140"		25036979	12001
1995	2.3L (D) 140"		25037352	12130
1991	2.3L (D) 140"		25036979	12001
1990	2.3L (D) 140"		25036751	12101
1989-1988	2.3L (D) 140"	Clip-on	25037195	12115
1998-1996	2.4L (T) 146"		25037352	12130
1991-1988	2.5L (U) 151"		25037225	12101
Somerset				
1995	2.3L (D) 140"		25037352	12130
1987	2.5L (U) 151"		25036751	12101
6 CYL.				
Century				
1989	2.8L (W) 173"	Clip-on	25037195	12115
1987-1986	2.8L (W) 173"		25036751	12101
1987-1986	2.8L (W) 173"		25036751	12101
1985	3.0L (L) 184"		25037034	12101
1985	3.0L (L) 184"		25037034	12101
2004-2000	3.1L (J) 189"		12160244	12130
1999-1994	3.1L (M) 189"		25037352, 112160244	12130
1993	3.3L (N) 204"		25037352, 12160244	12130
2003-1997	3.8L (1) 231"		12160244	12130
1988-1986	3.8L (3) 231"		25036751	12101
1988-1986	3.8L (3) 231"		25036751	12101
1986	3.8L (B) 231"		25036751	12101
2003-1997	3.8L (K) 231"		12160244	12130
Electra				
1985	3.0L (L) 184"		25037034	12101
1988-1987	3.8L (3) 231"		25036751	12101
1986	3.8L (B) 231"		25036751	12101
1990-1988	3.8L (C) 231"		25036751	12101
Grand National				
1987-1986	3.8L (7) 231"	Turbo	25036751	12101
LeSabre				
1986	3.0L (L) 184"		25037034	12101
1988-1986	3.8L (3) 231"		25036751	12101
1986	3.8L (B) 231"		25036751	12101
1991-1988	3.8L (C) 231"		25036751	12101
2004-1996	3.8L (K) 231"		25037352, 12160244	12130
1995-1993	3.8L (L) 231"		25037357	12116
1992	3.8L (L) 231"		25037313	12116
Park Avenue				
2003-1996	3.8L (1) 231"	SC	25037352, 12110319, 12160244	12130
1995-1992	3.8L (1) 231"	SC	25036357	12116
2003-1995	3.8L (K) 231"		25037352, 12160244	12130
1994-1993	3.8L (L) 231"		25037357	12116
1992-1991	3.8L (L) 231"		25037313, 357, 857	12116

INTAKE AIR TEMPERATURE SENSORS

YEAR	ENGINE	FOOTNOTE	OE #	PART #
BUICK 6 CYL. (Cont'd)				
Reatta				
1990-1988	3.8L (C) 231"		25036751	12101
1991	3.8L (L) 231"		25036751	12101
Regal				
1990-1989	2.8L (W) 173"	Clip-on	25037195	12115
1989-1988	2.8L (W) 173"		25036751	12101
2003-2000	3.1L (J) 189"		12160244	12130
1999-1994	3.1L (M) 189"		25037352	12130
1993-1992	3.1L (T) 189"		25037357	12116
1991-1989	3.1L (T) 189"	Clip-on	25037195	12115
2004-1997	3.8L (1) 231"		25037352	12130
2004-1996	3.8L (K) 231"		25037352, 12160244	12130
1995-1994	3.8L (L) 231"		25037352, 12160244	12130
1995-1993	3.8L (L) 231"		25037357	12116
1993-1991	3.8L (L) 231"	Clip-on	25037195	12115
Regal "T" Type				
1987-1986	3.8L (7) 231"	Turbo	25036751	12101
Riviera				
1987	3.8L (3) 231"		25036751	12101
1986	3.8L (B) 231"		25036751	12101
1990-1988	3.8L (C) 231"		25036751	12101
1993-1991	3.8L (L) 231"		25036751	12101
Skylark				
1985	2.8L (W) 173"		25037034	12101
1985	2.8L (W) 173"		25036751	12101
1988-1986	3.0L (L) 184"		25037034	12101
1998-1994	3.1L (M) 189"		25037352	12130
Somerset				
1987-1985	3.0L (L) 184"		25037034	12101
1995	3.1L (M) 189"		25037352	12130
8 CYL.				
Roadmaster				
1993-1991	5.0L (E) 305"		25037313	12116
1993-1991	5.7L (7) 350"		25037357	12116
1996-1994	5.7L (P) 350"		25037352	12130
BUICK TRUCK				
6 CYL.				
Rendevous				
2004-2002	3.4L (E) 207"		12160244	12130
CADILLAC				
6 CYL.				
Cimarron				
1988	2.8L (W) 173"	Clip-on	25037195	12115
1986-1985	2.8L (W) 173"		25036751	12101
8 CYL.				
Allante				
1988-1987	4.1L (7) 252"		25036751	12101
1992-1989	4.5L (8) 275"		25036751	12101
Brougham				
1985-1984	4.1L (8) 252"		25036094	12102
1985	4.1L (8) 252"		25036751	12101
1992	5.0L (E) 305"		25037313	12116
1996-1994	5.7L (P) 350"		25037352	12130

INTAKE AIR TEMPERATURE SENSORS

YEAR	ENGINE	FOOTNOTE	OE #	PART #
CADILLAC 8 CYL. (Cont'd)				
Concours				
1996-1995	4.6L (9) 281"	w/OE #	25037352	12130
1996-1994	4.6L (9) 281"	w/OE #	25171651	12116
1996-1995	4.6L (Y) 281"	w/OE #	25037352	12130
1996-1994	4.6L (Y) 281"	w/OE #	25171651	12116
DeVille				
1987-1986	4.1L (8) 252"		25036751	12101
1985	4.1L (8) 252"		25036751	12101
1985	4.1L (8) 252"		25036094	12102
1983-1982	4.1L (8) 252"	FWD	25036094	12102
1990	4.5L (3) 275"	FWD	25036751	12101
1989-1988	4.5L (5) 275"	FWD	25036751	12101
1999-1996	4.6L (9) 281"		25171651	12116
1999-1996	4.6L (Y) 281"		25171651	12116
1995-1991	4.9L (B) 301"	FWD	25036751	12101
1983-1982	6.0L (9) 368"		25036094	12102
1981	6.0L (9) 368"		25036094	12102
1980	6.0L (9) 368"		8993395	12108
Eldorado				
1987-1986	4.1L (8) 252"		25036751	12101
1985-1982	4.1L (8) 252"		25036094	12102
1985	4.1L (8) 252"		25036751	12101
1990	4.5L (3) 275"		25036751	12101
1989-1988	4.5L (5) 275"		25036751	12101
1996-1995	4.6L (9) 281"		25171651	12116
1995	4.6L (9) 281"		25037352	12130
1996-1995	4.6L (Y) 281"		25171651	12116
1995	4.6L (Y) 281"		25037352	12130
1992-1991	4.9L (B) 301"		25036751	12101
1981	6.0L (9) 368"		25036094	12102
1980	6.0L (9) 368"		8993395	12108
Fleetwood				
1987-1986	4.1L (8) 252"		25036751	12101
1985-1984	4.1L (8) 252"		25036094	12102
1985	4.1L (8) 252"		25036751	12101
1985	4.1L (8) 252"	FWD	25036751	12101
1985	4.1L (8) 252"		25036094	12102
1983-1982	4.1L (8) 252"	FWD	25036094	12102
1990	4.5L (3) 275"	FWD	25036751	12101
1989-1988	4.5L (5) 275"	FWD	25036751	12101
1992-1991	4.9L (B) 301"	FWD	25036751	12101
1992	5.0L (E) 305"		25037313	12116
1993-1990	5.7L (7) 350"		25037313	12116
1996-1994	5.7L (P) 350"		12160244	12130
1983-1982	6.0L (9) 368"		25036094	12102
1981	6.0L (9) 368"		25036094	12102
1980	6.0L (9) 368"		8993395	12108
Seville				
1987-1986	4.1L (8) 252"		25036751	12101
1985-1982	4.1L (8) 252"		25036094	12102
1985	4.1L (8) 252"		25036751	12101
1990	4.5L (3) 275"		25036751	12101
1989-1988	4.5L (5) 275"		25036751	12101
1999-1998	4.6L (9) 281"		25037352	12130
1997-1996	4.6L (9) 281"		25171651	12116

INTAKE AIR TEMPERATURE SENSORS

YEAR	ENGINE	FOOTNOTE	OE #	PART #
CADILLAC 8 CYL. Seville (Cont'd)				
1999-1998	4.6L (Y) 281"		25037352	12130
1997-1996	4.6L (Y) 281"		25171651	12116
1992-1991	4.9L (B) 301"		25036751	12101
1981	6.0L (9) 368"		25036094	12102
1980	6.0L (9) 368"		8993395	12108
CADILLAC TRUCK				
8 CYL.				
Escalade				
2000-1999	5.7L (R) 350"		12160244	12130
CHEVROLET				
4 CYL.				
Beretta				
1990-1987	2.0L (1) 121"		25036751	12101
1996-1994	2.2L (4) 134"		12160244, 25037352	12130
1993-1992	2.2L (4) 134"		25037357, 25171651	12116
1991-1990	2.2L (G) 134"		25037309	12115
1994-1992	2.3L (A) 140"		25036979	12001
1990-1987	2.3L (A) 140"		25036751, 25036979	12001
Cavalier				
1990-1987	2.0L (1) 121"		25036751	12101
2002-1995	2.2L (4) 134"		25037352, 12160244	12130
1994-1992	2.2L (4) 134"		25037357	12116
2004-2003	2.2L (6) 134"		12160244	12130
2004-2002	2.2L (F) 134"		12160244	12130
1991-1990	2.2L (G) 134"		25037309	12115
1995	2.3L (D) 140"	w/OE #	12160244	12130
1995	2.3L (D) 140"	w/OE #	12146312	12001
2002-1996	2.4L (T) 146"		25037352, 12160244	12130
Celebrity				
1990-1988	2.5L (R) 151"		25037225	12101
1987	2.5L (R) 151"		25036751	12101
Classic				
2004	2.2L (F) 134"		12160244	12130
Corsica				
1990-1987	2.0L (1) 121"		25036751	12101
1996-1994	2.2L (4) 134"		25037352	12130
1993-1992	2.2L (4) 134"		25037357	12116
1991-1990	2.2L (G) 134"		25037309	12115
1994-1992	2.3L (A) 140"		25036979	12001
1990-1987	2.3L (A) 140"		25036751, 25036979	12001
Lumina				
1992-1990	2.5L (R) 151"		25037225	12101
Malibu				
2004	2.2L 134"		12160244	12130
1999-1997	2.4L (T) 146"		25037352, 12160244	12130
Spectrum				
1989-1985	1.5L (9) 92"		25036751	12001
6 CYL.				
Beretta				
1989	2.8L (W) 173"	Clip-on	25037195	12115
1995-1994	3.1L (M) 189"		25037352	12130
1993-1990	3.1L (T) 189"	w/OE #, Clip-on	25037195	12115
1993-1990	3.1L (T) 189"	w/OE #	25037357	12116

INTAKE AIR TEMPERATURE SENSORS

YEAR	ENGINE	FOOTNOTE	OE #	PART #
CHEVROLET 6 CYL. (Cont'd)				
 Camaro				
1989-1985	2.8L (S) 173"		25036751, 25037034	12101
1992-1990	3.1L (T) 189"		25036751	12101
1995-1993	3.4L (S) 207"		12160244	12130
2002-1995	3.8L (K) 231"		12160244, 25037352	12130
 Caprice				
1997-1994	4.3L (W) 265"		25037352	12130
1993-1992	4.3L (Z) 262"		25037357	12116
 Cavalier				
1989-1988	2.8L (W) 173"	Clip-on	25037195	12115
1988-1985	2.8L (W) 173"		25036751	12101
1993-1990	3.1L (T) 189"	Clip-on	25037195	12115
 Celebrity				
1989	2.8L (W) 173"	Clip-on	25037195	12115
1986-1985	2.8L (W) 173"		25036751	12101
1990	3.1L (T) 189"	Clip-on	25037195	12115
 Citation				
1985	2.8L (W) 173"		25036751	12101
 Corsica				
1989	2.8L (W) 173"	Clip-on	25037195	12115
1995-1994	3.1L (M) 189"		25037352	12130
 Impala				
2004-2000	3.4L (E) 207"		12160244	12130
2004	3.8L (1) 231"		12160244	12130
2004-2000	3.8L (K) 231"		12160244	12130
 Lumina				
2001-2000	3.1L (J) 191"		12160244	12130
1999-1995	3.1L (M) 189"		12160244, 25037352	12130
1994-1990	3.1L (T) 189"	w/OE #,In Air Cleaner	25037357	12116
1994	3.1L (T) 189"	w/OE #	12160244	12130
1990	3.1L (T) 189"	w/OE #,Clip-on	25037195	12115
1993	3.1L (W) 189"	w/OE #	25171651	12116
1993	3.1L (W) 189"		25037357	12116
1997-1995	3.4L (X) 207"		12160244, 25037352	12130
1994-1991	3.4L (X) 207"		25037357	12116
1999-1998	3.8L (K) 231"		12160244, 25037352	12130
 Malibu				
2003-1999	3.1L (J) 189"		25037352	12130
1999-1997	3.1L (M) 189"		12160244, 25037352	12130
 Monte Carlo				
1999-1995	3.1L (M) 189"		25037352	12130
2004-2000	3.4L (E) 207"		12160244	12130
1997-1995	3.4L (X) 207"		12160244, 25037352	12130
1995-1994	3.4L (X) 207"		25037357	12116
2004	3.8L (1) 231"		12160244	12130
2004-2000	3.8L (K) 231"		12160244	12130
1999-1998	3.8L (K) 231"		12160244, 25037352	12130
8 CYL.				
 Camaro				
1993-1991	5.0L (E) 305"	w/HJ on Air Cleaner	25037195, 223	12115
1993-1991	5.0L (E) 305"	w/HJ on Air Cleaner	25037229, 357	12116
1992-1989	5.0L (E) 305"		25037313	12116
1991-1988	5.0L (E) 305"		25036751	12101
1992-1985	5.0L (F) 305"	2nd Design	25036979	12001
1985	5.0L (F) 305"	1st Design	25036751	12101

INTAKE AIR TEMPERATURE SENSORS

YEAR	ENGINE	FOOTNOTE	OE #	PART #
CHEVROLET 8 CYL. Camaro (Cont'd)				
1992-1987	5.7L (8) 350"		25036979	12001
2002-1998	5.7L (G) 350"		12160244, 25037352	12130
1997-1994	5.7L (P) 350"		12160244, 25037352	12130
Caprice				
1991-1989	5.0L (E) 305"		25037313	12116
1993-1991	5.7L (7) 350"	w/HJ on Air Cleaner	25037229, 313, 357	12116
1993-1991	5.7L (7) 350"	w/HJ on Air Cleaner	25037195, 223	12115
1991	5.7L (7) 350"		25037313	12116
1996-1994	5.7L (P) 350"		25037352	12130
1996-1994	5.7L (P) 350"		25037352	12130
Corvette				
1996	5.7L (5) 350"		12160244, 25037352	12130
1991-1985	5.7L (8) 350"	2nd Design	25036979	12001
1985	5.7L (8) 350"	1st Design	25036751	12101
2000-1996	5.7L (G) 350"		12160244, 25037352	12130
1995-1990	5.7L (J) 350"	LTS	25036751	12101
1993-1990	5.7L (J) 350"	Under Plenum	25036979	12001
1996-1992	5.7L (P) 350"		25037352	12130
Impala				
1996-1994	5.7L (P) 350"	w/WX3	25037352	12130
CHEVROLET TRUCK				
4 CYL.				
Astro				
1990-1988	2.5L (E) 151"		25037225	12101
1987	2.5L (E) 151"		25036751	12101
L Series				
1990-1988	2.5L (E) 151"		25037225	12101
M Series				
1990-1988	2.5L (E) 151"		25037225	12101
S10				
2003-1994	2.2L (4) 134"		12160244, 25037352	12130
2002-2000	2.2L (5) 134"		12160244	12130
1993-1991	2.5L (A) 151"		25037225	12101
1991-1988	2.5L (E) 151"		25037225	12101
1988-1987	2.5L (E) 151"		25037225	12101
1987	2.5L (E) 151"		25036751	12101
T10				
2003-1994	2.2L (4) 134"		12160244, 25037352	12130
2000-1994	2.2L (4) 134"		25037352	12130
2002-2000	2.2L (5) 134"		12160244	12130
1993-1991	2.5L (A) 151"		25037225	12101
1991-1988	2.5L (E) 151"		25037225	12101
1988-1987	2.5L (E) 151"		25037225	12101
1987	2.5L (E) 151"		25036751	12101
Z1 Post Office Vehicle				
1987	2.5L (E) 151"		25036751	12101
6 CYL.				
Astro				
2001-1992	4.3L (W) 262"		25037352	12130
2004-2002	4.3L (X) 262"		12160244	12130
1994-1990	4.3L (Z) 262"		25037352	12130
Blazer				
2002-1992	4.3L (W) 262"		25037352	12130
2004-2003	4.3L (X) 262"		12160244	12130
C10				
1998-1996	4.3L (W) 262"		25037352	12130

INTAKE AIR TEMPERATURE SENSORS

YEAR	ENGINE	FOOTNOTE	OE #	PART #
CHEVROLET TRUCK 6 CYL. (Cont'd)				
Express				
2002-1999	4.3L (W) 262"		12160244	12130
2002-1999	4.3L (W) 262"		12160244	12130
G10				
1998-1996	4.3L (W) 262"		25037352	12130
G20				
1998-1996	4.3L (W) 262"		25037352	12130
K10				
1998-1996	4.3L (W) 262"		25037352	12130
L Series				
2001-1992	4.3L (W) 262"		25037352	12130
2003-2002	4.3L (X) 262"		12160244	12130
1994-1990	4.3L (Z) 262"		25037352	12130
Lumina				
1996	3.4L (E) 207"		25037352	12130
1995-1992	3.8L (L) 231"		25037313	12116
M Series				
2001-1992	4.3L (W) 262"		25037352	12130
2003-2002	4.3L (X) 262"		12160244	12130
1994-1990	4.3L (Z) 262"		25037352	12130
P30				
1999-1996	4.3L (W) 262"		25037352	12130
S10				
2002-1992	4.3L (W) 262"		25037352	12130
2002-1992	4.3L (W) 262"		25037352	12130
2004-2003	4.3L (X) 262"		12160244	12130
2004-1995	4.3L (X) 262"		12160244	12130
1995	4.3L (Z) 262"		25037352	12130
T10				
2002-1992	4.3L (W) 262"		25037352	12130
2002-1992	4.3L (W) 262"		25037352	12130
2004-2003	4.3L (X) 262"		12160244	12130
2004-2003	4.3L (X) 262"		12160244	12130
Trailblazer				
2004-2002	4.2L (S) 256"		12160244	12130
2001-1999	4.3L (W) 262"		12160244	12130
Venture				
2004-1997	3.4L (E) 207"		12160244, 25037352	12130
8 CYL.				
Blazer				
1994	6.5L (S) 395"		25037334	12101
C10				
1999-1996	5.0L (M) 305"		25037352	12130
1999-1996	5.7L (R) 350"		25037352	12130
1998-1994	6.5L (F) 395"		25037334	12101
1995-1994	6.5L (P) 395"		12160244	12130
1998-1994	6.5L (S) 395"		25037334	12101
C20				
1999-1996	5.0L (M) 305"		25037352	12130
2000-1996	5.7L (R) 350"		25037352	12130
2000-1994	6.5L (F) 395"		25037334	12101
1995-1994	6.5L (P) 395"		12160244	12130
1998-1994	6.5L (S) 395"		25037334	12101
2000-1996	7.4L (J) 454"		25037352	12130

INTAKE AIR TEMPERATURE SENSORS

YEAR	ENGINE	FOOTNOTE	OE #	PART #
CHEVROLET TRUCK 8 CYL. (Cont'd)				
C30				
2000-1996	5.7L (R) 350"		25037352	12130
2002-2001	6.5L (F) 395"	HD Chassis	25037334	12101
2000-1994	6.5L (F) 395"		25037334	12101
1998-1997	6.5L (S) 395"		25037334	12101
2000-1996	7.4L (J) 454"		25037352	12130
C310				
2002-2001	6.5L (F) 395"		25037334	12101
C314				
2002-2001	6.5L (F) 395"		25037334	12101
C318				
2002-2001	6.5L (F) 395"		25037334	12101
Express				
2002-1999	5.0L (M) 305"		12160244	12130
2002-1999	5.0L (M) 305"		12160244	12130
2002-1999	5.0L (M) 305"		12160244	12130
2002-1999	5.7L (R) 350"		12160244	12130
2002-1999	5.7L (R) 350"		12160244	12130
2002-1999	6.5L (F) 395"		25037334	12101
2002-1999	6.5L (F) 395"		25037334	12101
1997-1996	6.5L (F) 395"		25037334	12101
1997	6.5L (F) 395"		25037334	12101
2002-2001	8.1L (G) 496"		12160244	12130
G10				
1999-1996	5.0L (M) 305"		25037352	12130
2000-1996	5.7L (R) 350"		25037352	12130
2000-1996	7.4L (J) 454"		25037352	12130
G20				
1999-1996	5.0L (M) 305"		25037352	12130
2000-1996	5.7L (R) 350"		25037352	12130
1998-1996	6.5L (F) 395"		25037334	12101
1995-1994	6.5L (P) 395"		25037352	12130
2000-1996	7.4L (J) 454"		25037352	12130
G30				
1999-1996	5.0L (M) 305"		25037352	12130
2000-1996	5.7L (R) 350"		25037352	12130
1998-1996	6.5L (F) 395"		25037334	12101
2000-1996	7.4L (J) 454"		25037352	12130
K10				
1999-1996	5.0L (M) 305"		25037352	12130
1999-1996	5.7L (R) 350"		25037352	12130
1998-1994	6.5L (F) 395"		25037334	12101
1995-1994	6.5L (P) 395"		12160244	12130
1998-1994	6.5L (S) 395"		25037334	12101
K20				
1999-1996	5.0L (M) 305"		25037352	12130
2000-1996	5.7L (R) 350"		25037352	12130
2000-1994	6.5L (F) 395"		25037334	12101
1998-1994	6.5L (S) 395"		25037334	12101
2000-1996	7.4L (J) 454"		25037352	12130
K30				
2000-1996	5.7L (R) 350"		25037352	12130
2002-2001	6.5L (F) 395"	HD Chassis	25037334	12101
2000-1994	6.5L (F) 395"		25037334	12101
2000	6.5L (F) 395"		25037334	12101

INTAKE AIR TEMPERATURE SENSORS

YEAR	ENGINE	FOOTNOTE	OE #	PART #
CHEVROLET TRUCK 8 CYL. K30 (Cont'd)				
1998-1997	6.5L (S) 395"		25037334	12101
2000-1996	7.4L (J) 454"		25037352	12130
MD BUS				
1998-1997	6.5L (F) 395"		25037334	12101
P30				
2000-1996	5.7L (R) 350"		25037352	12130
1999-1994	6.5L (F) 395"		25037334	12101
2002-2001	6.5L (Y) 395"		12160244	12130
1999-1998	7.4L (B) 454"		25037352	12130
2000-1996	7.4L (J) 454"		25037352	12130
Silverado				
1999-1996	5.0L (M) 305"		25037352	12130
1999-1996	5.0L (M) 305"		25037352	12130
2000-1996	5.7L (R) 350"		25037352	12130
2000-1996	5.7L (R) 350"		25037352	12130
1999-1996	5.7L (R) 350"		25037352	12130
2002-2001	6.5L (F) 395"	HD Chassis	25037334	12101
2000-1994	6.5L (F) 395"		25037334	12101
2000-1994	6.5L (F) 395"		25037334	12101
1998-1994	6.5L (F) 395"		25037334	12101
1995-1994	6.5L (P) 395"		12160244	12130
1995-1994	6.5L (P) 395"		12160244	12130
1998-1997	6.5L (S) 395"		25037334	12101
1998-1994	6.5L (S) 395"		25037334	12101
1998-1994	6.5L (S) 395"		25037334	12101
2000-1996	7.4L (J) 454"		25037352	12130
2000-1996	7.4L (J) 454"		25037352	12130
Suburban				
1999-1996	5.7L (R) 350"		12160244	12130
1999-1996	5.7L (R) 350"		12160244	12130
1999-1994	6.5L (F) 395"		25037334	12101
1999-1994	6.5L (F) 395"		25037334	12101
1999-1996	7.4L (J) 454"		12160244	12130
Tahoe				
2000-1996	5.7L (R) 350"		12160244	12130
1998-1995	6.5L (S) 395"		25037334	12101
Trailblazer				
2004-2003	5.3L (P) 323"		12160244	12130
CHRYSLER				
4 CYL.				
All				
1993-1988	2.2L (D) 135"	w/o Turbo	5226504	12107
1993-1988	2.5L (K) 153"	w/o Turbo	5226504	12107
Cirrus				
1999-1997	2.4L (X) 148"		56027872	12133
1996-1995	2.4L (X) 148"		33004280	12118
Dynasty				
1993-1986	2.5L (K) 153"	w/o Turbo	4300251	12107
E-Class				
1983-1982	2.2L (B,C) 135"		4145716	12103
1983-1982	2.2L (B,C) 135"		4091719	12104
Laser				
1993-1986	2.2L (D) 135"	TBI	4300251	12107

INTAKE AIR TEMPERATURE SENSORS

YEAR	ENGINE	FOOTNOTE	OE #	PART #
CHRYSLER 4 CYL. (Cont'd)				
LeBaron				
1990-1989	2.2L (A,D) 135"		5227805	12111
1983-1982	2.2L (B,C) 135"		4091719	12104
1983-1982	2.2L (B,C) 135"		4145716	12103
1984	2.2L (C,D,E) 135"		5213463	12110
1993-1986	2.2L (D) 135"	TBI	4300251	12107
1988-1985	2.2L (D,E) 135"		5226355	12014
1990-1989	2.5L (J,K) 153"		5227805	12111
1988-1986	2.5L (K) 153"		5226355	12014
New Yorker				
1983-1982	2.2L (B,C) 135"		4145716	12103
1983-1982	2.2L (B,C) 135"		4091719	12104
1987-1984	2.2L (C,D,E) 135"	EGR Charge Temperature Sensor	4111482	12105
1987-1985	2.2L (D,E) 135"		5226355	12014
1984-1983	2.2L (D,E) 135"		5213463	12110
1993-1986	2.5L (K) 153"	w/o Turbo	4300251	12107
1987-1986	2.5L (K) 153"		5226355	12014
1987-1986	2.5L (K) 153"	EGR Charge Temperature Sensor	4111482	12105
Sebring				
1999-1997	2.0L (Y) 122"		56027872	12133
1997-1995	2.0L (Y) 122"		33004280	12118
2001	2.4L (G) 148"		56027872	12133
1998-1997	2.4L (X) 148"		56027872	12133
1996	2.4L (X) 148"		33004280	12118
TC by Maserati				
1990-1988	2.2L (P,R) 135"		5227805	12111
6 CYL.				
Cirrus				
1999-1997	2.5L (H) 153"		56027872	12133
1996-1995	2.5L (H) 153"		33004280	12118
Concorde				
2001	2.7L (R) 165"		56027872	12133
2000-1998	2.7L (R) 165"		56027872	12133
2000	3.2L (J) 165"		56027872	12133
1996-1993	3.3L (T) 201"		5227805	12111
1997-1993	3.5L (F) 215"		5227805	12111
Cordoba				
1983-1982	3.7L (E,F,H,J) 225"	EGR Charge Temperature Sensor	4111482	12105
Fifth Avenue				
1992-1988	3.0L (3) 181"		5227805	12111
1993-1988	3.3L (R) 201"		5227805	12111
1983-1982	3.7L (E,F,H,J) 225"	EGR Charge Temperature Sensor	4111482	12105
Imperial				
1992-1991	3.8L (L) 229"		5227805	12111
LeBaron				
1990-1989	3.0L (3) 181"		5227805	12111
LHS				
1996-1994	3.5L (F) 215"		5227805	12111
New Yorker				
1992-1988	3.0L (3) 181"		5227805	12111
1993-1988	3.3L (R) 201"		5227805	12111
1996-1994	3.5L (F) 215"		5227805	12111

INTAKE AIR TEMPERATURE SENSORS

YEAR	ENGINE	FOOTNOTE	OE #	PART #
CHRYSLER 6 CYL. (Cont'd)				
Sebring				
1999-1997	2.5L (H) 153"		56027872	12133
2000	2.5L (N) 153"		56027872	12133
1997-1995	2.5L (N) 153"		33004280	12118
8 CYL.				
Cordoba				
1983-1982	5.2L (P,4) 318"	EGR Charge Temperature Sensor	4111482	12105
Fifth Avenue				
1988-1982	5.2L (P,4) 318"	EGR Charge Temperature Sensor	4111482	12105
Newport				
1988-1982	5.2L (P,4) 318"	EGR Charge Temperature Sensor	4111482	12105
CHRYSLER TRUCK				
4 CYL.				
Town & Country				
1983-1982	2.2L (C) 135"		4145716	12103
1983-1982	2.2L (C) 135"		4091719	12104
1987-1985	2.2L (D) 135"	EGR Temperature Sensor	4111482	12105
1984	2.2L (D) 135"		5213463	12110
1988	2.5L (K) 153"		5226355	12014
1987-1986	2.5L (K) 153"	EGR Temperature Sensor	4111482	12105
6 CYL.				
Town & Country				
1998	3.3L (G) 201"		56027872	12133
1998-1997	3.3L (R) 201"		56027872	12133
1996	3.3L (R) 201"		33004280	12118
1993-1991	3.3L (R) 201"		5227805	12111
1993-1988	3.3L (R) 201"		33004280	12118
1993	3.3L (R) 201"		33004281	12014
1998-1997	3.8L (L) 229"		56027872	12133
1997-1994	3.8L (L) 229"		33004281	12014
1996-1994	3.8L (L) 229"		33004280	12118
DODGE				
4 CYL.				
400				
1983-1982	2.2L (C,B,E) 135"		4091719	12104
600				
1988-1985	2.2L (A,C,D,E,8) 135"		5226355	12014
1983-1982	2.2L (C,B,E) 135"		4091719	12104
1983-1982	2.2L (C,B,E) 135"		4145716	12103
1987-1984	2.2L (C,D,E,8) 135"	EGR Charge Temperature Sensor	4111482	12105
1984-1983	2.2L (C,E) 135"		5213463	12110
1993-1986	2.5L (K) 153"	TBI	4300251	12107
1988-1986	2.5L (K,L) 153"		5226355	12014
1987-1986	2.5L (K,L) 153"	EGR Charge Temperature Sensor	4111482	12105
All				
1993-1988	2.2L (D) 135"	TBI	5226504	12107
1993-1988	2.5L (K) 153"	TBI	5226504	12107
Aries				
1989-1987	2.2L (A,C,D,E,O) 135"		5226355	12014
1983-1982	2.2L (C,B,E) 135"		4145716	12103
1983-1982	2.2L (C,B,E) 135"		4091719	12104

INTAKE AIR TEMPERATURE SENSORS

YEAR	ENGINE	FOOTNOTE	OE #	PART #
DODGE 4 CYL. Aries (Cont'd)				
1984	2.2L (C,D,E) 135"		5213463	12110
1987-1984	2.2L (C,D,E,8) 135"	EGR Charge Temperature Sensor	4111482	12105
1993-1986	2.2L (D) 135"	TBI	4300251	12107
1987-1986	2.5L (K,L) 153"	EGR Charge Temperature Sensor	4111482	12105
Avenger				
1999-1997	2.0L (Y) 122"		56027872	12133
1996-1995	2.0L (Y) 122"		33004280	12118
Charger				
1983-1982	2.2L (C,B,E) 135"		4145716	12103
1987-1984	2.2L (C,D,E,8) 135"	EGR Charge Temperature Sensor	4111482	12105
Daytona				
1993	2.2L (A) 135"		5227805	12111
1988	2.2L (A,D,E) 135"		5226355	12014
1984	2.2L (C,D,E) 135"		5213463	12110
1987-1985	2.2L (C,D,E,8) 135"		5226355	12014
1987-1984	2.2L (C,D,E,8) 135"	EGR Charge Temperature Sensor	4111482	12105
1993-1986	2.2L (D) 135"	TBI	4300251	12107
1992-1989	2.5L (J,K) 153"		5227805	12111
1987-1986	2.5L (K,L) 153"		5226355	12014
1987-1986	2.5L (K,L) 153"	EGR Charge Temperature Sensor	4111482	12105
Lancer				
1987-1984	2.2L (C,D,E,8) 135"	EGR Charge Temperature Sensor	4111482	12105
1989-1988	2.5L (J,K) 153"		5227805	12111
1993-1986	2.5L (K) 153"	TBI	4300251	12107
Monaco				
1992-1990	2.2L (A,C,D) 135"		5227805	12111
1991-1990	2.5L (H) 153"		33002382	12120
1992-1989	2.5L (J,K) 153"		5227805	12111
Neon				
1996-1995	2.0L (C) 122"		33004280	12118
1996-1995	2.0L (Y) 122"		33004280	12118
Omni				
1983-1982	1.7L (A,B) 105"		4091719	12104
1983-1982	2.2L (C,B,E) 135"		4091719	12104
1983-1982	2.2L (C,B,E) 135"		4145716	12103
1987-1984	2.2L (C,D,E,8) 135"	EGR Charge Temperature Sensor	4111482	12105
Shadow				
1987-1986	2.2L (C,D,E,8) 135"		5226355	12014
1987-1984	2.2L (C,D,E,8) 135"	EGR Charge Temperature Sensor	4111482	12105
1993-1991	2.2L (D) 135"		33004280	12118
1993-1986	2.5L (K) 153"	TBI	4300251	12107
Stratus				
1996-1995	2.0L (C) 122"		33004281	12014
2002-2001	2.4L (G) 148"		56027872	12133
1999-1997	2.4L (X) 148"		56027872	12133
1996-1995	2.4L (X) 148"		33004281	12014

INTAKE AIR TEMPERATURE SENSORS

YEAR	ENGINE	FOOTNOTE	OE #	PART #
DODGE (Cont'd)				
6 CYL.				
Avenger				
2000	2.5L (N) 153"		56027872	12133
1996-1995	2.5L (N) 153"		33004280	12118
Daytona				
1993-1990	2.5L (K) 153"		33004280	12118
Diplomat				
1983-1982	3.7L (G,H,J) 225"	EGR Charge Temperature Sensor	4111482	12105
Dynasty				
1993-1990	2.5L (K) 153"		33004280	12118
1992-1988	3.0L (3) 180"		5227805	12111
1990	3.3L (R) 201"		5227805	12111
Intrepid				
2001-1998	2.7L (R) 165"		56027872	12133
2001-2000	2.7L (U) 165"		56027872	12133
2000	2.7L (V) 165"		56027872	12133
2000	3.2L (J) 195"		56027872	12133
1997-1993	3.3L (T) 201"		5227805	12111
1994-1993	3.3L (U) 201"		5227805	12111
1997-1993	3.5L (F) 214"		5227805	12111
2000	3.5L (G) 214"		56027872	12133
Monaco				
1992-1990	3.0L (U) 180"		33002382	12120
Shadow				
1993-1990	2.5L (K) 153"		33004280	12118
Spirit				
1993-1990	2.5L (K) 153"		33004280	12118
Stratus				
1999-1997	2.5L (H) 152"		56027872	12133
1996-1995	2.5L (H) 152"		33004281	12014
8 CYL.				
Diplomat				
1988-1982	5.2L (P,R,S) 318"	EGR Charge Temperature Sensor	4111482	12105
Mirada				
1983-1982	5.2L (K,L,P) 318"	EGR Charge Temperature Sensor	4111482	12105
10 CYL.				
Viper				
2002-1992	8.0L (E) 488"		5227805	12111
DODGE TRUCK				
4 CYL.				
All				
1988-1986	2.2L (C,F,8) 135"	TBI	4300251	12107
1992-1986	2.5L (J,L) 153"	TBI	4300251	12107
1994-1986	2.5L (K) 153"	TBI	5226504	12107
Caravan				
1987-1985	2.2L (C,D,E,8) 135"		5226355	12014
2000-1997	2.4L (B) 148"		56027872	12133
1996	2.4L (B) 148"		33004280	12118
1994-1990	2.5L (K) 153"		5227805	12111
Dakota				
2002-1998	2.5L (P) 153"		56027872	12133

INTAKE AIR TEMPERATURE SENSORS

YEAR	ENGINE	FOOTNOTE	OE #	PART #
DODGE TRUCK 4 CYL. (Cont'd)				
Rampage				
1983-1982	1.7L (A,B) 105"		4091719	12104
1983-1982	2.2L (B,C,E) 135"		4091719	12104
1983-1982	2.2L (C,B,E) 135"		4091719	12104
1983-1982	2.2L (C,B,E) 135"		4145716	12103
6 CYL.				
B150				
1994-1992	3.9L (X) 239"		33004280	12118
1991-1988	3.9L (X) 239"	TBI	4300251	12107
1991-1986	3.9L (X) 239"	EGR Charge Temperature Sensor	4111482	12105
B1500				
2001-1997	3.9L (X) 239"		56027872	12133
1996-1995	3.9L (X) 239"		33004280	12118
B250				
1994-1992	3.9L (X) 239"		33004280	12118
1991-1988	3.9L (X) 239"	TBI	4300251	12107
1991-1986	3.9L (X) 239"	EGR Charge Temperature Sensor	4111482	12105
B2500				
1996-1995	3.9L (X) 239"		33004280	12118
B350				
1991-1988	3.9L (X) 239"	TBI	4300251	12107
1991-1986	3.9L (X) 239"	EGR Charge Temperature Sensor	4111482	12105
Caravan				
2000-1997	3.0L (3) 181"		56027872	12133
1987	3.0L (3) 181"		4300251	12107
1998-1997	3.3L (G) 201"		56027872	12133
2000-1997	3.3L (R) 201"		56027872	12133
1994-1991	3.3L (R) 201"		5227805	12111
1998-1997	3.8L (L) 229"		56027872	12133
D100				
1991-1988	3.9L (X) 239"	TBI	4300251	12107
1991-1986	3.9L (X) 239"	EGR Charge Temperature Sensor	4111482	12105
D150				
1993-1992	3.9L (X) 239"		33004280	12118
1991-1988	3.9L (X) 239"	TBI	4300251	12107
1991-1986	3.9L (X) 239"	EGR Charge Temperature Sensor	4111482	12105
D250				
1993-1992	3.9L (X) 239"		33004280	12118
1991-1988	3.9L (X) 239"	TBI	4300251	12107
1991-1986	3.9L (X) 239"	EGR Charge Temperature Sensor	4111482	12105
Dakota				
2002-1998	3.9L (X) 239"		56027872	12133
1996-1994	3.9L (X) 239"		33004280	12118
1993-1992	3.9L (X) 239"		33004280	12118
Durango				
1999-1998	3.9L (X) 239"		56027872	12133

INTAKE AIR TEMPERATURE SENSORS

YEAR	ENGINE	FOOTNOTE	OE #	PART #
DODGE TRUCK 6 CYL. (Cont'd)				
Grand Caravan				
1998-1997	3.0L (3) 181"		56027872	12133
1999-1998	3.3L (G) 201"		56027872	12133
1998-1997	3.3L (R) 201"		56027872	12133
1994-1991	3.3L (R) 201"		5227805	12111
1999-1998	3.8L (L) 229"		56027872	12133
Ram 1500				
1999-1997	3.9L (X) 239"		56027872	12133
1996-1994	3.9L (X) 239"		33004280	12118
W150				
1993-1992	3.9L (X) 239"		33004280	12118
B150⁸ CYL.				
1994	5.2L (Y) 318"		33004280	12118
1993	5.2L (Y) 318"		33004280	12118
1991-1988	5.2L (Y) 318"	TBI	4300251	12107
B1500				
1996-1995	5.2L (T) 318"		33004280	12118
2001-1997	5.2L (Y) 318"		56027872	12133
1996-1995	5.2L (Y) 318"		33004280	12118
2001-1998	5.9L (Z) 360"		56027872	12133
B250				
1994-1993	5.2L (T) 318"		33004280	12118
1994	5.2L (Y) 318"		33004280	12118
1993	5.2L (Y) 318"		33004280	12118
1991-1988	5.2L (Y) 318"	TBI	4300251	12107
1994-1993	5.9L (5) 360"		33004280	12118
1994-1993	5.9L (Z) 360"		33004280	12118
1993-1988	5.9L (Z) 360"		5226504	12107
B2500				
2001-2000	5.2L (T) 318"		56027872	12133
1997	5.2L (T) 318"		56027872	12133
1996-1995	5.2L (T) 318"		33004280	12118
2001-1997	5.2L (Y) 318"		56027872	12133
1996-1995	5.2L (Y) 318"		33004280	12118
1996-1995	5.9L (5) 360"		33004280	12118
2001-1997	5.9L (Z) 360"		56027872	12133
1996-1995	5.9L (Z) 360"		33004280	12118
B350				
1994-1993	5.2L (T) 318"		33004280	12118
1994	5.2L (Y) 318"		33004280	12118
1994-1993	5.9L (5) 360"		33004280	12118
1994-1993	5.9L (Z) 360"		33004280	12118
1993-1988	5.9L (Z) 360"		5226504	12107
B3500				
2001-2000	5.2L (T) 318"		56027872	12133
1997	5.2L (T) 318"		56027872	12133
1996-1995	5.2L (T) 318"		33004280	12118
2001-1997	5.2L (Y) 318"		56027872	12133
1996-1995	5.2L (Y) 318"		33004280	12118
1996-1995	5.9L (5) 360"		33004280	12118
2001-1997	5.9L (Z) 360"		56027872	12133
1996-1995	5.9L (Z) 360"		33004280	12118

INTAKE AIR TEMPERATURE SENSORS

YEAR	ENGINE	FOOTNOTE	OE #	PART #
DODGE TRUCK 8 CYL. (Cont'd)				
D150				
1988-1982	5.2L (S,T,U,Y) 318"		4145716	12103
1991-1988	5.2L (Y) 318"	TBI	4300251	12107
1993	5.9L (5) 360"		33004280	12118
1993	5.9L (Z) 360"		33004280	12118
D250				
1988-1982	5.2L (S,T,U,Y) 318"		4145716	12103
1991-1988	5.2L (Y) 318"	TBI	4300251	12107
1993	5.9L (5) 360"		33004280	12118
1993-1988	5.9L (Z) 360"		5226504	12107
1993	5.9L (Z) 360"		33004280	12118
D350				
1991-1988	5.2L (Y) 318"	TBI	4300251	12107
1993	5.9L (5) 360"		33004280	12118
1993-1988	5.9L (Z) 360"		5226504	12107
1993	5.9L (Z) 360"		33004280	12118
Dakota				
2000	4.7L (N) 287"		56027872	12133
1999-1998	5.2L (Y) 318"		56027872	12133
1996-1993	5.2L (Y) 318"		33004280	12118
1993	5.2L (Y) 318"		33004280	12118
2002-1998	5.9L (Z) 360"		56027872	12133
Durango				
2000	4.7L (N) 287"		56027872	12133
2000-1998	5.2L (Y) 318"		56027872	12133
2002	5.9L (Z) 360"		33004280	12118
2001-1998	5.9L (Z) 360"		56027872	12133
Ram 1500				
2001-1998	5.2L (Y) 318"		56027872	12133
1996-1995	5.2L (Y) 318"		33004280	12118
1999	5.9L (5) 360"		56027872	12133
2002	5.9L (Z) 360"		33004280	12118
2001-1998	5.9L (Z) 360"		56027872	12133
1996-1994	5.9L (Z) 360"		33004280	12118
Ram 2500				
1996-1995	5.2L (Y) 318"		33004280	12118
1999	5.9L (5) 360"		56027872	12133
1996-1995	5.9L (5) 360"		33004280	12118
2002-1997	5.9L (Z) 360"		56027872	12133
1996-1994	5.9L (Z) 360"		33004280	12118
Ram 3500				
2002-2000	5.9L (5) 360"		56027872	12133
1999	5.9L (5) 360"		56027872	12133
1998-1997	5.9L (5) 360"		56027872	12133
1996-1994	5.9L (5) 360"		33004280	12118
2002-1997	5.9L (Z) 360"		56027872	12133
1996-1994	5.9L (Z) 360"		33004280	12118
Ramcharger				
1993	5.2L (Y) 318"		33004280	12118
1993	5.9L (Z,5) 360"		33004280	12118

INTAKE AIR TEMPERATURE SENSORS

YEAR	ENGINE	FOOTNOTE	OE #	PART #
DODGE TRUCK (Cont'd)				
10 CYL.				
Ram 2500				
2002-1997	8.0L (W) 488"		56027872	12133
1996-1994	8.0L (W) 488"		33004280	12118
Ram 3500				
1996-1994	8.0L (W) 488"		33004280	12118
EAGLE				
4 CYL.				
Premier				
1992-1988	2.2L (F) 132"		5227805	12111
1991-1988	2.5L (H) 152"		33002382	12120
1989-1988	2.5L (H,Z) 150"		5227805	12111
Talon				
1999-1995	2.0L (F) 122"		56027872	12133
1999-1995	2.0L (Y) 122"		56027872	12133
6 CYL.				
Premier				
1992-1988	3.0L (U) 180"		33002382	12120
Vision				
1996-1993	3.3L (R) 201"		5227805	12111
1997-1993	3.5L (F) 215"		5227805	12111
FORD				
4 CYL.				
Contour				
1999-1998	2.0L (3) 122"		F57F-12A697AA, F57Z-A	12126
1997-1996	2.0L (3) 122"		F6SF-12A697AA, F6SZ-A	12124
1999-1998	2.0L (Z) 122"		F57F-12A697AA, F57Z-A	12126
Escort				
1990-1987	1.9L (9) 116"		E1AF-12A697AA, E7AF-AA, E1AZ-A, E4AF-AA, BA	12100
1996	1.9L (J) 116"		F6SF-12A697AA, F6SZ-A	12124
1995-1991	1.9L (J) 116"		F32F-12A697AA	12117
1990-1987	1.9L (J) 116"		E1AF-12A697AA, E7AF-AA, E1AZ-A, E4AF-AA, BA	12100
2002-1998	2.0L (3) 122"		F57F-12A697AA	12126
2002	2.0L (3) 122"		F57F-12A697AA	12126
2002-1997	2.0L (P) 122"		F57F-12A697AA, F57Z-A	12126
Mustang				
1990-1987	2.3L (A) 140"	w/OE #	E1AF-12A697AA, E7AF-AA, E1AZ-A, E4AF-AA, BA	12100
1993-1991	2.3L (M) 140"	w/OE #	F1AF-12A697AA	12117
Probe				
1997-1996	2.0L (A) 121"		F62Z-12A697AA	12129
1995-1993	2.0L (A) 121"	AT	F32Z-12A697A	12119
1995-1993	2.0L (A) 121"	MT	F42Z-12A697A	12117
1993	2.0L (A) 121"	AT	F32Z-12A697A	12119
Taurus				
1991-1986	2.5L (D) 153"		E1AF-12A697AA, E1AZ-A, E4AF-AA, BA, E7AF-AA	12100
1991	2.5L (N) 153"		F32Z-12A697A	12117
Tempo				
1984	2.3L (L) 140"		E1AF-12A697AA	12100
1994-1992	2.3L (X) 140"	w/OE #	F1AF-12A697AA	12117
1993-1984	2.3L (X) 140"	w/OE #	E1AF-12A697AA, E1AZ-A, E4AF-AA, BA, E7AF-AA	12100

INTAKE AIR TEMPERATURE SENSORS

YEAR	ENGINE	FOOTNOTE	OE #	PART #
FORD 4 CYL. (Cont'd)				
Thunderbird				
1988	2.3L (T) 140"		E1AF-12A697AA, E1AZ-A, E4AF-AA, BA	12100
1987	2.3L (W) 140"		E1AF-12A697AA, E1AZ-A, E4AF-AA, BA	12100
6 CYL. Contour				
2000-1998	2.5L (G) 153"	w/OE #	F5AF-12A697AA	12127
1998	2.5L (G) 153"	w/OE #	F57F-12A697AA, F57Z-A	12126
2000-1996	2.5L (L) 153"	w/OE #	F5AF-12A697AA, F5AZ-A	12127
1998	2.5L (L) 153"	w/OE #	F57F-12A697AA	12126
1995	2.5L (L) 153"		F3DF-12A697AA, F4TF-AA	12125
LTD				
1986-1984	3.8L (3) 232"		E1AF-12A697AA, E1AZ-A, E4AF-AA, BA	12100
Mustang				
1986-1984	3.8L (3) 232"		E1AF-12A697AA, E1AZ-A, E4AF-AA, BA	12100
2000-1996	3.8L (4) 232"		F57F-12A697AA, F57Z-A	12126
1995-1994	3.8L (4) 232"	w/OE #	F32F-12A697AA	12117
1995-1994	3.8L (4) 232"	w/OE #	E1AF-12A697AA	12100
Probe				
1992-1990	3.0L (U) 183"		E1AF-12A697AA, E1AZ-A, E4AF-AA, BA	12100
Taurus				
1998-1996	3.0L (1) 183"	FFV	F57F-12A697AA, F57Z-A	12126
1995-1993	3.0L (1) 183"	FFV	F3DF-12A697AA, F4TF-AA	12125
2000-1996	3.0L (2) 183"		F57F-12A697AA, F57Z-A	12126
1999-1996	3.0L (S) 183"		F5AF-12A697AA, F5AZ-A	12127
1999-1996	3.0L (U) 183"		F57F-12A697AA, F57Z-A	12126
1995-1996	3.0L (U) 183"		F2DF-12A697AA	12100
1994-1992	3.0L (U) 183"		F1AF-12A697AA, F32F-AA	12117
1995-1991	3.0L (Y) 183"		F32F-12A697AA	12117
1990-1989	3.0L (Y) 183"		E1AF-12A697AA, E1AZ-A, E4AF-AA, E7AF-AA	12100
1995-1993	3.2L (P) 195"		F32F-12A697AA	12117
1995-1994	3.8L (4) 232"	w/OE #	F32F-12A697AA	12117
1995-1988	3.8L (R) 232"		E1AF-12A697AA, E4AF-AA, F2DF-AA, F2DZ-A	12100
Tempo				
1994-1992	3.0L (U) 183"		F1AF-12A697AA, F32F-AA	12117
1993-1992	3.0L (U) 183"		E4AF-12A697AA, BA, E7AF-AA, F1AF-AA, BA, F2DF-AA, F2DZ-A	12100
Thunderbird				
1987-1984	3.8L (3) 232"		E1AF-12A697AA, E1AZ-A, E4AF-AA, BA	12100
1997-1996	3.8L (4) 232"		F5AF-12A697AA, F5AZ-A	12127
1995-1994	3.8L (4) 232"		F32F-12A697AA	12117
1995-1988	3.8L (4) 232"		E1AF-12A697AA, E4AF-AA, F2DF-AA, F2DZ-A	12100
1989	3.8L (C) 232"		E1AF-12A697AA, E1AZ-A, E4AF-AA, BA	12100
1989	3.8L (C) 232"		E1AF-12A697AA	12100
1990-1989	3.8L (R) 232"		E1AF-12A697AA	12100
1995-1989	3.8L (R,3,4) 232"		E1AF-12A697AA, E4AF-AA, F2DF-AA, F2DZ-A	12100
8 CYL. Crown Victoria				
1997-1996	4.6L (6) 281"		F5AF-12A697AA, F5AZ-A	12127
2004-1996	4.6L (9) 281"	Used for Ambient Air Temp.	F2AZ-12A648A	12011
2001-1996	4.6L (9) 281"		F5AF-12A697AA	12127
2004-1996	4.6L (W) 281"	Used for Ambient Air Temp.	F2AZ-12A648A	12011
2002-1995	4.6L (W) 281"		F5AF-12A697AA, F5AZ-A	12127
1994-1992	4.6L (W) 281"		F1AF-12A697AA, F32F-AA	12117
1993-1992	4.6L (W) 281"		E4AF-12A697AA, E7AF-AA, F1AF-AA, F2DF-AA, F2DZ-A	12100

INTAKE AIR TEMPERATURE SENSORS

YEAR	ENGINE	FOOTNOTE	OE #	PART #
FORD 8 CYL. Crown Victoria (Cont'd)				
1991	5.0L (F) 302"		E4AF-12A697AA	12100
1990	5.8L (G) 351"		E4AF-12A697AA	12100
Ford				
1981-1980	5.0L (F) 302"	E.E.C.	E1AZ-12A697A	12100
LTD				
1985-1982	5.0L (F) 302"		E1AF-12A697AA, E1AZ-A, E4AF-AA, BA, F1AF-BA, F2DF-AA, F2DZ-A	12100
Mustang				
2003	4.6L (R) 281"		F57F-12A697AA	12126
2002-1996	4.6L (V) 281"		F57F-12A697AA	12126
2003-1996	4.6L (X) 281"		F57F-12A697AA, F57Z-A	12126
2003	4.6L (Y) 281"		F57F-12A697AA	12126
1995-1994	5.0L (D) 302"		F32F-12A697AA	12127
1995	5.0L (D) 302"		F2DE-12A697AA	12100
1993	5.0L (D) 302"		E1AF-12A697AA, E1AZ-A, E4AF-AA, BA, F1AF-BA, F2DF-AA, F2DZ-A	12100
1993-1987	5.0L (E) 302"		E1AF-12A697AA, E1AZ-A, E4AF-AA, BA, F1AF-BA, F2DF-AA, F2DZ-A	12100
1985-1984	5.0L (F) 302"		E1AF-12A697AA, E1AZ-A, E4AF-AA, BA, F1AF-BA, F2DF-AA, F2DZ-A	12100
1986	5.0L (M) 302"		E1AF-12A697AA, E1AZ-A, E4AF-AA, BA, F1AF-BA, F2DF-AA, F2DZ-A	12100
1995-1994	5.0L (T) 302"	H.O.	F32F-12A697AA	12117
1995	5.0L (T) 302"		F2DE-12A697AA	12100
1993	5.0L (T) 302"		E1AF-12A697AA, E1AZ-A, E4AF-AA, BA, F1AF-BA, F2DF-AA, F2DZ-A	12100
Police				
1990	5.8L (G) 351"		E4AF-12A697AA	12100
Taurus				
1999-1996	3.4L (N) 207"		F5AF-12A697	12127
1997-1996	3.4L (N) 207"		F5AF-12A697AA, F5AZ-A	12127
Thunderbird				
2003-2002	3.9L (A) 242"	w/External Sensor	F57F-12A697AA	12126
1997-1996	4.6L (W) 281"		F5AF-12A697AA, F5AZ-A	12127
1995-1994	4.6L (W) 281"		F1AF-12A697AA, F32F-AA	12117
1988-1982	5.0L (F) 302"		E1AF-12A697AA, E1AZ-A, E4AF-AA, BA, F1AF-BA, F2DF-AA, F2DZ-A	12100
FORD TRUCK				
ELECTRIC				
Ranger				
2000-1998	ELEC (7)		F57F-12A697AA	12126
1998	ELEC (7)		F6SF-12A697AA	12124
4 CYL.				
Aerostar				
1987-1986	2.3L (A) 140"		E1AF-12A697AA, E4AF-AA, BA	12100
Ranger				
1997-1995	2.3L (A) 140"		F57F-12A697AA, F57Z-A	12126
1994-1992	2.3L (A) 140"		F1AF-12A697AA	12117
1991-1986	2.3L (A) 140"		E1AF-12A697AA, E4AF-AA, BA, E7AF-AA	12100
1999	2.5L (B) 151"		F5AF-12A697A	12126
2001-1998	2.5L (C) 153"		F5AF-12A697A	12127
6 CYL.				
Aerostar				
1986	2.8L (S) 171"		E4AF-12A697AA, BA	12100
1997-1996	3.0L (U) 183"		F6SF-12A697AA, F6SZ-A	12124
1995-1986	3.0L (U) 183"		E4AF-12A697AA, BA, F2DF-AA, F2DZ-A	12100
1997-1996	4.0L (X) 241"	w/OE #	F6SF-12A697AA, F6SZ-A	12124

INTAKE AIR TEMPERATURE SENSORS

YEAR	ENGINE	FOOTNOTE	OE #	PART #
FORD TRUCK 6 CYL. Aerostar (Cont'd)				
1997-1995	4.0L (X) 241"	w/OE #	F57F-12A697AA, F57Z-A	12126
1995-1990	4.0L (X) 241"		E4AF-12A697AA, BA, F1AF-BA, F2DF-AA, F2DZ-A	12100
1995	4.0L (X) 241"		F3DF-12A697AA, F4TF-AA	12125
Bronco				
1992-1987	4.9L (Y) 300"	w/OE #	E4AF-12A697AA	12100
1987	4.9L (Y) 300"	w/OE #	F1AF-12A697AA	12117
Bronco II				
1985-1984	2.8L (S) 171"		E4AF-12A697AA, BA	12100
1990-1986	2.9L (T) 177"		E4AF-12A697AA, BA	12100
E150				
2004-1997	4.2L (2) 256"		F57F-12A697AA, F57Z-A	12126
1988	4.9L (9) 300"		F2DF-12A697AA	12100
1996	4.9L (Y) 300"		F6SF-12A697AA, F6SZ-A	12124
1995-1987	4.9L (Y) 300"		E4AF-12A697AA, BA, F1AF-BA, F2DF-AA, F2DZ-A	12100
1987	4.9L (Y) 300"	w/OE #	E7AF-12A697AA	12117
E250				
2004-1997	4.2L (2) 256"		F57F-12A697AA, F57Z-A	12126
1996	4.9L (Y) 300"		F6SF-12A697AA, F6SZ-A	12124
1995-1987	4.9L (Y) 300"		E4AF-12A697AA, BA, F1AF-BA, F2DF-AA, F2DZ-A	12100
1987	4.9L (Y) 300"	w/OE #	E7AF-12A697AA	12117
1996	4.9L (Z) 300"		F6SF-12A697AA	12124
1995	4.9L (Z) 300"		E4AF-12A697AA	12100
E350				
1996	4.9L (Y) 300"	w/OE #	F6SF-12A697AA, F6SZ-A	12124
1995-1987	4.9L (Y) 300"		E4AF-12A697AA, BA, F1AF-BA, F2DF-AA, F2DZ-A	12100
1987	4.9L (Y) 300"	w/OE #	E7AF-12A697AA	12117
1996	4.9L (Z) 300"		F6SF-12A697AA	12100
1995	4.9L (Z) 300"		E4AF-12A697AA	12100
Explorer				
1998-1997	4.0L (E) 245"		F6SF-12A697AA, F6SZ-A	12124
1998-1997	4.0L (E) 245"		F57F-12A697AA, F57Z-A	12126
2001-1995	4.0L (X) 245"	w/OE #	F57F-12A697AA, F57Z-A	12126
1998-1996	4.0L (X) 245"	w/OE #	F6SF-12A697AA, F6SZ-A	12124
1995-1991	4.0L (X) 245"		E4AF-12A697AA, BA, F1AF-BA, F2DF-AA, F2DZ-A	12100
1995	4.0L (X) 245"		F3DF-12A697AA, F4TF-AA	12125
F150				
2004-1997	4.2L (2) 256"		F57F-12A697AA	12126
1995-1987	4.9L (Y) 300"		E4AF-12A697AA, BA, F1AF-BA, F2DF-AA, F2DZ-A	12100
1995	4.9L (Y) 300"		F4TZ-12A697A	12125
1987	4.9L (Y) 300"	w/OE #	F7AF-12A697AA	12117
1996	4.9L (Z) 300"		E5AF-12A697AA	12127
1995	4.9L (Z) 300"		E4AF-12A697AA	12100
F250				
1998-1997	4.2L (2) 256"		F57F-12A697A	12126
1996	4.9L (Y) 300"		F5AF-12A697AA, F5AZ-A	12127
1995-1987	4.9L (Y) 300"		E4AF-12A697AA, BA, F1AF-BA, F2DF-AA, F2DZ-A	12100
1987	4.9L (Y) 300"		E7AF-12A697AA	12117
1996	4.9L (Z) 300"		F5AF-12A697AA	12127
1995	4.9L (Z) 300"		F2DF-12A697AA	12100

INTAKE AIR TEMPERATURE SENSORS

YEAR	ENGINE	FOOTNOTE	OE #	PART #
FORD TRUCK 6 CYL. (Cont'd)				
F350				
1996	4.9L (Y) 300"		F5AF-12A697AA, F5AZ-A	12127
1995-1987	4.9L (Y) 300"		E4AF-12A697AA, BA, F1AF-BA, F2DF-AA, F2DZ-A	12100
1987	4.9L (Y) 300"		E7AF-12A697AA	12117
Ranger				
1986-1983	2.8L (S) 171"		E4AF-12A697AA, BA	12100
1992-1986	2.9L (T) 177"		E4AF-12A697AA, BA	12100
2003-1998	3.0L (U) 182"	w/OE #	F5AF-12A697AA	12127
2000-1995	3.0L (U) 183"	w/OE #	F57F-12A697AA, F57Z-A	12126
1995-1986	3.0L (U) 183"		E4AF-12A697AA, BA, E7AF-AA	12100
1994-1992	3.0L (U) 183"		F1AF-12A697AA	12117
2003-1998	4.0L (E) 241"	w/OE #	F5AF-12A697AA	12127
2003	4.0L (E) 241"		F57F-12A697AA	12126
2000-1995	4.0L (X) 241"	w/OE #	F57Z-12A697A	12126
1998-1996	4.0L (X) 241"	w/OE #	F6SF-12A697AA, F6SZ-A	12124
1995-1990	4.0L (X) 241"	w/OE #	E4AF-12A697AA, BA, F1AF-BA, F2DF-AA, F2DZ-A	12100
1995	4.0L (X) 241"		F3DF-12A697AA, F4TF-AA	12125
Windstar				
2000-1995	3.0L (U) 183"		F5AF-12A697AA, F5AZ-A	12127
1998-1996	3.8L (4) 232"		F57F-12A697AA, F57Z-A	12126
1995	3.8L (4) 232"		F3DF-12A697AA, F4TF-AA	12125
8 CYL.				
Bronco				
1996	5.0L (N) 302"		F5AF-12A697AA, F5AZ-A	12127
1996	5.0L (N) 302"		F6SF-12A697AA, F6SZ-A	12124
1995-1994	5.0L (N) 302"		F3DF-12A697AA, F4TF-AA	12125
1995-1993	5.0L (N) 302"	w/OE #	F1AF-12A697AA	12117
1995-1985	5.0L (N) 302"	w/OE #	E4AF-12A697AA, BA, F1AF-BA, F2DF-AA, F2DZ-A	12100
1996-1988	5.8L (H) 351"		E4AF-12A697AA, BA, F1AF-BA, F2DF-AA, F2DZ-A	12100
1996	5.8L (H) 351"		F5AF-12A697AA, F5AZ-A	12127
1996	5.8L (H) 351"		F6SF-12A697AA, F6SZ-A	12124
1995	5.8L (H) 351"	w/OE #	F3DF-12A697AA, F4TF-AA	12125
E Super Duty				
2003-2002	5.4L (L) 330"		F57F-12A697AA	12126
2002	5.4L (L) 330"		F6SF-12A697AA	12124
E150				
2003-1997	4.6L (6) 281"	w/OE #	F57F-12A697AA	12126
2003-1999	4.6L (W) 281"	w/OE #	F57F-12A697AA	12126
1996	5.0L (N) 302"	w/OE #	F5AF-12A697AA, F5AZ-A	12127
1996	5.0L (N) 302"	w/OE #	F6SF-12A697AA, F6SZ-A	12124
1995-1994	5.0L (N) 302"	w/OE #	F3DF-12A697AA, F4TF-AA	12125
1995-1993	5.0L (N) 302"		E7AF-12A697AA	12117
1995-1985	5.0L (N) 302"	w/OE #	E4AF-12A697AA, BA, F1AF-BA, F2DF-AA, F2DZ-A	12100
2003-1997	5.4L (L) 330"		F57F-12A697AA	12126
2002	5.4L (L) 330"	w/OE #	F6SF-12A697AA	12124
1996-1987	5.8L (H) 351"		E4AF-12A697AA, BA, F1AF-BA, F2DF-AA, F2DZ-A	12100
1996	5.8L (H) 351"	w/OE #	F5AF-12A697AA, F5AZ-A	12127
1996	5.8L (H) 351"	w/OE #	F6SF-12A697AA, F6SZ-A	12124
1995	5.8L (H) 351"	w/OE #	F3DF-12A697AA, F4TF-AA	12125

INTAKE AIR TEMPERATURE SENSORS

YEAR	ENGINE	FOOTNOTE	OE #	PART #
FORD TRUCK 8 CYL. (Cont'd)				
E250				
2003-1997	4.6L (6) 281"	w/OE #	F57F-12A697AA	12126
2003-1999	4.6L (W) 281"	w/OE #	F57F-12A697AA	12126
1996	5.0L (N) 302"	w/OE #	F6SF-12A697AA, F6SZ-A	12124
1995-1994	5.0L (N) 302"	w/OE #	F3DF-12A697AA, F4TF-AA	12125
1995-1993	5.0L (N) 302"	w/OE #	E7AF-12A697AA	12117
1994-1985	5.0L (N) 302"	w/OE #	E4AF-12A697AA, BA, F1AF-BA, F2DF-AA, F2DZ-A	12100
2003-1997	5.4L (L) 330"		F57F-12A697AA	12126
2003-1997	5.4L (M) 330"		F57F-12A697AA	12126
2002-2000	5.4L (Z) 330"		F57F-12A697AA	12126
2002	5.4L (Z) 330"		F6SF-12A697AA	12124
1996-1987	5.8L (H) 351"		E4AF-12A697AA, BA, F1AF-BA, F2DF-AA, F2DZ-A	12100
1996	5.8L (H) 351"	w/OE #	F5AF-12A697AA, F5AZ-A	12127
1996	5.8L (H) 351"	w/OE #	F6SF-12A697AA, F6SZ-A	12124
1995	5.8L (H) 351"	w/OE #	F3DF-12A697AA, F4TF-AA	12125
2003-1998	7.3L (M) 446"	w/OE #	F6SZ-12A697A	12124
2003-1997	7.3L (M) 446"	Plastic Sensor,w/OE #	F5AZ-12A697A	12127
1997-1995	7.3L (M) 446"	Plastic Sensor,w/OE #	F3VF-12A647AA	12063
1996-1987	7.5L (G) 460"	w/OE #	F2DF-12A648AA	12100
1996	7.5L (G) 460"	w/OE #	F5AF-12A697AA, F5AZ-A	12127
1996	7.5L (G) 460"	w/OE #	F57F-12A697AA	12126
E350				
1989	5.0L (N) 302"		E4AF-12A697AA, BA, F1AF-BA, F2DF-AA, F2DZ-A	12100
2003-1997	5.4L (L) 330"		F57F-12A697AA	12126
2003-1997	5.4L (M) 330"		F57F-12A697AA	12126
2000	5.4L (Z) 330"		F57F-12A697AA	12126
1996-1987	5.8L (H) 351"		E4AF-12A697AA, BA, F1AF-BA, F2DF-AA, F2DZ-A	12100
1996	5.8L (H) 351"	w/OE #	F5AF-12A697AA, F5AZ-A	12127
1996	5.8L (H) 351"	w/OE #	F6SF-12A697AA, F6SZ-A	12124
1995	5.8L (H) 351"	w/OE #	F3DF-12A697AA, F4TF-AA	12125
2003-1998	7.3L (M) 446"	w/OE #	F6SZ-12A697A	12124
2003-1997	7.3L (M) 446"	Plastic Sensor,w/OE #	F5AZ-12A697A	12127
1997-1995	7.3L (M) 446"	Plastic Sensor,w/OE #	F3VF-12A647AA	12063
1996-1987	7.5L (G) 460"	w/OE #	F2DF-12A648AA	12100
1996	7.5L (G) 460"	w/OE #	F57F-12A697AA	12126
1996	7.5L (G) 460"	w/OE #	F5AF-12A697AA	12127
E450				
2003-2002	7.3L (M) 446"	w/OE #	F6SZ-12A697A	12124
2003-2002	7.3L (M) 446"	Plastic Sensor,w/OE #	F5AZ-12A697A	12127
Excursion				
2002-2000	5.4L (L) 330"	w/OE #	F57F-12A697AA	12126
2002	5.4L (L) 330"	w/OE #	F6SF-12A697AA	12124
2003-2000	7.3L (F) 446"		F6SZ-12A697A	12124
Expedition				
2000-1997	4.6L (6) 281"		F57F-12A697AA, F57Z-A	12126
2003-1997	4.6L (W) 281"		F57F-12A697AA, F57Z-A	12126
2003-1997	5.4L (L) 330"		F57F-12A697AA, F57Z-A	12126
2002	5.4L (L) 330"		F6SF-12A697AA	12124
Explorer				
1998-1996	5.0L (P) 302"		F57F-12A697AA, F57Z-A	12126

INTAKE AIR TEMPERATURE SENSORS

YEAR	ENGINE	FOOTNOTE	OE #	PART #
FORD TRUCK 8 CYL. (Cont'd)				
F150				
2004-1997	4.6L (6) 281"		F57F-12A697A	12126
2004-1997	4.6L (W) 281"		F57F-12A697A	12126
1996	4.9L (Y) 300"		F5AF-12A697AA, F5AZ-A	12127
1996	5.0L (N) 302"	w/OE #	F6SF-12A697AA, F6SZ-A	12124
1996	5.0L (N) 302"	w/OE #	F5AF-12A697AA, F5AZ-A	12127
1995-1994	5.0L (N) 302"	w/OE #	F3DF-12A697AA, F4TF-AA	12125
1995-1993	5.0L (N) 302"		E7AF-12A697AA	12117
1995-1985	5.0L (N) 302"		E4AF-12A697AA, BA, F1AF-BA, F2DF-AA, F2DZ-A	12100
2004-1999	5.4L (3) 330"	Air Cleaner Mounted	F5AZ-12A697A	12127
2003-2002	5.4L (3) 330"	w/OE #	F57F-12A697AA	12126
2003-1999	5.4L (3) 330"	Intake Mounted	F6SZ-12A697A	12124
2004-1997	5.4L (L) 326"		F57F-12A697AA	12126
2002	5.4L (L) 330"		F6SF-12A697AA	12124
2004-1998	5.4L (M) 330"		F57F-12A697AA	12126
2004-1998	5.4L (Z) 330"		F57F-12A697AA	12126
2002	5.4L (Z) 330"		F6SF-12A697AA	12124
1997-1996	5.8L (H) 351"	w/OE #	F5AF-12A697AA, F5AZ-A	12127
1997-1987	5.8L (H) 351"		E4AF-12A697AA, BA, F1AF-BA, F2DF-AA, F2DZ-A	12100
1996	5.8L (H) 351"	w/OE #	F6SF-12A697AA, F6SZ-A	12124
1995	5.8L (H) 351"	w/OE #	F3DF-12A697AA, F4TF-AA	12125
1995	5.8L (H) 351"	w/OE #	F3DF-12A697AA	12125
1995	5.8L (H) 351"		E4AF-12A697AA	12100
1995-1994	5.8L (R) 351"	w/OE #	E4AF-12A697AA	12100
1995-1993	5.8L (R) 351"		E4AF-12A697AA	12100
1995	5.8L (R) 351"	w/OE #	F3DF-12A697AA, F4TF-AA	12125
1995	5.8L (R) 351"	w/OE #	F3DF-12A697AA	12125
F250				
1999-1997	4.6L (6) 281"		F57F-12A697A	12126
1999-1997	4.6L (W) 281"		F57F-12A697A	12126
1996	5.0L (N) 302"	w/OE #	F6SF-12A697AA, F6SZ-A	12124
1996	5.0L (N) 302"	w/OE #	F5AF-12A697AA, F5AZ-A	12127
1995-1994	5.0L (N) 302"	w/OE #	F3DF-12A697AA, F4TF-AA	12125
1995-1993	5.0L (N) 302"		E7AF-12A697AA	12117
1995-1985	5.0L (N) 302"		E4AF-12A697AA, BA, F1AF-BA, F2DF-AA, F2DZ-A	12100
2003-1997	5.4L (L) 330"	HD	F57F-12A697AA	12126
1999-1997	5.4L (M) 330"		F57F-12A697AA	12126
1998	5.4L (Z) 330"		F57F-12A697AA	12126
1997	5.8L (H) 351"	HD	F5AF-12A697AA, F5AZ-A	12127
1997	5.8L (H) 351"	HD	F2DF-12A697AA	12100
1996-1987	5.8L (H) 351"		E4AF-12A697AA, BA, F1AF-BA, F2DF-AA, F2DZ-A	12100
1996	5.8L (H) 351"	w/OE #	F5AF-12A697AA, F5AZ-A	12127
1996	5.8L (H) 351"	w/OE #	F6SF-12A697AA, F6SZ-A	12124
1995	5.8L (H) 351"	w/OE #	F3DF-12A697AA, F4TF-AA	12125
1996	5.8L (L) 351"		F6SF-12A697AA	12124
1995	5.8L (R) 351"	w/OE #	F3DF-12A697AA, F4TF-AA	12125
1995	5.8L (R) 351"	w/OE #	F2DF-12A697AA	12100
2003-1999	7.3L (F) 446"	Plastic Sensor,On Air Cleaner, w/OE #	F5AF-12A697A	12127
2003-1999	7.3L (F) 446"	On Charge Air Cooler Mnfld, w/OE #	F6SZ-12A697A	12124
1997-1995	7.3L (F) 446"	Plastic Sensor,w/OE #	F5AF-12A697A	12127

INTAKE AIR TEMPERATURE SENSORS

YEAR	ENGINE	FOOTNOTE	OE #	PART #
FORD TRUCK 8 CYL. F250 (Cont'd)				
1997-1994	7.3L (F) 446"	Plastic Sensor,w/OE #	F3VY-12A697A	12063
1997-1996	7.5L (G) 460"	w/OE #	F5AF-12A697AA, F5AZ-A	12127
1997-1987	7.5L (G) 460"	w/OE #	F2DF-12A698AA	12100
1996	7.5L (G) 460"	w/OE #	F57F-12A697AA	12126
1995	7.5L (G) 460"	w/OE #,Cal.Only	F5AF-12A697A	12127
F350				
2003-1999	5.4L (L) 330"	HD	F57F-12A697AA	12126
1997-1996	5.8L (H) 351"	w/OE #	F5AF-12A697AA, F5AZ-A	12127
1997-1987	5.8L (H) 351"		E4AF-12A697AA, BA, F1AF-BA, F2DF-AA, F2DZ-A	12100
1996	5.8L (H) 351"	w/OE #	F6SF-12A697AA, F6SZ-A	12124
1995	5.8L (H) 351"	w/OE #	F3DF-12A697AA, F4TF-AA	12125
1994	5.8L (R) 351"		F2DF-12A697AA	12100
2003-1999	7.3L (F) 446"	On Charge Air Cooler Mnfld, w/OE #	F6SZ-12A697A	12124
2003-1999	7.3L (F) 446"	Plastic Sensor,On Air Cleaner, w/OE #	F5AF-12A647A	12127
1997-1995	7.3L (F) 446"	Plastic Sensor w/OE #	F5AF-12A647A	12127
1997-1994	7.3L (F) 446"	Plastic Sensor,w/OE #	F3VY-12A647A	12063
1997-1996	7.5L (G) 460"	w/OE #	F5AF-12A697AA, F5AZ-A	12127
1997-1987	7.5L (G) 460"	w/OE #	F2DF-12A697AA	12100
1996	7.5L (G) 460"	w/OE #	F57F-12A697AA	12126
1995	7.5L (G) 460"	w/OE #,Cal.Only	F5AF-12A697A	12127
F450				
2003-1999	7.3L (F) 446"	On Charge Air Cooler Mnfld, w/OE #	F6SZ-12A697A	12124
2003-1999	7.3L (F) 446"	Plastic Sensor, On Air Cleaner, w/OE #	F5AF-12A697A	12127
1997-1998	7.5L (G) 460"		F2DF-12A697AA	12100
1997-1996	7.5L (G) 460"		F5AF-12A697AA	12127
1996	7.5L (G) 460"		F57F-12A697AA	12126
F53				
1996-1989	7.5L (G) 460"	w/OE #	F2DF-12A697AA	12100
1996	7.5L (G) 460"	w/OE #	F5AF-12A697AA	12127
1996	7.5L (G) 460"	w/OE #	F57F-12A697AA	12126
F550				
2003-1999	7.3L (F) 446"	Plastic Sensor,On Air Cleaner, w/OE #	F5AF-12A697A	12127
2003-1999	7.3L (F) 446"	On Charge Air Cooler Mnfld, w/OE #	F6SZ-12A697A	12124
10 CYL.				
E350				
2003-1997	6.8L (S) 413"	w/OE #	F57F-12A697AA, F57Z-A	12126
E450				
2003-2002	6.8L (S) 413"	w/OE #	F57F-12A697AA	12126
F250				
1999	6.8L (S) 415"		F57F-12A697AA	12126
F350				
1999	6.8L (S) 415"		F57F-12A697AA	12126
1996	6.8L (S) 415"		F57F-12A697AA	12126
F550				
1999	6.8L (S) 415"		F57F-12A697AA	12126

INTAKE AIR TEMPERATURE SENSORS

YEAR	ENGINE	FOOTNOTE	OE #	PART #
GEO				
3 CYL.				
Metro				
1996-1992	1.0L (6) 61"		96065716	12032
4 CYL.				
Metro				
1996-1995	1.3L (9) 79"		96065716	12032
Storm				
1991-1990	1.6L (5) 98"	DOHC	25037334	12101
1991-1990	1.6L (5) 98"	GSI	25037334	12101
1993-1990	1.6L (6) 98"	2x2	25037334	12101
1993-1990	1.6L (6) 98"	SOHC	25037334	12101
1993-1990	1.6L (6) 98"		25037334	12101
1993-1992	1.6L (8) 98"	GSI	25037334	12101
1993-1992	1.8L (8) 109"	DOHC	25037334	12101
GMC TRUCK				
4 CYL.				
LLV Postal Vehicle				
1995-1994	2.5L (E) 151"		25036751	12101
1993-1988	2.5L (E) 151"		25037225	12101
M Series				
1990-1987	2.5L (E) 151"		25037225	12101
S15				
1999-1994	2.2L (4) 134"		25037352	12130
1993-1988	2.5L (A) 151"		25037225	12101
1993-1988	2.5L (A) 151"		25037225	12101
1990-1987	2.5L (E) 151"		25036751	12101
1988-1987	2.5L (E) 151"		25036751	12101
1987	2.5L (E) 151"		25036751	12101
Safari				
1990-1987	2.5L (E) 151"		25037225	12101
Sonoma				
2003-1994	2.2L (4) 134"		12160244	12130
2002-2000	2.2L (5) 134"		12160244	12130
1993-1991	2.5L (A) 151"		25036751	12101
1991	2.5L (E) 151"		25036751	12101
T15				
1999-1994	2.2L (4) 134"		25037352	12130
1999-1994	2.2L (4) 134"		25037352	12130
1993-1988	2.5L (A) 151"		25037225	12101
1993-1988	2.5L (A) 151"		25037225	12101
1987	2.5L (E) 151"		25036751	12101
1987	2.5L (E) 151"		25036751	12101
Z1 Post Office Vehicle				
1987	2.5L (E) 151"		25036751	12101
6 CYL.				
C15				
1999-1996	4.3L (W) 262"		25037352	12130
C25				
1999-1996	4.3L (W) 262"		25037352	12130
C35				
1999-1996	4.3L (W) 262"		25037352	12130
Envoy				
2004-2002	4.2L (S) 256"		12160244	12130
2004-2002	4.2L (S) 256"		12160244	12130
2004	4.2L (S) 256"		12160244	12130
2001-1998	4.3L (W) 262"		12160244	12130

INTAKE AIR TEMPERATURE SENSORS

YEAR	ENGINE	FOOTNOTE	OE #	PART #
GMC TRUCK 6 CYL. (Cont'd)				
G15				
1999-1996	4.3L (W) 262"		25037352	12130
G25				
1999-1996	4.3L (W) 262"		25037352	12130
G35				
1999-1996	4.3L (W) 262"		25037352	12130
Jimmy				
2001-1995	4.3L (W) 262"		12160244	12130
K15				
1999-1996	4.3L (W) 262"		25037352	12130
K25				
1999-1996	4.3L (W) 262"		25037352	12130
K35				
1999-1996	4.3L (W) 262"		25037352	12130
L Series				
2001-1992	4.3L (W) 262"		12160244	12130
2003-2002	4.3L (X) 262"		12160244	12130
M Series				
2001-1992	4.3L (W) 262"		12160244	12130
2003-2002	4.3L (X) 262"		12160244	12130
P30				
1999-1996	4.3L (W) 262"		25037352	12130
S15				
1999-1994	4.3L (W) 262"		25037352	12130
1994-1992	4.3L (W) 262"		12160244	12130
1994	4.3L (W) 262"		25036751	12101
1994	4.3L (Z) 262"		25036751	12101
Safari				
2001-1992	4.3L (W) 262"		12160244	12130
2001-1992	4.3L (W) 262"		12160244	12130
2004-2002	4.3L (X) 262"		12160244	12130
2004	4.3L (X) 262"		12160244	12130
2003-2002	4.3L (X) 262"		12160244	12130
1994-1992	4.3L (Z) 262"		12160244	12130
Savana				
2002-1999	4.3L (W) 262"		12160244	12130
2002-1999	4.3L (W) 262"		12160244	12130
1999-1996	4.3L (W) 262"		12160244	12130
1998-1996	4.3L (W) 262"		12160244	12130
1998-1996	4.3L (W) 262"		12160244	12130
Sierra				
1998-1996	4.3L (W) 262"		12160244	12130
Sonoma				
2002-1992	4.3L (W) 262"		12160244	12130
1992	4.3L (W) 262"		12160244	12130
2004-2003	4.3L (X) 262"		12160244	12130
1999-1996	4.3L (X) 262"		12160244	12130
1995	4.3L (X) 262"		12160244	12130
Syclone				
1991	4.3L (Z) 262"		25036751	12101
T15				
1999-1996	4.3L (W) 262"		25037352	12130
1999-1996	4.3L (W) 262"		25037352	12130

INTAKE AIR TEMPERATURE SENSORS

YEAR	ENGINE	FOOTNOTE	OE #	PART #
GMC TRUCK 6 CYL. (Cont'd)				
Typhoon				
1994-1992	4.3L (Z) 262"	ZR9	25036751	12101
8 CYL.				
C15				
1999-1996	5.0L (M) 305"		25037352	12130
1999-1996	5.7L (R) 350"		25037352	12130
1998-1994	6.5L (F) 395"		25037334	12101
1998-1994	6.5L (S) 395"		25037334	12101
C209				
1995-1994	6.5L (F) 395"	Diesel	25037334	12101
C25				
1999-1996	5.0L (M) 305"		25037352	12130
2000-1996	5.7L (R) 350"		25037352	12130
2000-1994	6.5L (F) 395"		25037334	12101
1995-1994	6.5L (P) 395"		12160244	12130
1998-1994	6.5L (S) 395"		25037334	12101
2000-1996	7.4L (J) 454"		25037352	12130
C309				
1995-1994	6.5L (F) 395"	Diesel	25037334	12101
C35				
2000-1996	5.7L (R) 350"		25037352	12130
2002-2001	6.5L (F) 395"	HD Chassis	25037334	12101
2000-1994	6.5L (F) 395"		25037334	12101
1998-1997	6.5L (S) 395"		25037334	12101
2000-1996	7.4L (J) 454"		25037352	12130
Envoy				
2004-2002	5.3L (P) 323"		12160244	12130
2004	5.3L (P) 323"		12160244	12130
G15				
1999-1996	5.0L (M) 305"		25037352	12130
1999-1996	5.7L (R) 350"		25037352	12130
G25				
1999-1996	5.0L (M) 305"		25037352	12130
1999-1996	5.7L (R) 350"		25037352	12130
1998-1996	6.5L (F) 395"		25037334	12101
1995-1994	6.5L (P) 395"		12160244	12130
G35				
1999-1996	5.7L (R) 350"		25037352	12130
1998-1996	6.5L (F) 395"		25037334	12101
1999-1996	7.4L (J) 454"		25037352	12130
K15				
1999-1996	5.0L (M) 305"		25037352	12130
1999-1996	5.7L (R) 350"		25037352	12130
1998-1994	6.5L (F) 395"		25037334	12101
1998-1994	6.5L (S) 395"		25037334	12101
K209				
1995-1994	6.5L (F) 395"	Diesel	25037334	12101
K25				
1999-1996	5.0L (M) 305"		25037352	12130
2000-1996	5.7L (R) 350"		25037352	12130
2000-1994	6.5L (F) 395"		25037334	12101
1998-1994	6.5L (S) 395"		25037334	12101
2000-1996	7.4L (J) 454"		25037352	12130
K309				
1995-1994	6.5L (F) 395"	Diesel	25037334	12101

INTAKE AIR TEMPERATURE SENSORS

YEAR	ENGINE	FOOTNOTE	OE #	PART #
GMC TRUCK 8 CYL. (Cont'd)				
K35				
2000-1996	5.7L (R) 350"		25037352	12130
2000-2001	6.5L (F) 395"	HD Chassis	25037334	12101
2000-1994	6.5L (F) 395"		25037334	12101
1998-1997	6.5L (S) 395"		25037334	12101
2000-1996	7.4L (J) 454"		25037352	12130
MD BUS				
1998-1997	6.5L (F) 395"		25037334	12101
2000-1999	7.4L (G) 454"		12160244	12130
P35				
1999-1996	5.7L (R) 350"		25037352	12130
1999-1994	6.5L (F) 395"		25037334	12101
1996-1994	6.5L (S) 395"		25037334	12101
1999-1996	6.5L (Y) 395"		12160244	12130
1999-1998	7.4L (B) 454"		12160244	12130
1999-1996	7.4L (J) 454"		25037352	12130
Savana				
2002-1999	5.0L (M) 305"		12160244	12130
2002-1999	5.0L (M) 305"		12160244	12130
2002-1999	5.0L (M) 305"		12160244	12130
1999-1996	5.0L (M) 305"		12160244	12130
1999-1996	5.0L (M) 305"		12160244	12130
2002-1999	5.7L (R) 350"		12160244	12130
2002-1999	5.7L (R) 350"		12160244	12130
2002-1999	5.7L (R) 350"		12160244	12130
1999-1996	5.7L (R) 350"		12160244	12130
1999-1996	5.7L (R) 350"		12160244	12130
1999-1996	5.8L (R) 350"		12160244	12130
2002-1999	6.5L (F) 395"		25037334	12101
2002-1999	6.5L (F) 395"		25037334	12101
1997-1996	6.5L (F) 395"		25037334	12101
1996	6.5L (F) 395"		25037334	12101
1995-1994	6.5L (P) 395"		12160244	12130
1999-1996	7.4L (J) 454"		12160244	12130
2002-2001	8.1L (G) 496"		12160244	12130
Sierra				
1999-1996	5.0L (M) 305"		12160244	12130
1999-1996	5.0L (M) 305"		12160244	12130
2000-1996	5.7L (R) 350"		12160244	12130
2000-1996	5.7L (R) 350"		12160244	12130
1999-1996	5.7L (R) 350"		12160244	12130
1998-1997	6.5L (F) 395"	XC Models	25037334	12101
1998-1994	6.5L (F) 395"	XC Models	25037334	12101
1998-1994	6.5L (F) 395"		25037334	12101
1998-1994	6.5L (F) 395"		25037334	12101
1997-1994	6.5L (F) 395"	XC Models	25037334	12101
1997-1994	6.5L (F) 395"		25037334	12101
1995-1994	6.5L (P) 395"		12160244	12130
1995-1994	6.5L (P) 395"		12160244	12130
1998-1994	6.5L (S) 395"	XC Models	25037334	12101
1998-1994	6.5L (S) 395"		25037334	12101
1998-1994	6.5L (S) 395"	XC Models	25037334	12101
1998-1994	6.5L (S) 395"		25037334	12101
1997	6.5L (S) 395"	XC Models	25037334	12101

INTAKE AIR TEMPERATURE SENSORS

YEAR	ENGINE	FOOTNOTE	OE #	PART #
GMC TRUCK 8 CYL. Sierra (Cont'd)				
2000-1996	7.4L (J) 454"		12160244	12130
2000-1996	7.4L (J) 454"		12160244	12130
Suburban				
1999-1996	5.7L (R) 350"		12160244	12130
1999-1996	5.7L (R) 350"		12160244	12130
1999-1996	5.7L (R) 350"		12160244	12130
1999-1996	5.7L (R) 350"		12160244	12130
1999-1994	6.5L (F) 395"		25037334	12101
1999-1994	6.5L (F) 395"		25037334	12101
1999-1996	7.4L (J) 454"		12160244	12130
1999-1996	7.4L (J) 454"		12160244	12130
Topkick				
2000-1999	7.4L (D) 454"		12160244	12130
2001	8.1L (E) 496"		12160244	12130
Yukon				
2000-1996	5.7L (R) 350"		12160244	12130
2000-1996	5.7L (R) 350"		12160244	12130
1997-1994	6.5L (S) 395"		25037334	12101
HONDA TRUCK				
4 CYL.				
Passport				
1996	2.6L (E) 156"		8-12160-244-0	12130
6 CYL.				
Passport				
2000-1996	3.2L (V) 193"	SOHC	8-12160-244-0	12130
1995-1994	3.2L (V) 193"	SOHC	8-25037-334-0	12101
Vehicross				
2001-1999	3.5L (6VE1,RJQ)		8-12160-244-0	12130
ISUZU				
4 CYL.				
Impulse				
1992-1991	1.6L (4) 98"	DOHC,Turbo	0-25037-334-0	12101
1991	1.6L (4) 98"	RS Models	25037334	12101
1992-1990	1.6L (5) 98"	DOHC	0-25037-324-1	12101
1991	1.6L (5) 98"	XS Models	25037334	12101
1990	1.6L (5) 98"		25037334	12101
1993-1991	1.8L (8) 98"	DOHC	0-25037-324-1	12101
1992-1991	1.8L (8) 98"	DOHC	0-25037-334-0	12101
Stylus				
1992-1990	1.6L (5) 98"	DOHC	0-25037-324-1	12101
1993-1990	1.6L (6) 98"	SOHC	0-25037-324-1	12101
1991	1.6L (6) 98"	S Models	25037334	12101
1993-1991	1.8L (8) 98"	DOHC	0-25037-324-1	12101
ISUZU TRUCK				
4 CYL.				
Amigo				
1999-1998	2.2L (D) 134"		8-12160-244-0	12130
Hombre				
1998-1996	2.2L (4) 134"		8-12110-319-0	12130
Rodeo				
2001-1998	2.2L (D) 122"		8-12160-244-0	12130
1997-1991	2.4L (E) 148"		25037334	12101
1997-1995	2.6L (E) 156"	From 12/95	8-12160-244-0	12130
Trooper				
1991	2.6L (E) 156"		8-12160-244-0	12130

INTAKE AIR TEMPERATURE SENSORS

YEAR	ENGINE	FOOTNOTE	OE #	PART #
ISUZU TRUCK (Cont'd)				
6 CYL.				
Amigo				
1999-1998	3.2L (W) 193"	DOHC	8-12160-244-0	12130
Hombre				
1998-1997	4.3L (Z) 262"		8-12110-319-0	12130
Passport				
1995-1994	3.2L (V) 193"		8-25037-334-0	12101
Rodeo				
1992-1991	3.1L (Z) 189"	w/OE #	25037334	12101
1992-1991	3.1L (Z) 189"	w/OE #	8-12160-244-0	12130
2000-1998	3.2L (6VD1) 193"		8-12160-244-0	12130
2003-1995	3.2L (V) 193"	From 12/95	8-12160-244-0	12130
1997-1993	3.2L (V) 193"		8-12160-244-0	12130
1997-1992	3.2L (V) 193"		25037334	12101
2003-1997	3.2L (W) 193"	DOHC From 7/97 to 7/03	8-12160-244-0	12130
2001	3.2L (W) 193"		8-12160-244-0	12130
Trooper				
1991	2.8L (R) 171"	w/OE #	8-25037-334-0	12101
2002-1996	3.2L (V) 193"	SOHC	8-12160-244-0	12130
1995-1994	3.2L (V) 193"	SOHC	8-25037-334-0	12101
1997-1996	3.2L (W) 193"	DOHC	8-12160-244-0	12130
2001-1998	3.5L (X) 215"	DOHC	8-12160-244-0	12130
8 CYL.				
NPR-W3500				
1998-1996	5.7L (R) 350"		8-12160-244-0	12130
NPR-W4500				
1998-1996	5.7L (R) 350"		8-12160-244-0	12130
JEEP				
4 CYL.				
Cherokee				
1990-1989	2.5L (E) 150"	w/Pigtail	33002382	12120
1990-1989	2.5L (E) 150"	w/o Pigtail	33004280	12118
1988-1986	2.5L (H) 150"	w/o Pigtail	33004280	12118
1988	2.5L (H) 150"	w/Pigtail	33002382	12120
2000-1997	2.5L (P) 150"		56027872	12133
1996-1991	2.5L (P) 150"	w/o Pigtail	33004280	12118
1985-1984	2.5L (U) 150"	w/Pigtail	33002382	12120
CJ7				
1986	2.5L (H) 150"	w/Pigtail	33002382	12120
1985-1984	2.5L (U) 150"	w/Pigtail	33002382	12120
CJ8				
1985-1984	2.5L (U) 150"	w/Pigtail	33002382	12120
Comanche				
1990-1989	2.5L (E) 150"	w/Pigtail	33002382	12120
1990-1989	2.5L (E) 150"	w/o Pigtail	33004280	12118
1988-1986	2.5L (H) 150"	w/o Pigtail	33004280	12118
1988	2.5L (H) 150"	w/Pigtail	33002382	12120
1992-1991	2.5L (P) 150"	w/o Pigtail	33004280	12118
Wagoneer				
1990-1989	2.5L (E) 150"	w/o Pigtail	33004280	12118
1990-1989	2.5L (E) 150"	w/Pigtail	33002382	12120
1988-1986	2.5L (H) 150"	w/Pigtail	33002382	12120
1988	2.5L (H) 150"	w/o Pigtail	33004280	12118
1992-1991	2.5L (P) 150"	w/o Pigtail	33004280	12118
1985-1984	2.5L (U) 150"	w/Pigtail	33002382	12120

INTAKE AIR TEMPERATURE SENSORS

YEAR	ENGINE	FOOTNOTE	OE #	PART #
JEEP 4 CYL. (Cont'd)				
Wrangler				
1990-1989	2.5L (E) 150"	w/o Pigtail	33004280	12118
1988	2.5L (H) 150"	w/o Pigtail	33004280	12118
1987	2.5L (H) 150"	w/Pigtail	33002382	12120
2002-1997	2.5L (P) 150"		56027872	12133
1996-1991	2.5L (P) 150"	w/o Pigtail	33004280	12118
6 CYL. Cherokee				
1990-1989	4.0L (L) 242"	w/o Pigtail	33004280	12118
1990-1989	4.0L (L) 242"	w/Pigtail	33002382	12120
1988-1987	4.0L (M) 242"	w/Pigtail	33002382	12120
1988	4.0L (M) 242"	w/o Pigtail	33004280	12118
2000-1997	4.0L (S) 242"		56027872	12133
1997-1991	4.0L (S) 242"	w/o Pigtail	33004280	12118
Comanche				
1990-1989	4.0L (L) 242"	w/o Pigtail	33004280	12118
1990-1989	4.0L (L) 242"	w/Pigtail	33002382	12120
1988-1987	4.0L (M) 242"	w/Pigtail	33002382	12120
1988	4.0L (M) 242"	w/o Pigtail	33004280	12118
1992-1991	4.0L (S) 242"	w/o Pigtail	33004280	12118
Grand Cherokee				
2002-1997	4.0L (S) 242"		56027872	12133
1997-1993	4.0L (S) 242"	w/o Pigtail	33004280	12118
Wagoneer				
1990-1989	4.0L (L) 242"	w/Pigtail	33002382	12120
1990-1989	4.0L (L) 242"	w/o Pigtail	33004280	12118
1988-1987	4.0L (M) 242"	w/Pigtail	33002382	12120
1988	4.0L (M) 242"	w/o Pigtail	33004280	12118
1997-1993	4.0L (S) 242"	w/o Pigtail	33004280	12118
Wrangler				
2002-1997	4.0L (S) 242"		56027872	12133
1997-1991	4.0L (S) 242"	w/o Pigtail	33004280	12118
1988-1989	4.2L (C) 258"	w/o Pigtail	33004280	12118
1989	4.2L (M) 258"	w/o Pigtail	33004280	12118
1989	4.2L (T) 258"	w/o Pigtail	33004280	12118
8 CYL. Grand Cherokee				
2000-1999	4.7L (N) 287"		56027872	12133
1997	5.2L (Y) 318"		56027872	12133
1996-1994	5.2L (Y) 318"		33004280	12118
1998	5.9L (Z) 360"		56027872	12133
Grand Wrangler				
1991-1989	5.9L (7) 360"	w/o Pigtail	33004280	12118
1988	5.9L (N) 360"	w/o Pigtail	33004280	12118
J10				
1988	5.9L (N) 360"	w/o Pigtail	33004280	12118
J20				
1988	5.9L (N) 360"	w/o Pigtail	33004280	12118
LINCOLN				
6 CYL. Continental				
1994-1988	3.8L (4) 232"		E1AF-12A697AA, E1AZ-A, E4AF-AA, BA, F2DE-AA, BA	12100
LS				
2003-2000	3.0L (S) 183"		F57F-12A697AA, AB	12126

INTAKE AIR TEMPERATURE SENSORS

YEAR	ENGINE	FOOTNOTE	OE #	PART #
LINCOLN (Cont'd)				
8 CYL. Continental				
2002-1995	4.6L (V) 281"		F57F-12A697AA, F57Z-A	12126
1987-1986	5.0L (E) 302"		F2DF-12A697AA, E4AF-AA	12100
1987-1980	5.0L (F) 302"		F2DF-12A697AA, E4AF-AA	12100
Lincoln				
1981-1980	5.0L (F) 302"		E1AF-12A697AA, E1AZ-A	12100
LS				
2003-2000	3.9L (A) 242"		F57F-12A697AA, AB	12126
Mark				
1998-1997	4.6L (V) 281"		F57F-12A697AA, F57Z-A	12126
Mark LSC				
1986-1985	5.0L (F) 302"	HO-CFI	F2DF-12A697AA, E4AF-AA	12100
1987	5.0L (M) 302"	H.O.	F2DF-12A697AA, E4AF-AA	12100
Mark VI				
1983-1980	5.0L (F) 302"		E1AF-12A697AA, E1AZ-A	12100
Mark VII				
1992-1986	5.0L (E) 302"		E1AF-12A697AA, E1AZ-A	12100
1987-1984	5.0L (F) 302"		F2DF-12A697AA	12100
1987-1985	5.0L (M) 302"		F2DF-12A697AA	12100
Mark VIII				
1998-1997	4.6L (V) 281"		E57F-12A697AA	12126
1996	4.6L (V) 281"		F6SF-12A697AA	12124
1995-1993	4.6L (V) 281"		E7AF-12A697AA	12117
1994-1993	4.6L (V) 281"		F2DF-12A697AA, E4AF-AA	12100
Town Car				
2003-1995	4.6L (W) 281"		F5AF-12A697AA	12127
1994-1991	4.6L (W) 281"		E7AF-12A697AA	12117
1994-1991	4.6L (W) 281"	w/OE #	E1AZ-12A697A, D3DF-E2DF-AA, E4AF-AA, E7AF-AA	12100
1990-1986	5.0L (E) 302"		F2DF-12A697AA, E4AF-AA	12100
1990-1981	5.0L (F) 302"		F2DF-12A697AA, E4AF-AA	12100
LINCOLN TRUCK				
8 CYL. Blackwood				
2003-2002	5.4L (A) 330"		F57F-12A697AB	12126
Navigator				
2001-1999	5.4L (A) 330"		F57F-12A697AB	12126
2000-1998	5.4L (L) 330"		F57F-12A697AB	12126
MAZDA				
4 CYL.				
626				
2002-1998	2.0L (C) 121"		FSB9-18-845	12129
1997-1996	2.0L (FS) 121"	AT	FSB9-18-845	12129
1997-1994	2.0L (FS) 121"	MT	FS01-18-845	12119
1995-1994	2.0L (FS) 121"	AT	FS15-18-845A	12117
1993	2.0L (FS) 121"		FS01-18-845	12119
MX6				
1997-1996	2.0L (FS) 121"	AT	FSB9-18-845	12129
1997-1994	2.0L (FS) 121"	MT	FS01-18-845	12119
1995-1994	2.0L (FS) 121"	AT	FS15-18-845A	12117
1993	2.0L (FS) 121"		FS01-18-845	12119
6 CYL.				
626				
2002-1998	2.5L (D) 153"		FSB9-18-845	12129

INTAKE AIR TEMPERATURE SENSORS

YEAR	ENGINE	FOOTNOTE	OE #	PART #
MAZDA TRUCK				
4 CYL.				
B2300				
2003-2001	2.3L 140"		F57F-12A697AA	12126
1997-1995	2.3L (A) 140"		ZZM2-18-845	12126
6 CYL.				
B2500				
2001-1998	2.5L (C) 153"		ZZM2-18-845	12126
B3000				
2001	3.0L (U) 183"		F5AF-12A697AA	12127
2000-1995	3.0L (U) 183"		ZZM2-18-845	12126
1994	3.0L (U) 183"		ZZM0-18-845	12117
1994	3.0L (U) 183"		ZZM1-18-845	12100
B4000				
2001	4.0L (X) 241"		F5AF-12A697AA	12127
2000-1995	4.0L (X) 241"	w/OE #	ZZM2-18-845	12126
1999	4.0L (X) 241"		ZZM3-18-845	12124
Navajo				
1994-1993	4.0L (X) 241"		ZZM1-18-845	12100
1992-1991	4.0L (X) 241"		ZZL1-18-845	12100
MERCURY				
4 CYL.				
Cougar				
1999	2.0L (3) 122"		F57F-12A697AA	12126
Lynx				
1990-1987	1.9L (9) 116"		E1AF-12A697AA, E1AZ-A, E4AF-AA, BA, E4DF-AA, E7AF-AA	12100
1990-1987	1.9L (J) 116"		E1AF-12A697AA, E1AZ-A, E4AF-AA, BA, E4DF-AA, E7AF-AA	12100
1987	2.0L (4) 122"		E1AF-12A697AA, E1AZ-A, E4AF-AA, BA, E4DF-AA, E7AF-AA	12100
Mystique				
1999-1998	2.0L (3) 122"		F57F-12A697AA, F57Z-A	12126
1997-1996	2.0L (3) 122"		F6SF-12A697AA, F6SZ-A	12124
1995	2.0L (3) 122"		F2DF-12A697AA	12100
Sable				
1986	2.5L (D) 153"		E1AF-12A697AA, E1AZ-A, E4AF-AA, BA, E7AF-AA	12100
Topaz				
1984	2.3L (R) 140"		E1AF-12A697AA, E1AZ-A, E4AF-AA, BA, E7AF-AA	12100
1991-1985	2.3L (S) 140"		E1AF-12A697AA, E1AZ-A, E4AF-AA, BA, E7AF-AA	12100
1994-1992	2.3L (X) 140"	HSC	F1AF-12A697AA, F32F-AA	12117
1991-1985	2.3L (X) 140"		E1AF-12A697AA, E1AZ-A, E4AF-AA, BA, E7AF-AA	12100
Tracer				
1996	1.9L (J) 116"		F6SF-12A697AA, F6SZ-A	12124
1995-1991	1.9L (J) 116"		F1AF-12A697AA, F32F-AA	12117
1999-1997	2.0L (P) 122"		F57F-12A697AA, F57Z-A	12126
6 CYL.				
Capri				
1986-1984	3.8L (3) 232"		E1AF-12A697AA, E1AZ-A, E4AF-AA, BA	12100
Cougar				
2002	2.5L (G) 155"		F57F-12A697AA	12126
2001	2.5L (G) 155"		F5AF-12A697AA	12127
2002	2.5L (L) 155"		F57F-12A697AA	12126
2001-1999	2.5L (L) 155"		F5AF-12A697AA	12127

INTAKE AIR TEMPERATURE SENSORS

YEAR	ENGINE	FOOTNOTE	OE #	PART #
MERCURY 6 CYL. Cougar (Cont'd)				
1986-1984	3.8L (3) 232"		E1AF-12A697AA, E1AZ-A, E4AF-AA, BA	12100
1997-1996	3.8L (4) 232"		F5AF-12A697AA, F5AZ-A	12127
1995-1994	3.8L (4) 232"		F1AF-12A697AA	12117
1995-1993	3.8L (4) 232"		F2DF-12A697AA	12100
1993-1987	3.8L (4) 232"		E1AF-12A698AA, E4AF-AA, F2DF-AA, F2DZ-A	12100
Marquis				
1986-1984	3.8L (3) 232"		E1AF-12A697AA, E1AZ-A, E4AF-AA, BA	12100
Mystique				
2000-1996	2.5L (L) 155"	w/OE #	F5AF-12A697AA, F5AZ-A	12127
1998	2.5L (L) 155"	24V	F57F-12A697AA, F57Z-A	12126
1995	2.5L (L) 155"		F3DF-12A697AA, F4TF-AA	12125
Sable				
1999-1996	3.0L (S) 183"	DOHC,24V	F5AF-12A697AA, F5AZ-A	12127
1999-1996	3.0L (U) 183"	SOHC,12V	F57F-12A697AA, F57Z-A	12126
1995-1986	3.0L (U) 183"		E1AF-12A697AA, E1AZ-A, E4AF-AA, E7AF-AA	12100
1994-1992	3.0L (U) 183"		F1AF-12A697AA, F32F-AA	12117
1995-1994	3.8L (4) 232"		F1AF-12A697AA	12117
1995-1987	3.8L (4) 232"		E1AF-12A698AA, E4AF-AA, F2DF-AA, F2DZ-A	12100
Topaz				
1994-1992	3.0L (U) 183"		F1AF-12A697AA, F32F-AA	12117
1993-1992	3.0L (U,Y) 183"		E4AF-12A697AA, BA, E7AF- AA, F2DF-AA, F2DZ-A	12100
8 CYL.				
Capri				
1984	5.0L (F) 302"		E1AF-12A697AA, E1AZ-A, E4AF-AA, BA, F1AF-BA, F2DF-AA, F2DZ-A	12100
1986-1985	5.0L (M) 302"		E1AF-12A697AA, E1AZ-A, E4AF-AA, BA, F1AF-BA, F2DF-AA, F2DZ-A	12100
Colony Park				
1991-1983	5.0L (F) 302"		E4AF-12A697AA	12100
Cougar				
1997-1996	4.6L (W) 281"		F5AF-12A697AA, F5AZ-A	12127
1994-1992	4.6L (W) 281"		F1AF-12A697AA, F32F-AA	12117
1987-1984	5.0L (3) 302"		E1AF-12A697AA, E1AZ-A, E4AF-AA, BA, F1AF-BA, F2DF-AA, F2DZ-A	12100
1988-1983	5.0L (F) 302"		E1AF-12A697AA, E1AZ-A, E4AF-AA, BA, F1AF-BA, F2DF-AA, F2DZ-A	12100
1992-1991	5.0L (T) 302"		E1AF-12A697AA, E1AZ-A, E4AF-AA, BA, F1AF-BA, F2DF-AA, F2DZ-A	12100
Grand Marquis				
1997-1996	4.6L (6) 281"		F5AF-12A697AA, F5AZ-A	12127
2004-1996	4.6L (W) 281"	Used for Ambient Air Temp.	F2AF-12A648AA	12011
2002-1995	4.6L (W) 281"		F5AF-12A697AA, F5AZ-A	12127
1994-1992	4.6L (W) 281"		F1AF-12A697AA, F32F-AA	12117
1993-1992	4.6L (W) 281"		E4AF-12A697AA, E7AF-AA, F2DF-AA, F2DZ-A	12100
1991-1983	5.0L (F) 302"		E4AF-12A697AA	12100
1990	5.8L (G) 351"	Police	E4AF-12A697A	12100
Marquis				
1985-1981	5.0L (F) 302"		E1AF-12A697AA, E1AZ-A, E4AF-AA, BA, F1AF-BA, F2DF-AA, F2DZ-A	12100
Mercury				
1981-1980	5.0L (F) 302"	w/E.E.C.	E1AZ-12A697A	12100

INTAKE AIR TEMPERATURE SENSORS

YEAR	ENGINE	FOOTNOTE	OE #	PART #
MERCURY TRUCK				
6 CYL. Mountaineer				
1998-1997	4.0L (E) 245"	w/OE #	F57F-12A697-AA	12126
1998	4.0L (E) 245"	w/OE #	F6SF-12A697AA	12124
1998	4.0L (X) 245"	w/OE #	F6SF-12A697AA	12124
Villager				
1998-1996	3.0L (1) 181"		F6XF-12A697AA, F6XZ-AA	12123
2002-1999	3.3L (T) 201"		F6XF-12A697AA, F6XZ-AA	12123
8 CYL. Mountaineer				
2000-1997	5.0L (P) 302"	w/OE #	F57F-12A697AA	12126
MERKUR				
6 CYL. Scorpio				
1989-1988	2.9L (V) 177"		E4AF-12A697AA	12100
NISSAN				
4 CYL. Altima				
1999-1998	2.4L (KA24DE) 146"		22630-1B000	12123
NISSAN TRUCK				
4 CYL. Frontier				
1999-1998	2.4L (KA24DE) 146"		22630-1B000	12123
6 CYL. Frontier				
1999	3.3L (VG33E) 201"		22630-1B000	12123
Quest				
1998-1996	3.0L (VG30E) 181"		22630-1B000	12123
1999	3.3L (VG33E) 201"		22630-1B000	12123
OLDSMOBILE				
4 CYL. Achieva				
1994-1992	2.3L (3) 140"		25036979	12001
1994-1991	2.3L (A) 140"		25036979	12001
1995-1992	2.3L (D) 140"		25036979	12001
1998-1996	2.4L (T) 146"		12160244, 25037352	12130
Alero				
2004-2002	2.2L (F) 134"		12160244	12130
2001-1999	2.4L (T) 146"		12160244, 25037352	12130
Calais				
1989-1987	2.3L (D) 140"		25037195	12115
1991-1988	2.5L (U) 151"		25037225	12101
1987	2.5L (U) 151"		25036751	12101
Ciera				
1996-1993	2.2L (4) 134"		12160244	12130
1987	2.5L (R) 151"		25036751	12101
Cutlass				
1996-1993	2.2L (4) 134"	A Body	12160244, 25037352	12130
1995-1993	2.2L (4) 134"		12160244	12130
1994-1993	2.2L (4) 134"		12160244	12130
1990-1989	2.3L (A) 140"		25036751	12101
1990	2.3L (A) 140"	In Air Cleaner	12110320	12116
1990	2.3L (A) 140"		25036751	12101
1991-1990	2.3L (D) 140"	In Air Cleaner	12110320	12116
1991	2.3L (D) 140"		25036979	12001
1990	2.3L (D) 140"		25036751	12101
1990	2.3L (D) 140"		25036751	12101
1998-1997	2.4L (T) 146"		12160244, 25037352	12130

INTAKE AIR TEMPERATURE SENSORS

YEAR	ENGINE	FOOTNOTE	OE #	PART #
OLDSMOBILE 4 CYL. Cutlass (Cont'd)				
1993	2.5L (R) 151"		25036751	12101
1993	2.5L (R) 151"		25036751	12101
1992-1988	2.5L (R) 151"		25037225	12101
Firenza				
1986	1.8L (O) 111"		25036751	12101
1987	2.0L (1) 121"		25036751	12101
1988-1987	2.0L (K) 121"	Clip-on	25037309	12115
1988-1987	2.0L (K) 121"		25036751	12101
6 CYL. 98 Regency				
1986	3.8L (B) 231"		25036751	12101
1996-1995	3.8L (K) 231"		25037352	12130
1994-1992	3.8L (L,1) 231"		25037357	12116
Achieva				
1998-1994	3.1L (M) 189"		12160244, 25037352	12130
Alero				
2004-1999	3.4L (E) 207"		12160244, 25037352	12130
Aurora				
2002-2001	3.5L (H) 214"		12160244	12130
Brougham				
1989	2.8L (W) 173"		25037195	12115
Calais				
1988-1985	3.0L (L) 181"		25036751	12101
Ciera				
1989-1988	2.8L (W) 173"		25036751	12101
1989	2.8L (W) 173"		25037195	12115
1987-1986	2.8L (W) 173"		25036751	12101
1986	2.8L (X) 173"		25036751	12101
1996-1993	3.1L (M) 189"		12160244	12130
1988	3.8L (3) 231"		25036751	12101
1986	3.8L (B) 231"		25036751	12101
Cutlass				
1989-1988	2.8L (W) 173"		25036751	12101
1989-1988	2.8L (W) 173"		25036751	12101
1989	2.8L (W) 173"		25037195	12115
1989	2.8L (W) 173"		25037195	12115
1999	3.1L (J) 189"		12160244, 25037352	12130
1999-1997	3.1L (M) 189"	N Body	12160244, 25037352	12130
1997-1994	3.1L (M) 189"		12160244, 25037352	12130
1996-1994	3.1L (M) 189"	A Body	12160244, 25037352	12130
1995-1994	3.1L (M) 189"		12160244, 25034352	12130
1994-1993	3.1L (M) 189"		12160244	12130
1994-1991	3.1L (M) 189"	In Air Cleaner	25037195	12115
1991-1990	3.1L (M) 189"	In Air Cleaner	12110320	12116
1993-1992	3.1L (T) 189"	W Body	25171651	12116
1991-1989	3.1L (T) 189"		25037195	12115
1993	3.3L (N) 189"	A Body	12160244, 25037352	12130
1993	3.3L (N) 204"		12160244	12130
1993	3.3L (N) 204"		12160244, 25034352	12130
1997-1994	3.4L (X) 207"		25037352	12130
1995-1992	3.4L (X) 207"		25037357	12116
1995-1992	3.4L (X) 207"	W Body	25171651	12116
1991	3.4L (X) 207"	In Air Cleaner	12110320	12116

INTAKE AIR TEMPERATURE SENSORS

YEAR	ENGINE	FOOTNOTE	OE #	PART #
OLDSMOBILE 6 CYL. (Cont'd)				
Delta 88				
1987-1986	3.0L (L) 181"		25036751	12101
1999-1996	3.8L (1) 231"		12160244	12130
1995	3.8L (1) 231"		25171651	12116
1988-1986	3.8L (3) 231"		25036751	12101
1986	3.8L (B) 231"		25036751	12101
1991	3.8L (C) 231"		25036751	12101
1990-1988	3.8L (C) 231"		25036751	12101
1999-1995	3.8L (K) 231"		12160244	12130
1992	3.8L (L) 231"		25037313	12116
Firenza				
1987-1985	2.8L (W) 173"		25036751	12101
Intrigue				
2002-1999	3.5L (H) 214"		12160246	12131
1999-1998	3.8L (K) 231"		12160244, 25037352	12130
LSS				
1999-1996	3.8L (1) 231"		12160244	12130
1999-1996	3.8L (K) 231"		12160244	12130
Regency				
1990-1988	3.8L (C) 231"		25036751	12101
1998-1997	3.8L (K) 231"		12160244	12130
1992-1991	3.8L (L) 231"		25037313, 25037357	12116
Regency Elite				
1991	3.8L (L) 231"		25036751	12101
Royal 98				
1992	3.8L (L) 231"		25037313	12116
Royale				
1991	3.8L (C) 231"		25036751	12101
Toronado				
1986	3.8L (B) 231"		25036751	12101
1990-1988	3.8L (C) 231"		25036751	12101
1991	3.8L (L) 231"		25036751	12101
Touring Sedan				
1990-1988	3.8L (C) 231"		25036751	12101
1991	3.8L (L) 231"		25036751	12101
Trofeo				
1990-1988	3.8L (C) 231"		25036751	12101
1991	3.8L (L) 231"		25036751	12101
8 CYL.				
Aurora				
1999-1998	4.0L (C) 244"		12160246	12131
1997-1995	4.0L (C) 244"		12129627	12132
Custom Cruiser				
1992-1991	5.0L (E) 305"		25037229, 313, 357	12116
1992-1991	5.7L (7) 350"		25037229, 313, 357	12116
OLDSMOBILE TRUCK				
6 CYL.				
Bravado				
2003	4.2L (S) 256"		12160244	12130
2001-1992	4.3L (W) 262"		12160244	12130
1993-1992	4.3L (Z) 262"		25036751	12101
1993-1991	4.3L (Z) 262"		25036751	12101
Silhouette				
2003-1996	3.4L (E) 207"		12160244, 25037352	12130
1992	3.8L (L) 231"		25037313	12116

INTAKE AIR TEMPERATURE SENSORS

YEAR	ENGINE	FOOTNOTE	OE #	PART #
PLYMOUTH				
4 CYL.				
Acclaim				
1991-1989	2.5L (J) 153"		33004280	12118
1993-1989	2.5L (K) 153"		33004280	12118
1993	2.5L (V) 153"		33004280	12118
All				
1993-1988	2.2L (D) 135"	w/o Turbo	5226504	12107
1993-1988	2.5L (K) 153"	w/o Turbo	5226504	12107
Breeze				
1999-1997	2.0L (C) 122"		56027872	12133
1996	2.0L (C) 122"		33004280	12118
1999-1997	2.4L (X) 148"		56027872	12133
Caravelle				
1988-1987	2.2L (C,D,E) 135"		5226355	12014
1987-1984	2.2L (C,D,E,F,8) 135"	EGR Charge Temperature Sensor	4111482	12105
1993-1986	2.2L (D) 135"	w/o Turbo	4300251	12107
1988	2.2L (D) 135"		33004280	12118
1988-1987	2.5L (K) 153"		5226355	12014
1988	2.5L (K) 153"		33004280	12118
1987-1986	2.5L (K) 153"	EGR Charge Temperature Sensor	4111482	12105
Horizon				
1983-1982	1.7L (A,B) 104"		4091719	12104
1983-1982	2.2L (B,C,D,E) 135"		4091719	12104
1983-1982	2.2L (B,C,D,E) 135"		4145716	12103
1987-1984	2.2L (C,D,E,F,8) 135"	EGR Charge Temperature Sensor	4111482	12105
1990-1988	2.2L (D) 135"		33004280	12118
1993-1986	2.5L (K) 153"	w/o Turbo	4300251	12107
Laser				
1984	2.2L (C,D) 135"		5213463	12110
1986-1985	2.2L (C,D,E,F,8) 135"		5226355	12014
1986	2.5L (K) 153"		5226355	12014
Neon				
1996-1995	2.0L (C) 122"		33004280	12118
1996-1995	2.0L (Y) 122"		33004280	12118
Reliant				
1983-1982	2.2L (B,C,D,E) 135"		4145716	12103
1983-1982	2.2L (B,C,D,E) 135"		4091719	12104
1984	2.2L (C,D) 135"		5213463	12110
1989-1987	2.2L (C,D,E) 135"		5226355	12014
1987-1984	2.2L (C,D,E,F,8) 135"	EGR Charge Temperature Sensor	4111482	12105
1989-1988	2.2L (D) 135"		33004280	12118
1993-1986	2.5L (K) 153"	w/o Turbo	4300251	12107
1989-1988	2.5L (K) 153"		33004280	12118
1989-1987	2.5L (K) 153"		5226355	12014
1987-1986	2.5L (K) 153"	EGR Charge Temperature Sensor	4111482	12105
Scamp				
1983-1982	1.7L (A,B) 104"		4091719	12104
1983-1982	2.2L (B,C,D,E) 135"		4145716	12103
1983-1982	2.2L (B,C,D,E) 135"		4091719	12104
Sundance				
1987-1986	2.2L (C,D,E,F,8) 135"		5226355	12014
1987-1984	2.2L (C,D,E,F,8) 135"	EGR Charge Temperature Sensor	4111482	12105
1993-1988	2.2L (D) 135"		33004280	12118
1991-1989	2.5L (J) 153"		33004280	12118
1993-1988	2.5L (K) 153"		33004280	12118
1993-1986	2.5L (K) 153"	w/o Turbo	4300251	12107

INTAKE AIR TEMPERATURE SENSORS

YEAR	ENGINE	FOOTNOTE	OE #	PART #
PLYMOUTH 4 CYL. Sundance (Cont'd)				
1988	2.5L (K) 153"		33004280	12118
Turismo				
1983-1982	1.7L (A,B) 104"		4091719	12104
1983-1982	2.2L (B,C,D,E) 135"		4145716	12103
1983-1982	2.2L (B,C,D,E) 135"		4091719	12104
1987-1984	2.2L (C,D,E,F,8) 135"	EGR Charge Temperature Sensor	4111482	12105
6 CYL. Prowler				
1997	3.5L (F) 215"		33004280	12118
8 CYL. Gran Fury				
1988-1982	5.2L (K,L,P,4) 318"	EGR Charge Temperature Sensor	4111482	12105
PLYMOUTH TRUCK				
4 CYL. Grand Voyager				
1997	2.4L (B) 148"		56027872	12133
1996	2.4L (X) 148"		33004280	12118
Voyager				
1987-1985	2.2L (C,D,E,F,8) 135"		5226355	12014
2000-1997	2.4L (B) 148"		56027872	12133
1996	2.4L (X) 148"		33004280	12118
1995-1993	2.5L (K) 153"		33004281	12014
1994-1990	2.5L (K) 153"		5227805	12111
1993-1987	2.5L (K) 153"	TBI	4300251, 5226504	12107
6 CYL. Grand Voyager				
1998-1997	3.0L (3) 181"		56027872	12133
1996-1994	3.0L (3) 181"		33004280	12118
1995-1993	3.0L (3) 181"		33004281	12014
1998	3.3L (G) 201"		56027872	12133
1998-1997	3.3L (R) 201"		56027872	12133
1996-1994	3.3L (R) 201"		33004280	12118
1995-1994	3.3L (R) 201"		33004280	12118
1995-1993	3.3L (R) 201"		33004281	12014
1995-1993	3.3L (R) 201"		33004281	12014
1994	3.3L (R) 201"		5227805	12111
1998	3.8L (L) 229"		56027872	12133
1996-1994	3.8L (L) 229"		33004280	12118
1995-1994	3.8L (L) 229"		33004281	12014
1995-1994	3.8L (L) 229"		33004280	12118
Voyager				
2000-1997	3.0L (3) 181"		56027872	12133
1996-1994	3.0L (3) 181"		33004280	12118
1995-1993	3.0L (3) 181"		33004281	12014
1991-1988	3.0L (3) 181"		5227805	12111
1998	3.3L (G) 201"		56027872	12133
1995	3.3L (J) 201"	CNG	33004280	12118
2000-1997	3.3L (R) 201"		56027872	12133
1996-1994	3.3L (R) 201"		33004280	12118
1995-1993	3.3L (R) 201"		33004281	12014
1994	3.3L (R) 201"		5227805	12111
1998	3.8L (L) 229"		56027872	12133
1996	3.8L (L) 229"		33004280	12118

INTAKE AIR TEMPERATURE SENSORS

YEAR	ENGINE	FOOTNOTE	OE #	PART #
PONTIAC				
4 CYL.				
6000				
1989-1986	2.5L (R) 151"		25036751	12101
Fiero				
1988-1986	2.5L (R) 151"		25036751	12101
Grand AM				
2004	2.2L (F) 134"		12160244	12130
1990-1989	2.3L (A) 140"		25036751	12101
1990-1988	2.3L (D) 140"		25036751	12101
1989-1988	2.3L (D) 140"		25037195	12115
2001-1996	2.4L (T) 146"		12160244, 25037352	12130
1988	2.5L (U) 151"		25036751	12101
Grand Prix				
1990	2.3L (D) 140"		25036751	12101
LeMans				
1991-1989	2.0L (K) 121"		25036751	12101
Sunbird				
1986-1985	1.8L (J) 111"		25036751	12101
1986	1.8L (O) 111"		25036751	12101
1994-1992	2.0L (H) 121"		25171651	12116
1991-1990	2.0L (K) 121"		25037309	12115
1989-1987	2.0L (K) 121"		25036751	12101
1991	2.0L (M) 121"		25036751	12101
1986	2.0L (P) 121"		25036751	12101
Sunfire				
2003-1995	2.2L (4) 134"		12160244, 25037352	12130
2004-2002	2.2L (F) 134"		12160244	12130
1995	2.3L (D) 140"		12160244	12130
2002-1995	2.4L (T) 146"		12160244	12130
6 CYL.				
6000				
1989-1985	2.8L (W) 173"		25036751	12101
1989	2.8L (W) 173"		25037195	12115
1986	2.8L (X) 173"		25036751	12101
1991-1988	3.1L (T) 189"		25037195	12115
Bonneville				
2003-1996	3.8L (1) 231"		25037352	12130
1995-1992	3.8L (1) 231"		25171651	12116
1988	3.8L (3) 231"		25036751	12101
1991-1988	3.8L (C) 231"		25036751	12101
2003-1995	3.8L (K) 231"		12160244, 25037352	12130
1994-1993	3.8L (L) 231"		25171651	12116
1992	3.8L (L) 231"		25037313, 25037357	12116
Fiero				
1988-1985	2.8L (9) 173"		25036751	12101
Firebird				
1989-1986	2.8L (S) 173"		25036751	12101
1995-1993	3.4L (S) 207"		12160244, 25037352	12130
1989	3.8L (7) 231"		25036751	12101
2002-1993	3.8L (K) 231"		12160244, 25037352	12130
Grand AM				
1987-1985	3.0L (L) 181"		25036751	12101
1998-1996	3.1L (M) 189"	w/OE #	25171651	12116
1998-1994	3.1L (M) 189"	w/OE #	12160244, 25037352	12130
2004-1999	3.4L (E) 207"		12160244, 25037352	12130

INTAKE AIR TEMPERATURE SENSORS

YEAR	ENGINE	FOOTNOTE	OE #	PART #
PONTIAC 6 CYL. (Cont'd)				
Grand Prix				
1989	2.8L (W) 173"		25037195	12115
1989	2.8L (W) 173"		25036751	12101
2003-2000	3.1L (J) 189"		12160244	12130
1992	3.1L (L) 189"		25037357	12116
1999-1994	3.1L (M) 189"		12160244, 25037352	12130
1993-1991	3.1L (T) 189"		25037357, 25171651	12116
1991-1988	3.1L (T) 189"		25037195	12115
1989	3.1L (V) 189"	Turbo	25036751	12101
1996-1992	3.4L (X) 207"	w/OE #	25037352, 25171651	12130
1995-1992	3.4L (X) 207"		25037357	12116
1991	3.4L (X) 207"		25037195	12115
2003-1997	3.8L (1) 231"		12160244, 25037352	12130
2003-1997	3.8L (K) 231"		12160244, 25037352	12130
Sunbird				
1994-1992	3.1L (T) 189"		25171651	12116
8 CYL.				
Firebird				
1992-1989	5.0L (E) 305"		25037313	12116
1988	5.0L (E) 305"		25036751	12101
1992-1985	5.0L (F) 305"		25036979	12001
1991-1987	5.7L (8) 350"		25036979	12001
2002-1998	5.7L (G) 350"		12160244, 25037352	12130
1997-1994	5.7L (P) 350"		12160244, 25037352	12130
GTO				
2004	5.7L 350"		12160244	12130
PONTIAC TRUCK				
6 CYL.				
Aztek				
2004-1999	3.4L (E) 207"		12160244	12130
Montana				
2004-1999	3.4L (E) 207"		12160244	12130
Trans Sport				
1998-1996	3.4L (E) 207"		12160244, 25037352	12130
1995-1993	3.4L (E) 207"		27171651	12116
1992	3.8L (L) 231"		25037313	12116
ROLLS ROYCE				
8 CYL.				
Silver Spirit				
1994-1993	6.8L 415"	4/93 On	0-280-130-039, 92860614300	12122
SATURN				
4 CYL.				
Coupe				
1998-1991	1.9L (7) 116"	DOHC	2102104	12128
1998-1995	1.9L (8) 116"	SOHC	2102104	12128
SC Series				
1998-1991	1.9L (7) 116"	DOHC	2102104	12128
1998-1995	1.9L (8) 116"	SOHC	2102104	12128
1994-1991	1.9L (9) 116"	TBI	2102104	12128
Sedan				
1998-1991	1.9L (7) 116"	DOHC	2102104	12128
1998-1995	1.9L (8) 116"	SOHC	2102104	12128
SL Series				
1998-1991	1.9L (7) 116"	DOHC	2102104	12128
1998-1995	1.9L (8) 116"	SOHC	2102104	12128
1994-1991	1.9L (9) 116"	TBI	2102104	12128

INTAKE AIR TEMPERATURE SENSORS

YEAR	ENGINE	FOOTNOTE	OE #	PART #
SATURN 4 CYL. (Cont'd)				
SW Series				
1998-1991	1.9L (7) 116"	DOHC	2102104	12128
1998-1995	1.9L (8) 116"	SOHC	2102104	12128
1994-1991	1.9L (9) 116"	TBI	2102104	12128
VOLKSWAGEN				
4 CYL.				
Jetta				
1989-1985	1.8L (JN,JH,RV ,PF,PL,PG) 110"	Ind.	171-919-379A	12121
6 CYL.				
Corrado				
1994-1992	2.8L (D,E,F) 173"		0-280-130-039, 92860614300	12122
Golf				
1994-1993	2.0L (L,R) 121"		0-280-130-039	12122
Jetta				
1994-1993	2.0L (L,R) 121"		0-280-130-039	12122
Passat				
1995	2.8L (D,E,F) 173"		0-280-130-039	12122
1993-1992	2.8L (D,E,F) 173"		0-280-130-039, 92860614300	12122
YUGO				
4 CYL.				
GVC				
1992-1990	1.3L (6) 79"		0-280-130-039	12122
GVX				
1992-1990	1.3L (6) 79"		0-280-130-039	12122

INTAKE AIR TEMPERATURE SENSORS

OEM INTERCHANGES

OEM#	PART#	OEM#	PART#	OEM#	PART#	OEM#	PART#
ACURA		E4AF-12A697A	12100	GM		JEEP	
8-12160-244-0	12130	E4AF-12A697AA	12100	8993395	12108	33002382	120
		E4AF-12A697BA	12100				
BOSCH		E4DF-12A697AA	12100	12110319	12130	33004280	12118
0-280-130-039	12122	E7AF-12A697AA	12117	12110320	12116	56027872	12133
		E7AF-12A697AA	12100	12146312	12001	MAZDA	
0-280-130-046	12107	E7AZ-12A697A	12100	12160244	12130		
0-280-130-057	12107	EOAE-12A697AA	12100	12160246	12131	FS01-18-845	12119
CHRYSLER		F1AF-12A697AA	12117	12353091	12102	FS15-18-845A	12117
4091719	12104	F1AF-12A697BA	12100	25034352	12130	FSB9-18-845	12129
		F2AZ-12A648A	12011	25036094	12102	ZZL1-18-845	12100
4111482	12105	F2DE-12A697AA	12100	25036708	12001	ZZM0-18-845	12117
4145716	12103	F2DE-12A697BA	12100	25036751	12101	ZZM3-18-845	12124
4267281	12110	F2DF-12A697AA	12100	25036979	12001	ZZM1-18-845	12100
4300251	12107	F2DF-12A697BA	12100	25037034	12101	ZZM2-18-845	12126
5213463	12110	F2DZ-12A697A	12100	25037195	12115	MERKUR	
5226355	12014	F32F-12A697AA	12117	25037223	12115		
5226504	12107	F32Z-12A697A	12119	25037225	12101	E4AF-12A697AA	12100
5227805	12111	F32Z-12A697C	12117	25037229	12116	NISSAN	
5269758	12118	F3DF-12A697AA	12125	25037309	12115		
33002382	12120	F3VF-12A647AA	12063	25037313	12116	22630-1B000	12123
33004280	12118	F42Z-12A697A	12117	25037334	12101	PORSCHE	
33004281	12014	F4AF-12A697AA	12100	25037352	12130		
56027872	12133	F4TF-12A697A	12125	25037357	12116	92860614300	12122
EAGLE		F4TF-12A697AA	12125	25171651	12116	SATURN	
33002382	12120	F57F-12A697A	12126	96065716	12032		
		F57F-12A697AA	12126	HONDA		21020104	12128
5227805	12111	F57F-12A697AB	12126			VOLKSWAGEN	
56027872	12133	F57Z-12A697A	12126	8-12160-244-0	12130		
FORD		F5AF-12A647A	12127	8-25037-334-0	12101	92860614300	12122
EOAE-12A697AA	12100	F5AF-12A697AA	12127	ISUZU		0-280-130-039	12122
		F5AZ-12A697A	12127			171-919-379A	12121
EOAZ-12A697A	12100	F62Z-12A697AA	12129	25037334	12101	YUGO	
E1AF-12A697AA	12100	F6SF-12A697AA	12124	0-25037-324-1	12101		
E1AF-12A697BA	12100	F6SZ-12A697A	12124	0-25037-334-0	12101	46641551	12122
E1AZ-12A697A	12100	F6XF-12A697AA	12123	8-12110-319-0	12130	0-280-130-039	12122
E2DZ-12A697A	12100	F6XZ-12A697AA	12123	8-12160-244-0	12130		

INTAKE AIR TEMPERATURE SENSORS

NUMERICAL LIST

PART#	APPLICATION & YEAR	FIG. #
12001	BUICK 91-95, CHEV 85-95, OLDS 91-95, PONT 85-91	7
12011	FORD, MERCURY 96-04	29
12014	CHRY 85-88, CHRY TRK 88, DODGE, PLY 85-89, DODGE TRK, PLY TRK 87-85	7
12032	GEO 92-96	10
12063	FORD, MERCURY 92-96, LINCOLN 96	25
12100	FORD 80-96, MAZDA TRK 91-94, MERC 80-95, F TRK 83-97, LINC 80-94, MERKUR 88-89	1
12101	BUICK 85-92, CAD, CHEV 85-95, CHEV TRK 87-02, GEO 90-93, GMC TRK 87-02, HONDA TRK 94-95, ISUZU 90-93, ISUZU TRK 91-97, OLDS 86-93, OLDS TRK 91-93, PONT 85-91	2
12102	BUICK 84, CAD 81-85	3
12103	CHRY, DODGE, PLY 82-83, CHRY TRK 82-83, D TRK 82-88	5
12104	CHRY, CHRY TRK, DODGE, D TRK, PLY 82-83	5
12105	CHRY, DODGE, PLY 82-88, CHRY TRK 85-87, D TRK 86-91	6
12106	WHEN OUT USE 12014	
12107	CHRY, DODGE, PLY 86-93, C TRK, PLY TRK 87-93, D TRK 86-94	9
12108	CAD 80	3
12109	Superceded by 12101	
12110	CHRY, DODGE 83-84, PLY 84	8
12111	CHRY, EAGLE 88-97, CHRY TRK 91-93, DODGE 88-97, 02, DODGE TRK 90-94, PLY TRK 88-94	4
12115	BUICK 87-93, CAD 88, CHEV 88-93, OLDS 87-95, PONT 88-91	12
12116	BUICK 91-95, CHEV 89-95, CAD 90-99, C TRK 92-95, OLDS 90-95, OLDS TRK 92, PONT 89-98, P TRK 92-95	13
12117	FORD, LINC, MERC, 91-95, MAZDA 94-95, MAZDA TRK 94	14
12118	CHRY 95-97, CHRY TRK 88-96, DODGE 90-96, D TRK 92-96, 02, JEEP 86-97, PLY 88-97, PLY TRK 94-96	11
12119	FORD 93-95, MAZDA 93-97	15
12120	DODGE 90-92, EAGLE 88-92, JEEP 84-90	16
12121	VW 85-89	17
12122	BENTLEY, ROLLS ROYCE 93-94, BMW 91-93, VW 92-95, YUGO 90-92	18
12123	MERC TRK 96-02, NISSAN 98-99, NISSAN TRK 98-99	20
12124	FORD, MERC 96-97, FORD TRK 96-03, LINCOLN 96, MAZDA TRK 99, MERC TRK 98	19
12125	FORD 93-95, F TRK 94-95, MERC 95	21
12126	FORD 96-03, F TRK 95-03, LINC, MAZDA TRK 95-03, LINC TRK 98-03, MERC 96-02, MERC TRK 97-00	20
12127	FORD 94-02, F TRK 95-04, LINC 95-03, MAZDA TRK 01, MERC 95-02	22
12128	SATURN 91-98	24
12129	FORD 96-97, MAZDA 96-02,	19
12130	ACURA TRK, PONT TRK 96-99, BUICK 93-04, BUICK TRK 02-04, HONDA TRK 96-01, ISUZU TRK, 91-03, OLDS, OLDS TRK, PONT 93-04, CAD 95-99, CAD TRK 99-00, CHEV, GMC TRK 92-04, C TRK 90-04	23
12131*	OLDS 98-02	26
12132*	OLDS 95-97	27
12133*	CHRY 01-97, CHRY TRK 98-97, DODGE, DODGE TRK, JEEP 02-97, PLY 99-97, PLY TRK 00-97	28



FIG. 1



FIG. 2



FIG. 3



FIG. 4



FIG. 5



FIG. 6



FIG. 7



FIG. 8



FIG. 9



FIG. 10



FIG. 11



FIG. 12

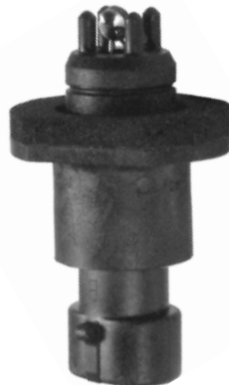


FIG. 13



FIG. 14



FIG. 15

INTAKE AIR TEMPERATURE SENSORS

ILLUSTRATED PARTS GUIDE



FIG. 16

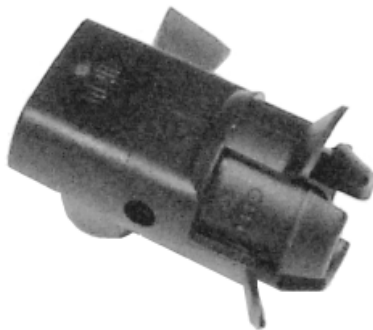


FIG. 17



FIG. 18



FIG. 19



FIG. 20



FIG. 21



FIG. 22



FIG. 23



FIG. 24



FIG. 25



FIG. 26



FIG. 27



FIG. 28