

FUEL INJECTOR-TBI

WHAT THEY DO

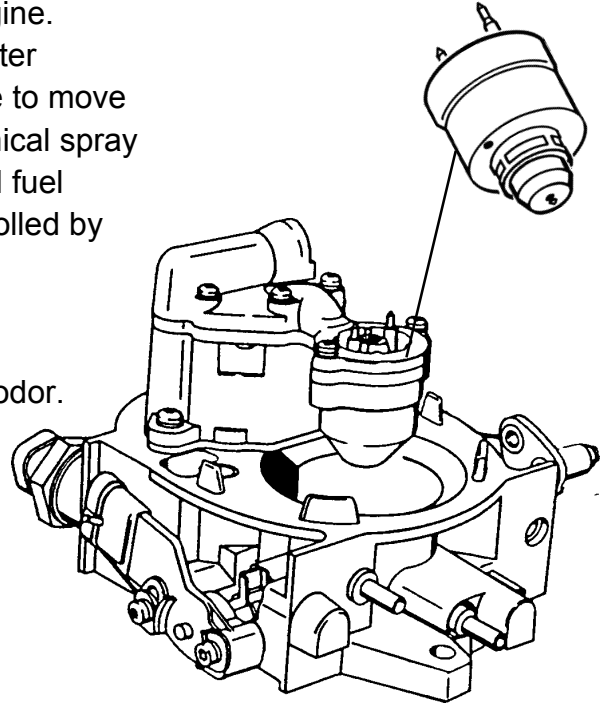
Meter and atomize fuel delivered to engine. Electrical control signal from the computer activates the solenoid causing the valve to move off its seat, allowing fuel to flow in a conical spray pattern. Injector flow orifice is fixed and fuel pressure is constant. Fuel flow is controlled by how long the solenoid is energized.

FAILURE SYMPTOMS

No start, flooding, hesitations, exhaust odor.

MAINTENANCE/SERVICE

Inspect every 25,000 miles for proper spray pattern and evidence of leakage.



YEAR	ENGINE	TYPE	FOOTNOTE	OE #	CONNECTOR PART #
BUICK					
4 CYL					
Century					
1986-1982	2.5L (R) 151"	TBI 300		17068993	24000 15001
1992-1987	2.5L (R) 151"	TBI 700		17112123, 17111986	24004 15010
Skyhawk					
1986-1982	1.8L (O) 112"	TBI 300		17078273, 17111549	24000 15000
1989-1987	2.0L (1) 121"	TBI 700		17111986	24004 15010
1988-1987	2.0L (K) 121"	TBI 700		17111991	24004 15009
1986-1983	2.0L (P) 121"	TBI 500		17079694	24000 15001
Skylark					
1985-1982	2.5L (R) 151"			17068993	24000 15001
1986-1985	2.5L (U) 151"	TBI 300		17068993	24000 15001
1991-1987	2.5L (U) 151"	TBI 700		17111986, 17112123	24004 15010
Somerset					
1986-1985	2.5L (U) 151"	TBI 300		17068993	24000 15001
1987	2.5L (U) 151"			17111986	24004 15010
8 CYL					
Roadmaster					
1991	5.0L (E) 305"	TBI 220		17112400	24000 15001
Roadmaster Wagon					
1993-1992	5.7L (7) 350"	TBI 220		17112493, 17112584	24000 15004

FUEL INJECTOR - TBI

YEAR	ENGINE	TYPE	FOOTNOTE	OE #	CONNECTOR	PART #
CADILLAC						
4 CYL						
Cimarron						
1986-1982	2.0L (P) 121"	TBI 500		17079694	24000	15001
8 CYL						
Brougham						
1992-1991	5.0L (E) 305"	TBI 220		17112400	24000	15001
1990	5.7L (7) 350"			17111771	24000	15001
1993-1991	5.7L (7) 350"	TBI 220		17112493	24000	15004
DeVille						
1987-1982	4.1L (8) 252"	TBI 200		17078258, 17111276, 17111277	24000	15003
1989-1988	4.5L (5) 273"	TBI 220		17111466, 17112521	24000	15000
1983-1981	6.0L (9) 368"			17079012	24000	15004
Eldorado						
1987-1983	4.1L (8) 250"			17111276, 17111277	24000	15003
1989-1988	4.5L (5) 273"	TBI 220		17111466, 17112521	24000	15000
1981-1980	6.0L (9) 368"	TBI 100		17079012	24000	15004
Fleetwood						
1987-1982	4.1L (8) 252"	TBI 200		17078258, 17111276, 17111277	24000	15003
1989-1988	4.5L (5) 273"	TBI 220		17111466, 17112521	24000	15000
Hearse						
1989-1988	4.5L (5) 273"	TBI 220		17111466, 17112521	24000	15000
1983-1981	6.0L (9) 368"			17079012	24000	15004
Limo						
1989-1988	4.5L (5) 273"	TBI 220		17111466, 17112521	24000	15000
1983-1981	6.0L (9) 368"			17079012	24000	15004
Seville						
1987-1982	4.1L (8) 252"	TBI 200		17078258, 17111276, 17111277	24000	15003
1989-1988	4.5L (5) 273"	TBI 220		17111466, 17112521	24000	15000
1981-1980	6.0L (9) 368"	TBI 100		17079012	24000	15004
CHEVROLET						
3 CYL						
Metro						
1999-1998	1.0L (6) 61"			96093614	—	15026
4 CYL						
Beretta						
1989-1987	2.0L (1) 121"	TBI 700		17111986	24004	15010
1991-1990	2.2L (G) 134"	TBI 700		17111986	24004	15010
Camaro						
1985-1982	2.5L (2) 151"	TBI 300		17068993	24000	15001
Cavalier						
1989-1987	2.0L (1) 121"	TBI 700		17111986	24004	15010
1986-1983	2.0L (P) 121"	TBI 500		17068993	24000	15001
1991-1990	2.2L (G) 134"	TBI 700		17111986	24004	15010
Celebrity						
1986-1982	2.5L (R) 151"	TBI 300		17068993	24000	15001
1990-1987	2.5L (R) 151"	TBI 700		17111986, 17112123	24004	15010
Citation						
1985-1982	2.5L (R) 151"			17068993	24000	15001
Corsica						
1989-1987	2.0L (1) 121"	TBI 700		17111986	24004	15010
1991-1990	2.2L (G) 134"	TBI 700		17111986	24004	15010
6 CYL						
Caprice						
1993-1992	4.3L (Z) 262"	TBI 220		17111468	24000	15000
1990-1985	4.3L (Z) 262"	TBI 220		17111468	24000	15000

FUEL INJECTOR - TBI

YEAR	ENGINE	TYPE	FOOTNOTE	OE #	CONNECTOR	PART #
CHEVROLET 6 CYL. (Cont'd)						
Monte Carlo						
1988-1985	4.3L (Z) 262"			17111159, 17111468	24000	15000
8 CYL						
Camaro						
1983-1982	5.0L (7) 305"	TBI 400	w/CFFI,Front & Rear	17111545	24000	15001
1992-1988	5.0L (E) 305"			17112400	24000	15001
1983-1982	5.0L (S) 305"	TBI 400	w/CFFI,Front & Rear	17111545	24000	15001
Caprice						
1993-1989	5.0L (E) 305"	TBI 220		17111771	24000	15001
1989	5.7L (7) 350"			17111771	24000	15001
1993-1992	5.7L (7) 350"	TBI 220	Exc.Police Car	17112493	24000	15004
CHEVROLET TRUCK						
4 CYL						
Astro						
1986-1985	2.5L (E) 151"			17068993	24000	15001
1990-1987	2.5L (E) 151"			17111986	24004	15010
Blazer						
1991-1987	2.5L (E) 151"	TBI 700		17111986	24004	15010
Jimmy						
1991-1987	2.5L (E) 151"	TBI 700		17111986	24004	15010
L Series						
1986-1985	2.5L (E) 151"	TBI 300		17068993	24000	15001
M Series						
1986-1985	2.5L (E) 151"	TBI 300		17068993	24000	15001
Post Office Vehicle						
1993-1991	2.5L (A) 151"	TBI 700		17112123	24004	15010
1991-1987	2.5L (E) 151"	TBI 700		17111986	24004	15010
S10						
1993-1991	2.5L (A) 151"	TBI 700		17112123	24004	15010
1986-1985	2.5L (E) 151"	TBI 300		17068993	24000	15001
1991-1987	2.5L (E) 151"	TBI 700		17111986	24004	15010
6 CYL						
Astro						
1991-1990	4.3L (B) 262"			17112400	24000	15001
1994-1986	4.3L (Z) 262"			17112521	24000	15000
C Series						
1995-1992	4.3L (Z) 262"			17112521	24001	15000
G Series						
1996-1987	4.3L (Z) 262"			17111468, 17112521	24001	15000
K Series						
1995-1992	4.3L (Z) 262"			17112521	24001	15000
L Series						
1991-1990	4.3L (B) 262"			17112400	24000	15001
1994-1986	4.3L (Z) 262"			17111468, 17112521	24001	15000
Lumina APV						
1995-1990	3.1L (D) 189"	TBI 220		17112503	24000	15012
M Series						
1991-1990	4.3L (B) 262"			17112400	24000	15001
1994-1986	4.3L (Z) 262"			17111468, 17112521	24001	15000
P3						
1995-1991	4.3L (Z) 262"			17112521	24001	15000
R Series						
1991-1987	4.3L (Z) 262"			17112521	24001	15000
S Series						
1993-1986	2.8L (R) 173"	TBI 220		17111456, 17112503	24000	15012
1994-1988	4.3L (Z) 262"			17111468, 17112521	24001	15000

FUEL INJECTOR - TBI

YEAR	ENGINE	TYPE	FOOTNOTE	OE #	CONNECTOR	PART #
CHEVROLET TRUCK 6 CYL. (Cont'd)						
T Series						
1993-1986	2.8L (R) 173"	TBI 220		17111456, 17112503	24000	15012
1994-1988	4.3L (Z) 262"			17111468, 17112521	24001	15000
V Series						
1991-1987	4.3L (Z) 262"			17112521	24001	15000
8 CYL						
C Series						
1995-1992	5.0L (H) 302"			17112400	24000	15001
1995-1992	5.7L (K) 350"			17112493	24000	15004
1993-1992	7.4L (N) 454"			17112560	24000	15017
1995-1994	7.4L (N) 454"	TBI 220		17113080	24000	15021
G Series						
1995-1987	5.7L (K) 350"	TBI 220		17112493, 17111774	24000	15004
G1						
1995-1987	5.0L (H) 305"	TBI 220		17112400, 17111771	24000	15001
G2						
1995-1987	5.0L (H) 305"	TBI 220		17112400, 17111771	24000	15001
G3						
1995	5.7L (K) 350"		Nat.Gas Conversion	17112493	24000	15004
1996-1992	5.7L (K) 350"		MT,Exc.Spd.Govn.	17112493	24000	15004
1996-1992	5.7L (K) 350"		AT,w/Spd.Govn.	17112742	24004	15022
1993-1988	7.4L (N) 454"			17112560	24000	15017
1996-1994	7.4L (N) 454"			17113080	24000	15021
K Series						
1995-1992	5.0L (H) 302"			17112400	24000	15001
1995-1992	5.7L (K) 350"			17112493	24000	15004
1993-1992	7.4L (N) 454"			17112560	24000	15017
1995-1994	7.4L (N) 454"	TBI 220		17113080	24000	15021
P Series						
1996-1987	5.7L (K) 350"			17112493, 17111774	24000	15004
P3						
1993-1990	7.4L (N) 454"	TBI 220		17112560, 17112249	24000	15017
1997-1994	7.4L (N) 454"			17113080	24000	15021
R Series						
1991-1987	5.0L (H) 302"			17112400	24000	15001
1991-1987	5.7L (K) 350"			17112493	24000	15004
1991-1987	7.4L (N) 454"			17112560, 17111784	24000	15017
V Series						
1991-1987	5.0L (H) 302"			17112400	24000	15001
1991-1987	5.7L (K) 350"			17112493	24000	15004
1991-1987	7.4L (N) 454"			17112560, 17111784	24000	15017
CHRYSLER						
4 CYL						
Daytona						
1989-1988	2.5L (K) 153"			4418538	24002	15005
1987	2.5L (K) 153"			4300257	24002	15011
1990	2.5L (K) 153"			4418924	—	15030
1993-1991	2.5L (K) 153"			4418911, 4554101	—	15031
Dynasty						
1989-1988	2.5L (K) 153"			4418538	24002	15005
1990	2.5L (K) 153"			4418924	—	15030
1993-1991	2.5L (K) 153"			4418911, 4554101	—	15031
E Class						
1984	2.2L (D) 135"			4275985	24001	15027

FUEL INJECTOR - TBI

YEAR	ENGINE	TYPE	FOOTNOTE	OE #	CONNECTOR	PART #
CHRYSLER 4 CYL. (Cont'd)						
Laser						
1986	2.2L (D)	135"		4300257	24002	15011
1985-1984	2.2L (D)	135"		4275985	24001	15027
1986	2.5L (K)	153"		4300257	24002	15011
LeBaron						
1989-1988	2.2L (D)	135"		4418538	24002	15005
1987-1986	2.2L (D)	135"		4300257	24002	15011
1985-1984	2.2L (D)	135"		4275985	24001	15027
1989-1988	2.5L (K)	153"		4418538	24002	15005
1986	2.5L (K)	153"		4300257	24002	15011
1987	2.5L (K)	153"		4300257	24002	15011
1990	2.5L (K)	153"		4418924	—	15030
1993-1991	2.5L (K)	153"		4418911, 4554101	—	15031
New Yorker						
1985-1984	2.2L (D)	135"		4275985	24001	15027
1986	2.5L (K)	153"		4300257	24002	15011
1987	2.5L (K)	153"		4300257	24002	15011
Town & Country						
1985-1984	2.2L (D)	135"		4275985	24001	15027
8 CYL						
Imperial						
1983	5.2L (N)	318"		4275985	24001	15027
DODGE						
600 4 CYL						
1988	2.2L (D)	135"		4418538	24002	15005
1987-1986	2.2L (D)	135"		4300257	24002	15011
1985-1983	2.2L (D)	135"		4275985	24001	15027
1988	2.5L (K)	153"		4418538	24002	15005
1987-1986	2.5L (K)	153"		4300257	24002	15011
Aries						
1989-1988	2.2L (D)	135"		4418538	24002	15005
1987-1986	2.2L (D)	135"		4300257	24002	15011
1985	2.2L (D)	135"		4275985	24001	15027
1989-1988	2.5L (K)	153"		4418538	24002	15005
1987-1986	2.5L (K)	153"		4300257	24002	15011
Daytona						
1986	2.2L (D)	135"		4300257	24002	15011
1985-1983	2.2L (D)	135"		4275985	24001	15027
1990	2.5L (K)	150"		4418864, 4418924	—	15030
1989-1988	2.5L (K)	153"		4418538	24002	15005
1987-1986	2.5L (K)	153"		4300257	24002	15011
1993-1991	2.5L (K)	153"		4418911, 4554101	—	15031
Dynasty						
1990	2.5L (K)	150"		4418864, 4418924	—	15030
1989-1988	2.5L (K)	153"		4418538	24002	15005
1993-1991	2.5L (K)	153"		4418911, 4554101	—	15031
Lancer						
1989-1988	2.2L (D)	135"		4418538	24002	15005
1987-1986	2.2L (D)	135"		4300257	24002	15011
1985	2.2L (D)	135"		4275985	24001	15027
1989-1988	2.5L (K)	153"		4418538	24002	15005
1987-1986	2.5L (K)	153"		4300257	24002	15011
Monaco						
1990	2.5L (K)	150"		4275985, 83505188	24000	15018

FUEL INJECTOR - TBI

YEAR	ENGINE	TYPE	FOOTNOTE	OE #	CONNECTOR	PART #
DODGE 4 CYL. (Cont'd)						
Omni						
1989-1988	2.2L (D) 135"			4418538	24002	15005
1990	2.2L (D) 153"		Exc.Turbo	4418864, 4418924	—	15030
Shadow						
1989-1988	2.2L (D) 135"			4418538	24002	15005
1987	2.2L (D) 135"			4300257	24002	15011
1994-1991	2.2L (D) 135"			4418911, 4554101	—	15031
1990	2.2L (D) 153"		Exc.Turbo	4418864, 4418924	—	15030
1990	2.5L (K) 150"			4418864, 4418924	—	15030
1989-1988	2.5L (K) 153"			4418538	24002	15005
1994-1991	2.5L (K) 153"			4418911, 4554101	—	15031
Spirit						
1990	2.5L (K) 150"			4418864, 4418924	—	15030
1989	2.5L (K) 153"			4418538, 4418673	24002	15005
1995-1991	2.5L (K) 153"			4418911, 4554101	—	15031
DODGE TRUCK						
4 CYL						
Caravan						
1989-1987	2.5L (K) 153"			4418118, 4418538, 4418673	24002	15005
1990	2.5L (K) 153"			4418864, 4418924	—	15030
1995-1991	2.5L (K) 153"			4418911, 4554101	—	15031
Dakota						
1989	2.5L (K) 153"			4418538	24002	15005
1996-1990	2.5L (K) 153"			4418864, 4418924	—	15030
6 CYL						
B Series						
1990-1988	3.9L (X) 239"			4418601, 4467038	24006	15020
1991	3.9L (X) 239"			53008487	24006	15020
D Series						
1990-1988	3.9L (X) 239"			4418601, 4467038	24006	15020
1991	3.9L (X) 239"			53008487	24006	15020
Dakota						
1990-1988	3.9L (X) 239"			4418601, 4467038	24006	15020
1991	3.9L (X) 239"			53008487	24006	15020
T Series						
1989	3.9L (X) 239"			4467038	24006	15020
W Series						
1990-1988	3.9L (X) 239"			4418601, 4467038	24006	15020
1991	3.9L (X) 239"			53008487	24006	15020
8 CYL						
B Series						
1991-1988	5.2L (Y) 318"			4418602, 4418614	24006	15005
1991-1989	5.9L (Z) 360"			4418505, 4418604	—	15023
D Series						
1991-1988	5.2L (Y) 318"			4418602, 4418614	24006	15005
1991-1989	5.9L (Z) 360"			4418505, 4418604	—	15023
Dakota						
1991-1988	5.2L (Y) 318"			4418602, 4418614	24006	15005
1991-1989	5.9L (Z) 360"			4418505, 4418604	—	15023
T Series						
1989	5.2L (Y) 318"			4418602	24002	15005
1989	5.9L (Z) 360"			4418604	—	15023

FUEL INJECTOR - TBI

YEAR	ENGINE	TYPE	FOOTNOTE	OE #	CONNECTOR	PART #
DODGE TRUCK 8 CYL. (Cont'd)						
W Series						
1991-1988	5.2L (Y) 318"			4418602, 4418614	24006	15005
1991-1989	5.9L (Z) 360"			4418505, 4418604	—	15023
EAGLE						
4 CYL						
Premier						
1989-1988	2.5L (H) 150"			83505188	24000	15018
1989-1988	2.5L (Z) 150"			83505188	24000	15018
FORD						
4 CYL						
Escort						
1990-1987	1.9L (9) 116"			E7EE-9F593CA	—	15007
Taurus						
1988-1986	2.5L (D) 153"			E53E-9F593AB	—	15006
1990-1989	2.5L (D) 153"			E9DE-9F593AA	24000	15034
Tempo						
1987	2.3L (S) 140"		HO	F73E-9F593DA	—	15006
1987-1985	2.3L (S) 140"			E43E-9F593A	—	15008
1987-1985	2.3L (X) 140"			E43E-9F593A	—	15008
6 CYL						
LTD						
1987-1984	3.8L (3) 232"			E3VE-9F593AA	24001	15014
Mustang						
1987-1984	3.8L (3) 232"			E3VE-9F593AA	24001	15014
Thunderbird						
1987-1984	3.8L (3) 232"			E3VE-9F593AA	24001	15014
8 CYL						
Full Size						
1985-1981	5.0L (F) 302"		Incl.Cal.	E0SE-9F593A1A	24001	15015
LTD						
1985	5.0L (F) 302"			E4ZE-9F593CA	24001	15016
Mustang						
1985-1984	5.0L (F) 302"			E4ZE-9F593CA	24001	15016
Thunderbird						
1985-1981	5.0L (F) 302"		Incl.Cal.	E0SE-9F593A1A	24001	15015
GEO						
3 CYL						
Metro						
1993-1989	1.0L (6) 61"			96060117	—	15025
1997-1989	1.0L (6) 61"			96063614	—	15026
4 CYL						
Metro						
1993-1992	1.3L (9) 79"			96060117	—	15025
1997-1992	1.3L (9) 79"			96093614	—	15026
GMC TRUCK						
4 CYL						
M15						
1991-1987	2.5L (E) 151"	TBI 700		17111986	24004	15010
S10						
1986-1985	2.5L (E) 151"	TBI 700		17068993	24000	15001
S10 Jimmy						
1986-1985	2.5L (E) 151"	TBI 700		17068993	24000	15001
S15						
1993-1991	2.5L (A) 151"	TBI 700		17112123	24004	15010
S15 Jimmy						
1991-1987	2.5L (E) 151"	TBI 700		17111986	24004	15010

FUEL INJECTOR - TBI

YEAR	ENGINE	TYPE	FOOTNOTE	OE #	CONNECTOR	PART #
GMC TRUCK 4 CYL. (Cont'd)						
Safari						
1986-1985	2.5L (E) 151"			17068993	24000	15001
1986-1985	2.5L (E) 151"	TBI 700		17068993	24000	15001
1990-1987	2.5L (E) 151"			17111986	24004	15010
1991-1987	2.5L (E) 151"	TBI 700		17111986	24004	15010
6 CYL						
C Series						
1995-1992	4.3L (Z) 262"			17112521	24000	15000
G Series						
1996-1987	4.3L (Z) 262"			17111468, 17111928, 17111929, 17112521	24000	15000
K Series						
1995-1992	4.3L (Z) 262"			17112521	24000	15000
L Series						
1991-1990	4.3L (B) 262"			17112400	24000	15001
1994-1986	4.3L (Z) 262"			17112521	24000	15000
M Series						
1991-1990	4.3L (B) 262"			17112400	24000	15001
1994-1986	4.3L (Z) 262"			17112521	24000	15000
P3						
1995-1991	4.3L (Z) 262"			17112521	24000	15000
R Series						
1991-1987	4.3L (Z) 262"			17112521	24000	15000
S Series						
1994-1988	4.3L (Z) 262"			17112521	24000	15000
S Truck						
1993-1986	2.8L (R) 173"	TBI 220		17111456, 17112503	24000	15012
Safari						
1991-1990	4.3L (B) 262"			17112400	24000	15001
1994-1986	4.3L (Z) 262"			17112521	24000	15000
T Series						
1994-1988	4.3L (Z) 262"			17112521	24000	15000
T Truck						
1993-1986	2.8L (R) 173"	TBI 220		17111456, 17112503	24000	15012
V Series						
1991-1987	4.3L (Z) 262"			17112521	24000	15000
8 CYL						
C Series						
1995-1992	5.0L (H) 302"			17112400	24000	15001
1995-1992	5.7L (K) 350"			17112493	24000	15004
1993-1992	7.4L (N) 454"			17112560	24000	15017
1995-1994	7.4L (N) 454"	TBI 220		17113080	24000	15021
G Series						
1995-1987	5.7L (K) 350"	TBI 220		17112493, 17111774	24000	15004
G1						
1995-1987	5.0L (H) 305"	TBI 220		17112400, 17111771	24000	15001
G2						
1995-1987	5.0L (H) 305"	TBI 220		17112400, 17111771	24000	15001
G3						
1995	5.7L (K) 350"		Nat.Gas Conversion	17112493	24000	15004
1996-1992	5.7L (K) 350"		MT,Exc.Spd.Govn.	17112493	24000	15004
1996-1992	5.7L (K) 350"		AT,w/Spd.Govn.	17112742	24000	15022
1993-1988	7.4L (N) 454"			17111784, 17112249	24000	15017
1996-1994	7.4L (N) 454"			17113080	24000	15021

FUEL INJECTOR - TBI

YEAR	ENGINE	TYPE	FOOTNOTE	OE #	CONNECTOR	PART #
GMC TRUCK 8 CYL. (Cont'd)						
K Series						
1995-1992	5.0L (H) 302"			17112400	24000	15001
1995-1992	5.7L (K) 350"			17112493	24000	15004
1993-1992	7.4L (N) 454"			17112560	24000	15017
1995-1994	7.4L (N) 454"	TBI 220		17113080	24000	15021
P Series						
1996-1987	5.7L (K) 350"			17112493, 17111771	24000	15004
P3						
1993-1987	7.4L (N) 454"	TBI 220		17112560, 17112249	24000	15017
1997-1994	7.4L (N) 454"			17113080	24000	15021
R Series						
1991-1987	5.0L (H) 302"			17112400	24000	15001
1991-1987	5.7L (K) 350"			17112493	24000	15004
1991-1987	7.4L (N) 454"			17112560, 17111784	24000	15017
V Series						
1991-1987	5.0L (H) 302"			17112400	24000	15001
1991-1987	5.7L (K) 350"			17112493	24000	15004
1991-1987	7.4L (N) 454"			17112560, 17111784	24000	15017
ISUZU						
6 CYL						
Pickup						
1994-1991	3.1L (Z) 189"			8-17112-503-0	24000	15012
Rodeo						
1992-1991	3.1L (Z) 189"			8-17112-506-0	24000	15012
Trooper II						
1991-1989	2.8L (R) 173"			8-17112-506-0	24000	15012
8 CYL						
NPR						
1995-1993	5.7L (A) 350"			8-17112-493-0	24000	15004
JEEP						
4 CYL						
Cherokee						
1987-1986	2.5L (H) 150"			83502748	24000	15018
Cherokee Wrangler						
1990-1987	2.5L (E) 150"			83502748, 83504851	24000	15018
Comanche						
1990-1987	2.5L (E) 150"			83502748, 83504851	24000	15018
1987-1986	2.5L (H) 150"			83502748	24000	15018
Wagoneer						
1990-1987	2.5L (E) 150"			83502748, 83504851	24000	15018
1987-1986	2.5L (H) 150"			83502748	24000	15018
YJ						
1990-1987	2.5L (E) 150"			83502748, 83504851	24000	15018
LINCOLN						
8 CYL						
Continental						
1985-1980	5.0L (F) 302"			E0SE-9F593A1A	24001	15015
Mark LSC						
1985-1984	5.0L (F) 302"			E4ZE-9F593CA	24001	15016
Mark Series						
1985-1980	5.0L (F) 302"			E0SE-9F593A1A	24001	15015
Town Car						
1985-1980	5.0L (F) 302"			E0SE-9F593A1A	24001	15015
MERCURY						
4 CYL						
Lynx						
1987	1.9L (9) 116"			E7EE-9F593CA	—	15007

FUEL INJECTOR - TBI

YEAR	ENGINE	TYPE	FOOTNOTE	OE #	CONNECTOR	PART #
MERCURY 4 CYL. (Cont'd)						
Sable						
1986	2.5L (D) 153"			E53Z-9F593B	—	15006
Topaz						
1987	2.3L (A) 140"			E53Z-9F593B	—	15006
1987-1985	2.3L (A) 140"			E53Z-9F593A	—	15008
1994-1990	2.3L (X) 140"			E7EE-9F593CA	—	15007
Tracer						
1995-1990	1.9L (J) 116"			E7EE-9F593CA	—	15007
6 CYL						
Capri						
1987-1984	3.8L (3) 232"			E3VY-9F593A	24001	15014
Cougar						
1987-1984	3.8L (3) 232"		XR7	E3VY-9F593A	24001	15014
Marquis						
1987-1984	3.8L (3) 232"			E3VY-9F593A	24001	15014
8 CYL						
Capri						
1985-1980	5.0L (F) 302"			E0SY-9F593A	24001	15015
1985-1984	5.0L (F) 302"			E0SY-9F593A	24001	15015
1985-1984	5.0L (F) 302"			E4ZZ-9F593C	24001	15016
Colony Park						
1985-1980	5.0L (F) 302"			E0SY-9F593A	24001	15015
Cougar						
1985-1984	5.0L (F) 302"			E0SY-9F593A	24001	15015
1985-1980	5.0L (F) 302"		XR7	E0SY-9F593A	24001	15015
1985-1984	5.0L (F) 302"			E4ZZ-9F593C	24001	15016
Grand Marquis						
1985-1980	5.0L (F) 302"			E0SY-9F593A	24001	15015
1985-1984	5.0L (F) 302"			E0SY-9F593A	24001	15015
1985-1984	5.0L (F) 302"			E4ZZ-9F593C	24001	15016
Lynx						
1985-1984	5.0L (F) 302"			E0SY-9F593A	24001	15015
1985-1984	5.0L (F) 302"			E4ZZ-9F593C	24001	15016
Marquis						
1985-1984	5.0L (F) 302"			E0SY-9F593A	24001	15015
1985-1984	5.0L (F) 302"			E4ZZ-9F593C	24001	15016
Topaz						
1985-1984	5.0L (F) 302"			E0SY-9F593A	24001	15015
1985-1984	5.0L (F) 302"			E4ZZ-9F593C	24001	15016
OLDSMOBILE						
4 CYL						
Calais						
1986-1985	2.5L (U) 151"			17068993	24004	15001
1991-1987	2.5L (U) 151"			17111986, 17112123	24004	15010
Cutlass Ciera						
1986-1982	2.5L (R) 151"	TBI 300		17068993	24000	15001
1992-1987	2.5L (R) 151"	TBI 700		17111986, 17112123	24004	15010
Firenza						
1986-1982	1.8L (O) 112"	TBI 300		17078273	24000	15000
1988-1987	2.0L (1) 121"	TBI 700		17111986	24004	15010
1988-1987	2.0L (K) 121"	TBI 700		17111991	24004	15009
1986-1983	2.0L (P) 121"	TBI 500		17079694	24000	15001
Omega						
1984-1982	2.5L (R) 151"	TBI 300		17068993	24000	15001
1984-1982	2.5L (R) 151"	TBI 300	Brougham	17068993	24000	15001

FUEL INJECTOR - TBI

YEAR	ENGINE	TYPE	FOOTNOTE	OE #	CONNECTOR	PART #
OLDSMOBILE (Cont'd)						
8 CYL Custom Cruiser						
1992-1991	5.0L (E) 305"	TBI 220		17112400	24000	15001
1992	5.7L (7) 350"	TBI 220		17112493	24000	15004
OLDSMOBILE TRUCK						
6 CYL Bravada						
1994-1991	4.3L (Z) 260"			17112521	24000	15000
Silhouette						
1995-1990	3.1L (D) 189"	TBI 220		17112503	24000	15012
PLYMOUTH						
4 CYL Acclaim						
1989	2.5L (K) 153"			4418538	24002	15005
1990	2.5L (K) 153"		Exc. Turbo	4418924	—	15030
1995-1991	2.5L (K) 153"			4554101	—	15031
Caravelle						
1988	2.2L (D) 135"			4418538	24002	15005
1987-1986	2.2L (D) 135"			4300257	24002	15011
1985	2.2L (D) 135"			4275985	—	15027
1988	2.5L (K) 153"			4418538	24002	15005
1987-1986	2.5L (K) 153"			4300257	24002	15011
Horizon						
1989-1988	2.2L (D) 135"			4418538, 4418673	24002	15005
1990	2.2L (D) 135"		Exc. Turbo	4418924	—	15030
Reliant						
1989-1988	2.2L (D) 135"			4418538, 4418673	24002	15005
1987-1986	2.2L (D) 135"			4300257	24002	15011
1985	2.2L (D) 135"			4275985	—	15027
1989-1988	2.5L (K) 153"			4418538	24002	15005
1987-1986	2.5L (K) 153"			4300257	24002	15011
Sundance						
1989-1988	2.2L (D) 135"			4418538, 4418673	24002	15005
1987	2.2L (D) 135"			4300257	24002	15011
1990	2.2L (D) 135"		Exc. Turbo	4418924	—	15030
1993-1991	2.2L (D) 135"			4554101	—	15031
1989-1988	2.5L (K) 153"			4418538	24002	15005
1990	2.5L (K) 153"		Exc. Turbo	4418924	—	15030
1993-1991	2.5L (K) 153"			44108911, 4554101	—	15031
PLYMOUTH TRUCK						
4 CYL Voyager						
1989-1987	2.5L (K) 153"			4418118, 4418538, 4418673	24002	15005
1990	2.5L (K) 153"		Exc. Turbo	4418924	—	15030
1995-1991	2.5L (K) 153"			4418911, 4554101	—	15031
PONTIAC						
4 CYL 6000						
1986-1982	2.5L (R) 151"	TBI 300		17068993	24000	15001
1991-1987	2.5L (R) 151"			17111986, 17112123	24004	15010
Fiero						
1986-1984	2.5L (R) 151"	TBI 300		17068993	24000	15001
1988-1987	2.5L (R) 151"	TBI 700		17111986, 17112123	24004	15010
Firebird						
1986-1982	2.5L (2) 151"	TBI 300		17068993	24000	15001

FUEL INJECTOR - TBI

YEAR	ENGINE	TYPE	FOOTNOTE	OE #	CONNECTOR	PART #
PONTIAC 4 CYL. (Cont'd)						
Grand AM						
1986-1985	2.5L (U) 151"	TBI 300		17068993	24000	15001
1991-1987	2.5L (U) 151"	TBI 700		17111986, 17112123	24004	15010
J2000						
1986-1982	1.8L (O) 112"	TBI 500		17078273	24000	15000
1986-1983	2.0L (P) 122"	TBI 500		17068993	24000	15001
LeMans						
1993-1988	1.6L (6) 98"	TBI 700		17111983	24004	15009
1991-1988	2.0L (K) 122"	TBI 700		17111991	24004	15009
Phoenix						
1984-1982	2.5L (R) 151"			17068993	24000	15001
Sunbird						
1986-1982	1.8L (O) 112"	TBI 500		17078273	24000	15000
1991-1987	2.0L (K) 122"	TBI 700		17111991	24004	15009
1986-1983	2.0L (P) 122"	TBI 500		17068993	24000	15001
6 CYL						
Bonneville						
1986	4.3L (Z) 260"			17111468	24000	15000
Grand Prix						
1987-1986	4.3L (Z) 260"			17111468	24000	15000
Parisienne						
1986-1985	4.3L (Z) 260"	TBI 220		17111468	24000	15000
8 CYL						
Firebird						
1983-1982	5.0L (7) 305"	TBI 400	w/CFFI,Front & Rear	17111545, 17111546	24000	15001
1992-1988	5.0L (E) 305"	TBI 220		17111771	24000	15001
1983-1982	5.0L (S) 305"	TBI 400	w/CFFI,Front & Rear	17111545, 17111546	24000	15001
PONTIAC TRUCK						
6 CYL						
Trans Sport						
1995-1990	3.1L (D) 189"	TBI 220		17112503	24000	15012
RENAULT						
4 CYL						
Alliance						
1986-1983	1.4L (D) 85"			83500063	24000	15012
Encore						
1986-1983	1.4L (D) 85"			83500063	24000	15012
GTA						
1987	2.0L (V) 120"			83504166	24000	15012
LeCar						
1986-1983	1.4L (D) 85"			83500063	24000	15012
SUBARU						
4 CYL						
3 Dr Coupe						
1986	1.8L (4) 109"			16637-AA000	—	15032
Hatchback						
1986	1.8L (4) 109"			16637-AA000	—	15032
1989-1987	1.8L (4) 109"		w/o Turbo	16637-AA010	—	15033
Loyale						
1989-1987	1.8L (4) 109"		3 Dr Coupe,w/o Turbo	16637-AA010	—	15033
1994-1990	1.8L (4) 109"		w/o Turbo	16637-AA010	—	15033
1994-1990	1.8L (5) 109"		w/o Turbo	16637-AA010	—	15033
Sedan						
1986	1.8L (4) 109"			16637-AA000	—	15032
1989-1987	1.8L (4) 109"		w/o Turbo	16637-AA010	—	15033
Wagon						
1986	1.8L (4) 109"			16637-AA000	—	15032
1989-1987	1.8L (4) 109"		w/o Turbo	16637-AA010	—	15033

YEAR	ENGINE	TYPE	FOOTNOTE	OE #	CONNECTOR	PART #
SUZUKI						
4 CYL						
Swift						
1994-1989	1.3L (3) 79"			15710-60B00	—	15025

OEM INTERCHANGES

OEM#	PART#	OEM#	PART#	OEM#	PART#	OEM#	PART#
BOSCH		E0SE-9F593A2A	15015	17111695	15001	JEEP/EAGLE	
0-280-150-067	15011	E0SE-9F593A2AA	15015	17111756	15012	33002849	15018
0-280-150-363	15027	E0SY-9F593A	15015	17111771	15001	33002850	15018
0-280-150-400	15015	E3VE-9F593A	15014	17111774	15004	83502748	15018
0-280-150-402	15014	E3VE-9F593AA	15014	17111784	15017	83504851	15018
0-280-150-403	15016	E3VY-9F593A	15014	17111814	15010	83505188	15018
0-280-150-600	15008	E43E-9F593AA	15008	17111821	15009	MOTORCRAFT	
0-280-150-601	15006	E4ZE-9F593BA	15016	17111864	15004	CM3355	15015
0-280-150-604	15007	E4ZE-9F593CA	15016	17111865	15017	CM3974	15014
0-280-150-606	15008	E4ZZ-9F593C	15016	17111866	15001	CM4304	15016
0-280-150-621	15011	E53Z-9F593A	15008	17111928	15000	CM4361	15008
0-280-150-628	15005	E53Z-9F593B	15006	17111929	15000	CM4362	15006
0-280-150-636	15011	E5SE-9F593EA	15015	17111930	15000	CM4558	15007
0-280-150-637	15020	E5SE-9F593EB	15015	17111931	15000	CM4636	15034
0-280-150-640	15005	E5SE-9F593EC	15015	17111933	15009	RENAULT	
0-280-150-653	15005	E5SE-9F593FA	15015	17111952	15009	8953-002-152	15018
0-280-150-655	15030	E73Z-9F593A	15007	17111981	15009	8953-002-153	15018
0-280-150-656	15030	E7EE-9F593CA	15007	17111983	15009	8953-003-905	15018
0-280-150-665	15031	E7FZ-9F593AB	15007	17111986	15010	8953-003-905	15018
		E8FZ-9C973A	15007	17111991	15009	8953-003-956	15505
CHRYSLER		E8FZ-9C973B	15007	17112022	15009	8953-004-291	15018
4275985	15027	ES3E-9F593AA	15006	17112123	15010	8953-004-291	15018
4300257	15011			17112249	15017	8983-500-063	15012
4306002	15011		GM	17112395	15001	8983-502-748	15018
441599	15005	17067977	15004	17112400	15001	8983-504-166	15012
4418118	15005	17068993	15001	17112493	15004	SUBARU	
4418269	15005	17078258	15003	17112503	15012	16637-AA000	15032
4418503	15005	17078273	15000	17112506	15012	16637-AA010	15033
4418504	15020	17078885	15001	17112521	15000	SUZUKI	
4418505	15023	17079012	15004	17112522	15000	15710-60B00	15025
4418537	15011	17079500	15003	17112584	15004		
4418538	15005	17079694	15001	17112742	15022		
4418550	15005	17102104	15022	17113080	15021		
4418553	15011	17104288	15021	5233760	15003		
4418601	15020	17110659	15003	5233785	15001		
4418602	15005	17111159	15000	5234085	15003		
4418604	15023	17111230	15012	5234105	15000		
4418614	15005	17111276	15003	5234210	15004		
4418637	15005	17111277	15003	5234395	15001		
4418673	15005	17111456	15012	5235048	15000		
4418864	15030	17111468	15000	5235132	15003		
4418911	15031	17111539	15003	5235198	15003		
4418924	15030	17111540	15003	5235204	15003		
4467038	15020	17111541	15003	5235205	15003		
4554101	15031	17111542	15000	5235277	15010		
53008487	15029	17111543	15001	5235278	15009		
		17111544	15001	5235760	15003		
FORD		17111549	15000	96060117	15025		
94ZZ-9F593C	15016	17111550	15012	96063614	15026		
E0SE-9F593A1A	15015	17111694	15000				

FUEL INJECTOR - TBI

PART #	APPLICATION & YEAR	NUMERICAL LIST	FIG. #
15000	BUICK, OLDSMOBILE 86-82, CADILLAC 89-88, CHEVROLET 93-92, 90-85, CHEVROLET TRUCK, GMC TRUCK 96-86, OLDSMOBILE TRUCK 94-91, PONTIAC 87-82	1	1
15001	BUICK 91, 86-82, CADILLAC 86-82, CHEVROLET 86-82, 92-88, CHEVROLET TRUCK, GMC TRUCK 95-85, OLDSMOBILE 86-82, 92-91, PONTIAC 92-88, 86-82	1	1
15003	CADILLAC 87-82	1	1
15004	BUICK 93-92, CADILLAC 93-91, 83-80, CHEVROLET 93-92, CHEVROLET TRUCK 96-87, GMC TRUCK 96-87, ISUZU 95-93, OLDSMOBILE 92	1	1
15005	CHRYSLER, DODGE 89-88, DODGE TRUCK 91-87, PLYMOUTH TRUCK 89-87	2	2
15006	FORD 88-86, MERCURY 87-86	3	3
15007	FORD 90-87, MERCURY 95-90, 87	3	3
15008	FORD, MERCURY 87-85	3	3
15009	BUICK, OLDSMOBILE 88-87, PONTIAC 87-93	4	4
15010	BUICK, OLDSMOBILE 92-87, CHEVROLET, CHEVROLET TRUCK 93-87, PONTIAC 91-87	4	4
15011	CHRYSLER, DODGE, PLYMOUTH 87-86	2	2
15012	CHEVROLET TRUCK 95-86, GMC TRUCK 93-86, ISUZU 94-89, OLDSMOBILE TRUCK, PONTIAC TRUCK 95-90, RENAULT 87-83	1	1
15014	FORD, MERCURY 87-84	5	5
15015	FORD 85-81, LINCOLN, MERCURY 85-80	5	5
15016	FORD, LINCOLN, MERCURY 85-84	5	5
15017	CHEVROLET TRUCK 93-87	1	1
15018	DODGE 90, EAGLE 89-88, JEEP 90-86	1	1
15020	DODGE TRUCK 90-88	2	2
15021	CHEVROLET TRUCK, GMC TRUCK 97-94	1	1
15022	CHEVROLET TRUCK, GMC TRUCK 96-92	4	4
15023	DODGE TRUCK 91-89	2	2
15025	GEO 93-89, SUZUKI 94-89	10	10
15026	CHEVROLET 99-98, GEO 97-89	9	9
15027	CHRYSLER, DODGE 85-83, PLYMOUTH 85	6	6
15029	WHEN OUT USE 15020	8	8
15030	CHRYSLER, DODGE, PLYMOUTH, PLYMOUTH TRUCK 90, DODGE TRUCK 96-90	7	7
15031	DODGE, DODGE TRUCK, PLYMOUTH, PLYMOUTH TRUCK 95-91, CHRYSLER 93-91	9	9
15032	SUBARU 86	11	11
15033	SUBARU 94-87	11	11
15034	FORD 90-89	3	3

