

EGR VALVE POSITION SENSORS (EVP)

WHAT THEY DO

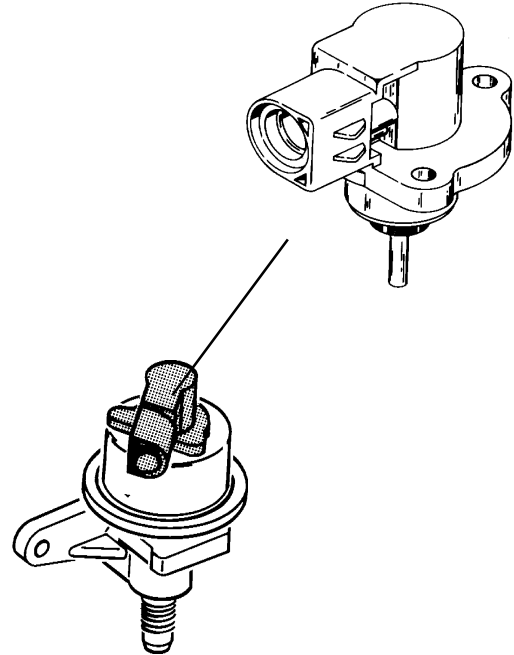
Monitor EGR flow to maintain peak engine performance and emission control on some vehicles.

FAILURE SYMPTOMS

Poor fuel economy, sudden acceleration, hesitation, "Check Engine" light on.

MAINTENANCE/SERVICE

Inspect for corroded terminals. Check shaft movement and terminal resistance with proper test equipment.



YEAR	ENGINE	MODEL/FOOTNOTES	COLOR	OE #	EVP #	EVP KIT #
FORD						
4 CYL.						
1993-86	2.3L (A,M) 140"	Mustang	(Gray)	E5AF-9G428A1A,A2A,E7TF-AA, F2ZE-AA	14001	---
1987-84	2.3L (S,X) 140"	Tempo	(Gray)	E5AF-9G428A1A,A2A,E7TF-AA	14001	---
1990-86	2.5L (D) 151"	Taurus	(Gray)	E5AF-9G428A1A,A2A,E7TF-AA	14001	---
6 CYL.						
1987-85	3.8L 232"	Thunderbird	(Black)	E43F-9G428A1A,A2A,A1B	14000	14005
1984	3.8L 232"	LTD, Mustang, Thunderbird	(Black)	E43F-9G428A1A,A2A,A1B	14000	14005
8 CYL.						
1993-86	5.0L 302"	Mustang	(Gray)	E5AF-9G428A1A,A2A,E7TF-AA, F2ZE-AA	14001	14006
1990-86	5.0L 302"	Crown Victoria, LTD	(Gray)	E5AF-9G428A1A,A2A,E7TF-AA	14001	14006
1988-86	5.0L 302"	Thunderbird	(Gray)	E5AF-9G428A1A,A2A,E7TF-AA	14001	14006
1985-83	5.0L 302"	Country Squire, Crown Victoria, LTD, Mustang, Thunderbird	(Black)	E43F-9G428A1A,A1B,A2A	14000	14005
1980	5.0L 302"	LTD (Cal)	(Black)	D9AE-9G428A1A,A4A,A5A, E43F-A1A, A1B,A2A	14000	14005
1981-80	5.8L 351"	LTD (Cal)	(Black)	D9AE-9G428A1A,A4A,A5A, E43F-A1A,A1B,A2A	14000	14005

EGR VALVE POSITION SENSORS

YEAR	ENGINE	MODEL/FOOTNOTES	COLOR	OE #	EVP #	EVP KIT #
FORD TRUCK						
4 CYL.						
1993-88	2.3L 140"	Ranger	(Gray)	E7TF-9G428AA,F2ZE-AA	14001	---
1987-86	2.3L 140"	Aerostar, Ranger	(Gray)	E5AF-9G428A1A,A2A,E7TF-AA	14001	---
1986-85	2.3L 140"	Aerostar, Bronco II, Ranger	(Black)	E43F-9G428A1A,A1B,A2A	14000	---
6 CYL.						
1986-85	2.8L 171"	Aerostar, Bronco II, Ranger	(Gray)	E5AF-9G428A1A,A2A	14001	14006
1984-83	2.8L 171"	Bronco II, Ranger	(Black)	E43F-9G428A1A,A1B,A2A	14000	14006
8 CYL.						
1993-87	4.9L 300"	E, F Series	(Gray)	E7TF-9G428AA,F2ZE-AA	14001	---
1993-85	5.0L 302"	Bronco, E, F Series	(Gray)	E5AF-9G428A1A,A2A,E7TF-AA, F2ZE-AA	14001	---
1985-81	5.0L 302"	E, F Series (2Bbl)	(Black)	E43F-9G428A1A,A1B,A2A	14000	14005
1993-88	5.8L 351"	Bronco, E, F Series	(Gray)	E7TF-9G428AA,F2ZE-AA	14001	---
1985-81	5.8L 351"	Bronco, E, F Series (2Bbl)	(Black)	E43F-9G428A1A,A1B,A2A	14000	14005
1993-88	7.5L 460"	E, F Series	(Gray)	E7TF-9G428AA	14001	---
LINCOLN						
8 CYL.						
1992-87	5.0L 302"	Mark	(Gray)	E5AF-9G428A1A,A2A,E7TF-AA, F2ZE-AA	14001	14006
1990-86	5.0L 302"	Towncar	(Gray)	E5AF-9G428A1A,A2A,E7TF-AA, F2ZE-AA	14001	14006
1987-86	5.0L 302"	Continental	(Gray)	E5AF-9G428A1A,A2A,E7TF-AA, F2ZE-AA	14001	14006
1985-83	5.0L 302"	Continental, Mark, Mark LSC, Towncar	(Black)	E43F-9G428A1A,A1B,A2A	14000	14005
1982-80	5.0L 302"	Mark, Towncar	(Black)	D9AE-9G428A1A,A4A,A5A, E43F-A1A, A1B,A2A	14000	14005
MERCURY						
4 CYL.						
1987-84	2.3L 140"	Topaz	(Gray)	E5AF-9G428A1A,A2A	14001	14006
1986	2.5L 151"	Sable	(Gray)	E5AF-9G428A1A,A2A	14001	14006
6 CYL.						
1987-84	3.8L 232"	Capri, Cougar, Marquis	(Black)	E43F-9G428A1A,A1B,A2A	14000	14005
8 CYL.						
1991-86	5.0L 302"	Grand Marquis	(Gray)	E5AF-9G428A1A,A2A,E7TF-AA	14001	14006
1991-86	5.0L 302"	Cougar	(Gray)	E7TF-9G428AA	14001	14006
1986	5.0L 302"	Capri	(Gray)	E5AF-9G428A1A,A2A	14001	14006
1985-84	5.0L 302"	Capri, Marquis	(Black)	E43F-9G428A1A,A1B,A2A	14000	14005
1985-83	5.0L 302"	Cougar, Grand Marquis	(Black)	E43F-9G428A1A,A1B,A2A	14000	14005

OEM INTERCHANGES

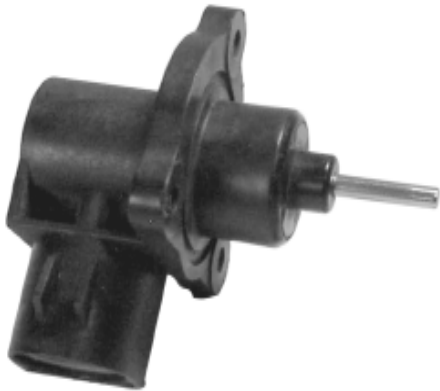
OEM#	PART#	OEM#	PART#	OEM#	PART#	OEM#	PART#
FORD -9G428-		E3ZE-A2A	14000	E6TE-B2A	14001	FORD SONIC	
		E3ZE-A4A	14000	E6TE-B4A	14001	EGR VALVE -9H473-	
D9AE-A1A	14000	E43E-C2A	14000	E73E-B2A	14001	E1PE-B2A	14000
D9AE-A4A	14000	E43E-C4A	14000	E73E-B4A	14001	E1PE-B4A	14000
D9AE-A5A	14000	E45E-A2A	14000	E79E-B2A	14001	E1PE-H2A	14000
E43F-A1A	14000	E45E-A3A	14000	E79E-B4A	14001	E1PE-H3A	14000
E43F-A1B	14000	E4AE-A2A	14000	E7AE-A2A	14001	E1PE-H4A	14000
E43F-A2A	14000	E4AE-A4A	14000	E7SE-A2A	14000	E5PE-B2A	14000
E5AF-A1A	14001	E4AE-A4B	14000	E7TE-C2A	14001	E5PE-B4A	14000
E5AF-A2A	14001	E4AE-A4C	14000	E7TE-D2A	14001	E6PE-B2A	14001
E7TF-AA	14001	E4TE-A2A	14000	E7TE-F2A	14001	E6PE-B4A	14001
F2ZE-AA	14001	E4TE-A4A	14000	E7TE-F4A	14001	E8PE-D4A	14001
FORD SONIC		E4TE-C2A	14000	E7TE-G2A	14001		
EGR VALVE -9F483-		E4TE-C4A	14000	E7TE-G4A	14001		
E0AE-A2A	14000	E4TE-D2A	14000	E7ZE-B2B	14001		
E0AE-A3A	14000	E4TE-D4A	14000	E7ZE-B4B	14001		
E0AE-A4A	14000	E53E-A2C	14001	E8TE-A2A	14001		
E0AE-C2A	14000	E53E-B2C	14001	E8TE-A4A	14001		
E0AE-C3A	14000	E53E-B4C	14001	E8TE-B2A	14001		
E0AE-C4A	14000	E57E-A2A	14000	E8TE-B4A	14001		
E0SE-A2A	14000	E57E-A4B	14000	E8TE-C2A	14001		
E0SE-A3A	14000	E57E-A4C	14000	E8TE-D2A	14001		
E0SE-A4A	14000	E59E-A2C	14001	E8TE-E2A	14001		
E0SE-B2A	14000	E59E-A4C	14001	E97E-A2A	14001		
E0SE-B3A	14000	E5AE-A2A	14000	E97E-A4A	14001		
E0SE-B4A	14000	E5AE-A4A	14000	F27E-A2B	14001		
E1TE-B2A	14000	E5AE-A4B	14000	F27E-A4B	14001		
E1TE-B3A	14000	E5SE-A2A	14000	F2AE-AA	14001		
E1TE-B4A	14000	E5SE-A4A	14000	F2TE-A2B	14001		
E27E-A2B	14001	E5TE-B2A	14000	F2TE-B2A	14001		
E37E-A2A	14000	E5TE-B4A	14000	F2TE-B4A	14001		
E3AE-A2A	14000	E5TE-D2B	14001	F2TE-C2A	14001		
E3AE-A4A	14000	E5TE-D4B	14001	F2TE-C4A	14001		
E3TE-C2A	14000	E5TE-E2A	14001	F2TE-D2A	14001		
E3TE-C3A	14000	E5TE-E2B	14001	F2TE-D4A	14001		
E3TE-D2A	14000	E5TE-E4A	14001	F2TE-E2A	14001		
E3TE-D4A	14000	E5ZE-A4B	14000	F2TE-E4A	14001		
E3VE-A2A	14000	E6AE-C2A	14001	F2TE-F2A	14001		
E3VE-A4A	14000	E6AE-C4A	14001	F2TE-F4A	14001		
		E6AE-D4A	14001				

EGR VALVE POSITION SENSORS

ILLUSTRATED PARTS GUIDE

NUMERICAL LIST

PART#	APPLICATION & YEAR	FIG#
14000	FORD 80-81,83-87, F TRK 81-86, LINC 80-85, MERC 83-87	1
14001	FORD 84-93, F TRK 85-93, LINC 86-92, MERC 84-91	2
14005	FORD 80-81,83-87 F TRK 81-85, LINC 80-85, MERC 83-87	3
14006	FORD 86-93, F TRK 83-86, LINC 86-92, 84-91	3



BLACK
FIG. 1



GRAY
FIG. 2

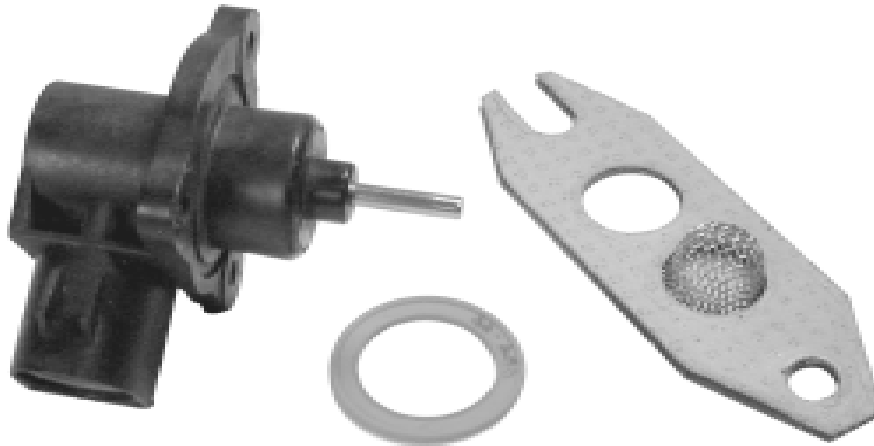


FIG. 3

EGR Carbon Filter and Position Sensor Kits

Provide a complete package to service Ford Electronic control EGR valves.