

ENGINE COOLANT TEMPERATURE SENSORS (ECT) COOLANT TEMPERATURE SENSORS (CTS) WATER TEMPERATURE SENSORS (THW)

WHAT THEY DO

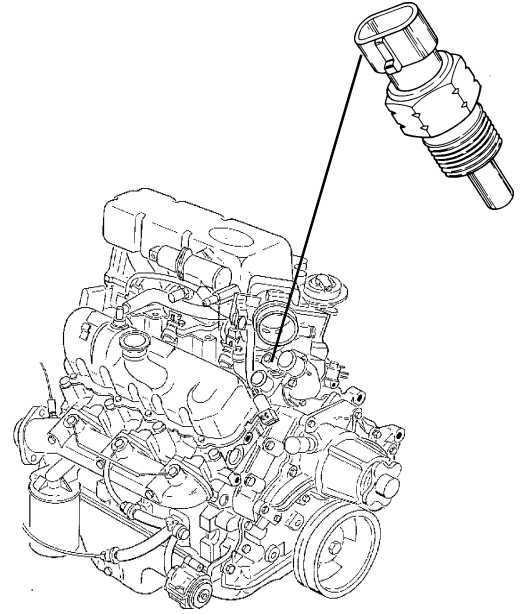
Measure coolant temperature and signal computer to adjust air/fuel mixture.

FAILURE SYMPTOMS

Poor performance, economy and hard starting. Watch for service flag, or "Check Engine" light.

MAINTENANCE/SERVICE

Inspect every 12,000 to 15,000 miles. Check for conductivity. Old coolant may cause sensor malfunction. Old coolant or improper liquid level may make the sensor inoperable.



YEAR	ENGINE	FOOTNOTE	OE #	PART #	UNIV PART #
ACURA					
CL 4 CYL.					
1997	2.2L (F22B1) 134"		37870-PK2-005	12029	—
1999-1998	2.3L (F23A1) 140"		37870-PK2-005	12029	—
Integra					
1989-1988	1.6L (D16A1) 97"		37870-PJ7-003	12029	—
1987-1986	1.6L (D16A1) 97"		37870-PE2-003	12020	—
1991-1990	1.8L (B18A1) 112"		37870-PJ7-003	12029	—
2001-1992	1.8L (B18B1) 112"		37870-PJ7-003	12029	—
Integra GS-R					
2001-1994	1.8L (B18C1) 112"	VTEC	37870-PJ7-003	12029	—
2000	1.8L (B18C5) 112"	VTEC	37870-PJ7-003	12029	—
TL 5 CYL.					
1998-1995	2.5L (G25A4) 151"		37870-PJ7-003	12029	—
Vigor					
1994-1992	2.5L (G25A4) 151"		37870-PJ7-003, PK2-005	12029	—
CL 6 CYL.					
1999-1997	3.0L (J30A1) 182"		37870-PK2-005	12029	—
2002-2001	3.2L (J32A1) 196"		37870-PK2-005	12029	—
2002-2001	3.2L (J32A2) 196"		37870-PK2-005	12029	—

ENGINE COOLANT TEMPERATURE SENSORS

YEAR	ENGINE	FOOTNOTE	OE #	PART #	UNIV PART #
ACURA 6 CYL. (Cont'd)					
Legend					
1987-1986	2.5L (C25A1) 151"		37870-PD6-003	12022	—
1990-1987	2.7L (C27A1) 163"		37870-PD6-003	12022	—
1995-1991	3.2L (C32A1) 196"		37870-PJ7-003	12029	—
1996	3.2L (C32A6) 196"		37870-PJ7-003	12029	—
NSX					
2002-1991	3.0L (C30A1) 182"		37870-PJ7-003	12029	—
2002-1997	3.2L (32B1) 196"		37870-PJ7-003	12029	—
RL					
2002-1996	3.5L (C35A1) 214"		37870-PJ7-003	12029	—
TL					
1999-1996	3.2L (C32A6) 196"		37870-PK2-005, PJ7-003	12029	—
2002-1999	3.2L (J32A1) 196"		37870-PK2-005	12029	—
ACURA TRUCK					
6 CYL.					
MDX					
2002-2001	3.5L (C35A1) 214"		37870-PJ7-003	12029	—
SLX					
1997-1996	3.2L (6VD1) 196"		8-12146-312-0	12001	—
1999-1998	3.5L (6VE-10) 214"		8-12146-312-0	12001	—
ALFA ROMEO					
4 CYL.					
Spider					
1992-1990	2.0L (2) 120"		0-280-130-026	12041	—
Spider 2000					
1989-1982	2.0L (AR01544) 120"		0-280-130-023	12026	—
6 CYL.					
164					
1992-1991	3.0L (3) 181"		0-280-130-026	12041	—
GTV 6					
1986-1981	2.5L (AR01911) 152"		0-280-130-023	12026	—
Milano					
1989-1987	2.5L (AR01911) 152"		0-280-130-023	12026	—
AM General					
8 CYL.					
Hummer					
1996-1995	5.7L (D) 350"		15326386	12001	12500
2001-1997	6.5L (Z) 397"		15326386	12001	12500
AUDI					
4 CYL.					
80					
1990-1988	2.0L (3A)		026-906-161	12042	—
4000					
1984	1.8L (JN)		026-906-161	12042	—
5 CYL.					
80					
1992	2.3L (C,D) 141"	9/91 On	034-906-161, 0-280-130-053	12050	—
80 Quattro					
1991	2.3L (B) 141"		034-906-161, 0-280-130-053	12050	—
90					
1991-1988	2.3L (B) 141"		034-906-161, 0-280-130-053	12050	—
90 Quattro					
1989-1988	2.3L (B) 141"		034-906-161, 0-280-130-053	12050	—
100					
1991-1989	2.3L (B) 141"		034-906-161, 0-280-130-053	12050	—
100 Quattro					
1991-1989	2.3L (B) 141"		034-906-161, 0-280-130-053	12050	—

ENGINE COOLANT TEMPERATURE SENSORS

YEAR	ENGINE	FOOTNOTE	OE #	PART #	UNIV PART #
AUDI 5 CYL. (Cont'd)					
4000 Quattro					
1987-1984	2.2L (KX) 136"		035-919-369M	12043	—
5000					
1987-1986	2.2L (KX) 136"	To 9/86	035-919-369M	12043	—
1985	2.2L (KZ) 136"		035-919-369M	12043	—
1988-1987	2.3L (B/NF) 141"	10/86 On,w/oTurbo	034-906-161, 0-280-130-053	12050	—
5000 Quattro					
1987	2.3L (B) 141"		034-906-161, 0-280-130-053	12050	—
Coupe					
1987-1985	2.2L (KX) 136"	To 1/87	035-919-369M	12043	—
1987	2.3L (B/NG) 141"		034-906-161, 0-280-130-053	12050	—
GT					
1987-1985	2.2L (KX) 136"	To 1/87	035-919-369M	12043	—
1987	2.3L (B/NG) 141"		034-906-161, 0-280-130-053	12050	—
6 CYL.					
100					
1994-1992	2.8L (AAH) 169"		026-906-161	12042	—
100 Quattro					
1994-1992	2.8L (AAH) 169"		026-906-161	12042	—
8 CYL.					
V8 Quattro					
1991-1990	3.6L (PT) 217"		035-919-369M	12043	—
1992	4.2L (ABH) 256"		035-919-369M	12043	—
BENTLEY					
8 CYL.					
Turbo R					
1994-1988	6.8L 415"		0-280-130-026	12041	—
BMW					
4 CYL.					
318i					
1985-1983	1.8L (M10B18) 110"		0-280-130-023	12026	—
1992	1.8L (M42) 110"		0-280-130-026	12041	—
318iC					
1992	1.8L (M42) 110"		0-280-130-026	12041	—
318iS					
1992-1991	1.8L (M42) 110"		0-280-130-026	12041	—
M3					
1991-1987	2.3L (S14) 140"		0-280-130-026	12041	—
6 CYL.					
3.0Si					
1976-1975	3.0L (M30) 182"		0-280-130-023	12026	—
325e					
1988-1985	2.7L (M20) 165"		0-280-130-026	12041	—
1984	2.7L (M20B27) 164"		0-280-130-023	12026	—
325i					
1991-1990	2.5L (M20) 152"		0-280-130-023	12026	—
1992	2.5L (M50) 152"		0-280-130-026	12041	—
325iC					
1991-1990	2.5L (M20) 152"		0-280-130-023	12026	—
1988	2.5L (M20) 152"		0-280-130-026	12041	—
325iS					
1988-1987	2.5L (M20) 152"		0-280-130-026	12041	—
325iX					
1991-1990	2.5L (M20) 152"		0-280-130-023	12026	—
1988	2.5L (M20) 152"		0-280-130-026	12041	—

ENGINE COOLANT TEMPERATURE SENSORS

YEAR	ENGINE	FOOTNOTE	OE #	PART #	UNIV PART #
BMW 6 CYL. (Cont'd)					
525i					
1990-1989	2.5L (M20) 152"	12V	0-280-130-026	12041	—
1992-1991	2.5L (M50) 152"	24V	0-280-130-026	12041	—
528e					
1988-1985	2.7L (M20) 165"		0-280-130-026	12041	—
1984-1982	2.7L (M20B27) 164"		0-280-130-023	12026	—
528i					
1981-1979	2.8L (M30) 170"		0-280-130-023	12026	—
533i					
1984-1983	3.2L (M30B32) 196"		0-280-130-023	12026	—
535i					
1992-1985	3.5L (M30) 209"		0-280-130-026	12041	—
630CSi					
1978-1977	3.0L (M30) 182"		0-280-130-023	12026	—
633CSi					
1984-1978	3.2L (M30B32) 196"		0-280-130-023	12026	—
635CSi					
1988-1985	3.5L (M30) 209"		0-280-130-026	12041	—
733i					
1984-1978	3.2L (M30B32) 196"		0-280-130-023	12026	—
735i					
1992-1985	3.5L (M30) 209"		0-280-130-026	12041	—
L6					
1987	3.5L (M30E) 209"		0-280-130-026	12041	—
L7					
1987-1986	3.5L (M30) 209"		0-280-130-026	12041	—
M5					
1988-1987	3.4L (M30B34) 209"		0-280-130-023	12026	—
1988-1987	3.4L (M30B35MZ) 209"		0-280-130-023	12026	—
1992-1990	3.5L (S38) 209"		0-280-130-026	12041	—
M6					
1988-1987	3.4L (M30B34) 209"		0-280-130-023	12026	—
1988-1987	3.4L (M30B35MZ) 209"		0-280-130-023	12026	—
1989	3.5L (S38) 209"		0-280-130-026	12041	—
BUICK					
4 CYL.					
Century					
1996-1994	2.2L (4) 135"	3 Blade w/Ind Switch	10096181	12062	—
1992-1985	2.5L (R) 151"		25036979	12001	12500
Century Estate Wagon					
1989-1985	2.5L (R) 151"		12146312	12001	12500
Regal					
1991-1985	2.5L (U) 151"		25036979	12001	12500
Skyhawk					
1982	1.8L (G) 111"		25036092	—	12500
1986-1985	1.8L (J) 111"		25036979	12001	12500
1986-1985	1.8L (O) 111"		25036979	12001	12500
1984-1982	1.8L (O) 111"		25036092	—	12500
1984-1987	2.0L (1) 121"		25036979	12001	12500
1982	2.0L (B) 121"	2Bbl.	25036092	—	12500
1988-1987	2.0L (K) 121"		25036979	12001	12500
1986-1985	2.0L (P) 121"		25036979	12001	12500
1984-1983	2.0L (P) 121"		25036092	—	12500

ENGINE COOLANT TEMPERATURE SENSORS

YEAR	ENGINE	FOOTNOTE	OE #	PART #	UNIV PART #
BUICK 4 CYL. (Cont'd)					
Skylark					
1994-1992	2.3L (3) 138"		25036979	12001	12500
1995-1988	2.3L (D) 138"		12146312	12001	—
1998-1996	2.4L (T) 146"		12146312	12001	—
1985	2.5L (R) 151"		12146312	12001	12500
1984-1981	2.5L (R) 151"		8993298, 25036092	—	12500
1991-1985	2.5L (U) 151"		25036979	12001	12500
Somerset					
1991-1985	2.5L (U) 151"		25036979	12001	12500
6 CYL.					
Century					
1989-1987	2.8L (W) 173"		25036979	12001	12500
1986-1985	2.8L (X) 173"		25036979	12001	12500
1984-1982	2.8L (X) 173"		25036092	—	12500
1985	3.0L (E) 173"		25036979	12001	12500
1984-1982	3.0L (E) 173"		25036092	—	12500
1988	3.0L (L) 173"		25036979	12001	12500
2004-2003	3.1L (J) 189"		25036979	12001	12500
2002-2000	3.1L (J) 189"	3 Blade w/ind Switch	10096181	12062	—
1999-1996	3.1L (M) 189"	3 Blade w/ind Switch	10096181	12062	—
1995-1994	3.1L (M) 189"		25036979	12001	12500
1995-1994	3.1L (M) 189"		12146312	12001	—
1993-1989	3.3L (N) 204"		25036979	12001	12500
1979	3.8L (2) 231"		8993311	—	12500
1988-1985	3.8L (3) 231"		25036979	12001	12500
1984-1980	3.8L (3) 231"		25036092	—	12500
1981-1979	3.8L (A) 231"		25036092	—	12500
1986	3.8L (B) 231"		25036979	12001	12500
1985	4.3L (T) 260"		25036979	12001	12500
Century Estate Wagon					
1988-1987	2.8L (W) 173"		12146312	12001	12500
1986	2.8L (X) 173"		12146312	12001	12500
1985	3.0L (E) 181"		12146312	12001	12500
1989	3.3L (N) 204"		12146312	12001	12500
1988-1985	3.8L (3) 231"		12146312	12001	12500
1985	4.3L (T) 260"		12146312	12001	12500
Electra					
1985	3.0L (E) 173"		25036979	12001	12500
1984	3.0L (E) 173"		25036092	12001	12500
1988-1985	3.8L (3) 231"		25036979	12001	12500
1984	3.8L (3) 231"		25036092	12001	12500
1984-1983	3.8L (A) 231"		25036092	12001	12500
1986	3.8L (B) 231"		25036979	12001	12500
1990-1988	3.8L (C) 231"		25036979	12001	12500
1985	4.3L (T) 260"		25036092	12001	12500
Electra Limited					
1987	3.8L (3) 231"		12146312	12001	12500
Electra Park Avenue					
1987	3.8L (3) 231"		12146312	12001	12500
1986	3.8L (B) 231"		12146312	12001	12500
1990-1988	3.8L (C) 231"		12146312	12001	12500
1990	3.8L (C) 231"		12146312	12001	12500
1985	4.3L (T) 260"		12146312	12001	12500
Estate Wagon					
1980	3.8L (3) 231"		8993311	—	12500
1980-1979	3.8L (A) 231"		8993298	—	12500

A complete cross reference from O.E.M. part numbers to Tomco, Inc. part numbers begin on page 140.

ENGINE COOLANT TEMPERATURE SENSORS

YEAR	ENGINE	FOOTNOTE	OE #	PART #	UNIV PART #
BUICK 6 CYL. (Cont'd)					
LeSabre					
1987-1986	3.0L (L) 173"		25036979	12001	12500
1988-1986	3.8L (3) 231"		25036979	12001	12500
1980	3.8L (3) 231"	Turbo	25036092	—	12500
1985	3.8L (A) 231"		25036979	12001	12500
1984-1979	3.8L (A) 231"		25036092	—	12500
1986	3.8L (B) 231"		25036979	12001	12500
1991-1988	3.8L (C) 231"		25036979	12001	12500
2004-2000	3.8L (K) 231"		12146312	12001	12500
1996-1995	3.8L (K) 231"		25036979	12001	12500
1995-1992	3.8L (L) 231"		25036979	12001	12500
Park Avenue					
2004-1996	3.8L (1) 231"	SC	12146312	12001	12500
1995-1991	3.8L (1) 231"	SC	25036979	12001	12500
1987	3.8L (3) 231"		12146312	12001	12500
1986	3.8L (B) 231"		12146312	12001	12500
1990-1988	3.8L (C) 231"		12146312	12001	12500
1990	3.8L (C) 231"		12146312	12001	12500
2004-1999	3.8L (K) 231"		12146312	12001	12500
1996-1995	3.8L (K) 231"		25036979	12001	12500
1995-1991	3.8L (L) 231"		25036979	12001	12500
1985	4.3L (T) 260"		12146312	12001	12500
Reatta					
1990-1988	3.8L (C) 231"		25036979	12001	12500
1992-1991	3.8L (L) 231"		25036979	12001	12500
Regal					
1989-1988	2.8L (W) 173"		25036979	12001	12500
1988	3.0L (L) 173"		25036979	12001	12500
1999-1996	3.1L (M) 189"	3 Blade w/Ind Switch	10096181	12062	—
1995-1994	3.1L (M) 189"		25036979	12001	12500
1993-1989	3.1L (T) 189"		25036979	12001	12500
2004-2003	3.8L (1) 231"	GS Models	12146312	12001	12500
2002	3.8L (1) 231"	3 Blade w/Ind Switch	10096181	12062	—
2002	3.8L (1) 231"	3 Blade w/Ind Switch	10096181	12062	—
1979	3.8L (2) 231"		8993311	—	12500
1982-1980	3.8L (3) 231"	Turbo	25036092	—	12500
1987-1986	3.8L (7) 231"	Grand National, Turbo	25036979	12001	12500
1985	3.8L (9) 231"	Turbo	25036979	12001	12500
1984	3.8L (9) 231"	Turbo	25036092	—	12500
1987-1985	3.8L (A) 231"		25036979	12001	12500
1984-1979	3.8L (A) 231"		25036092	—	12500
2002-2000	3.8L (J) 231"	3 Blade w/Ind Switch	10096181	12062	—
2004-2001	3.8L (K) 231"	LS Models	12146312	12001	12500
1996	3.8L (K) 231"		25036979	12001	12500
1995-1990	3.8L (L) 231"		25036979	12001	12500
1999-1996	3.8L (M) 231"	3 Blade w/Ind Switch	10096181	12062	—
Riviera					
2000-1995	3.8L (1) 231"	SC	25036979	12001	12500
1987	3.8L (3) 231"		25036979	12001	12500
1982-1980	3.8L (3) 231"	Turbo	25036092	—	12500
1985	3.8L (9) 231"	Turbo	25036979	12001	12500
1984	3.8L (9) 231"	Turbo	25036092	—	12500
1983	3.8L (A) 231"		25036092	—	12500
1986	3.8L (B) 231"		25036979	12001	12500
1990-1988	3.8L (C) 231"		25036979	12001	12500

ENGINE COOLANT TEMPERATURE SENSORS

YEAR	ENGINE	FOOTNOTE	OE #	PART #	UNIV PART #
BUICK 6 CYL. Riviera (Cont'd)					
1996-1995	3.8L (K) 231"		25036979	12001	12500
1993-1991	3.8L (L) 231"		25036979	12001	12500
Skyhawk					
1980-1979	3.8L (A) 231"		25036092	—	12500
Skylark					
1980	2.8L (7) 173"		8993298	—	12500
1985	2.8L (W) 173"		25036979	12001	12500
1985	2.8L (X) 173"		25036979	12001	12500
1984-1982	2.8L (X) 173"		25036092	—	12500
1984-1981	2.8L (Z) 173"		25036092	—	12500
1988-1986	3.0L (L) 173"		25036979	12001	12500
1998-1994	3.1L (M) 189"		25036979	12001	12500
1993-1989	3.3L (N) 204"		25036979	12001	12500
1979	3.8L (A) 231"	Cal.	25036092	—	12500
Somerset					
1987-1985	3.0L (L) 173"		25036979	12001	12500
8 CYL.					
Century					
1981	4.1L (4) 252"		25036092	—	12500
1981	4.3L (S) 265"		8993298	—	12500
1981	4.3L (S) 265"		25036092	—	12500
1981	4.4L (J) 267"		25036092	—	12500
1980	5.0L (H) 307"	Cal.	8993311	—	12500
Electra					
1984-1981	4.1L (4) 252"		25036092	—	12500
1983-1981	5.0L (Y) 307"		8993311	—	12500
Electra Estate Wagon					
1990-1985	5.0L (Y) 307"		25036979	12001	12500
1985	5.7L (N) 350"		25036979	12001	12500
1980	5.7L (R) 350"		8993298	—	12500
Electra Limited					
1980	5.7L (R) 350"		8993298	—	12500
Electra Park Avenue					
1980	5.7L (R) 350"		8993298	—	12500
Estate Wagon					
1980	5.7L (R) 350"		8993298	—	12500
LeSabre					
1984-1981	4.1L (4) 252"		25036092	—	12500
1981	4.4L (J) 267"		25036092	—	12500
1987-1985	5.0L (Y) 307"		25036092	12001	12500
1984-1981	5.0L (Y) 307"		8993311	—	12500
1993-1992	5.7L (7) 350"		25036979	12001	12500
1985	5.7L (N) 350"		12146312	12001	12500
1980	5.7L (R) 350"		8993298	—	12500
LeSabre Estate Wagon					
1990-1985	5.0L (Y) 307"		12146312	12001	12500
1985	5.7L (N) 350"		12146312	12001	12500
Regal					
1984-1981	4.1L (4) 252"		25036092	—	12500
1981	4.3L (S) 265"		8993298	—	12500
1981	4.3L (S) 265"		25036092	—	12500
1980	5.0L (H) 307"	Cal.	8993311	—	12500
1987-1986	5.0L (Y) 307"		25036979	12001	12500
1993-1992	5.7L (7) 350"		25036979	12001	12500
1985	5.7L (N) 350"		12146312	12001	12500

ENGINE COOLANT TEMPERATURE SENSORS

YEAR	ENGINE	FOOTNOTE	OE #	PART #	UNIV PART #
BUICK 8 CYL. (Cont'd)					
Riviera					
1984-1981	4.1L (4) 252"		25036092	—	12500
1986-1985	5.0L (Y) 307"		25036979	12001	12500
1984-1981	5.0L (Y) 307"		8993311	—	12500
1993-1992	5.7L (7) 350"		25036979	12001	12500
1985	5.7L (N) 350"		12146312	12001	12500
1980	5.7L (R) 350"		8993298	—	12500
Roadmaster					
1992	5.0L (E) 307"		25036979	12001	12500
1991	5.0L (E) 307"		25036979	12001	12500
1993-1992	5.7L (7) 350"		25036979	12001	12500
1996-1994	5.7L (P) 350"		25036979	12001	12500
Roadmaster Estate Wagon					
1992-1991	5.0L (E) 307"		25036979	12001	12500
1993-1992	5.7L (7) 350"		25036979	12001	12500
1996-1994	5.7L (P) 350"		25036979	12001	12500
BUICK TRUCK					
6 CYL. Rendezvous					
2004-2002	3.4L (E) 207"		12146312	12001	12500
CADILLAC					
4 CYL. Cimarron					
1982	1.8L (G) 111"		25036092	—	12500
1986-1985	2.0L (P) 121"		25036979	12001	12500
1984-1983	2.0L (P) 121"		10045847, 25036092	—	12500
6 CYL. Cimarron					
1988-1985	2.8L (W) 173"		25036979	12001	12500
DeVille					
1983-1981	4.1L (4) 252"		10045847, 25036092	—	12500
Eldorado					
1982-1981	4.1L (4) 252"		25036092	—	12500
Fleetwood					
1983-1982	4.1L (4) 252"		25036092	—	12500
Seville					
1982-1981	4.1L (4) 252"		25036092	—	12500
8 CYL. Allante					
1988-1987	4.1L (7) 252"		25036979	12001	12500
1992-1989	4.5L (8) 275"		25036979	12001	12500
1993	4.6L (9) 281"		25036979	12001	12500
Commercial Chassis					
1984-1980	6.0L (6) 368"		8993298	—	12500
1981-1980	6.0L (9) 368"		8993298	—	12500
Concours					
1999-1996	4.6L (9) 281"		12146312	12001	12500
1995-1994	4.6L (Y) 281"		12146312	12001	12500
DeVille					
1987-1985	4.1L (8) 252"		25036979	12001	12500
1984	4.1L (8) 252"		25036092	—	12500
1990	4.5L (3) 275"		25036979	12001	12500
1989-1988	4.5L (5) 275"		25036979	12001	12500
2000	4.6L (9) 281"		12146312	12001	12500
1998-1994	4.6L (9) 281"		25036979	12001	12500
2004-1994	4.6L (Y) 281"		25036979	12001	12500

ENGINE COOLANT TEMPERATURE SENSORS

YEAR	ENGINE	FOOTNOTE	OE #	PART #	UNIV PART #
CADILLAC 8 CYL. DeVille (Cont'd)					
1995-1991	4.9L (B) 300"		25036979	12001	12500
1981	6.0L (9) 368"		8993298	—	12500
1980	6.9L (6) 368"		8993298	—	12500
DeVile D'Elegance					
1997	4.6L (Y) 281"		12146312	12001	12500
DeVile DHS					
2004-2001	4.6L (Y) 281"		12146312	12001	12500
DeVile DTS					
2004-2001	4.6L (9) 281"		12146312	12001	12500
DeVile Touring					
1993-1991	4.9L (B) 300"		12146312	12001	12500
Eldorado					
1987-1985	4.1L (8) 252"		25036979	12001	12500
1984-1982	4.1L (8) 252"		10045847, 25036092	—	12500
1990	4.5L (3) 275"		25036979	12001	12500
1989-1988	4.5L (5) 275"		25036979	12001	12500
2000-1998	4.6L (9) 281"		25036979	12001	12500
2000-1994	4.6L (Y) 281"		25036979	12001	12500
1993-1991	4.9L (B) 300"		25036979	12001	12500
1981-1980	6.0L (9) 368"		8993298	—	12500
Eldorado ESC					
2002-2001	4.6L (Y) 281"		12146312	12001	12500
Eldorado ETC					
2002-2001	4.6L (9) 281"		12146312	12001	12500
1998	4.6L (9) 281"		12146312	12001	12500
Eldorado Sport					
1998	4.6L (Y) 281"		12146312	12001	12500
Eldorado Touring					
1997-1993	4.6L (9) 281"		12146312	12001	12500
Fleetwood					
1987-1985	4.1L (8) 252"		25036979	12001	12500
1984-1982	4.1L (8) 252"		10045847, 25036092	—	12500
1990	4.5L (3) 275"		25036979	12001	12500
1989-1988	4.5L (5) 275"		25036979	12001	12500
1993-1991	4.9L (B) 300"		25036979	12001	12500
1987	5.0L (9) 307"		25036979	12001	12500
1987-1986	5.0L (Y) 307"		25036979	12001	12500
1993	5.7L (7) 350"		12146312	12001	12500
1996-1993	5.7L (P) 350"		25036979	12001	12500
1984-1981	6.0L (9) 368"		10045847, 25036092	—	12500
Fleetwood Brougham					
1990-1987	5.0L (9) 307"		25036979	12001	12500
1992-1991	5.0L (E) 305"		10045847, 25036092	—	12500
1991-1986	5.0L (Y) 307"		25036979	12001	12500
1993-1990	5.7L (7) 350"		12146312	12001	12500
1985	5.7L (N) 350"		12146312	12001	12500
1996-1993	5.7L (P) 350"		25036979	12001	12500
Fleetwood Limousine					
1984-1980	6.0L (6) 368"		8993298	—	12500
1984-1981	6.0L (9) 368"		10045847, 25036092	—	12500
Seville					
1987-1985	4.1L (8) 252"		25036979	12001	12500
1984-1982	4.1L (8) 252"		10045847, 25036092	—	12500
1990	4.5L (3) 275"		25036979	12001	12500
1989-1988	4.5L (5) 275"		25036979	12001	12500

ENGINE COOLANT TEMPERATURE SENSORS

YEAR	ENGINE	FOOTNOTE	OE #	PART #	UNIV PART #
CADILLAC 8 CYL. Seville (Cont'd)					
2000-1998	4.6L (9) 281		12146312	12001	12500
2000-1998	4.6L (Y) 281		12146312	12001	12500
1995-1991	4.9L (B) 300"		25036979	12001	12500
1981-1980	6.0L (9) 368"		8993298	—	12500
Seville SLS					
2004-1994	4.6L (Y) 281"		25036979	12001	12500
Seville STS					
1990	4.5L (3) 273"		12146312	12001	12500
2003-1993	4.6L (9) 281"		25036979	12001	12500
1992-1991	4.9L (B) 300"		12146312	12001	12500
XLR					
2004	4.6L (A) 281"		12146312	12001	12500
CADILLAC TRUCK					
8 CYL. Escalade					
2004-2002	5.3L (T) 323"		15326388	12027	—
1999	5.7L (R) 350"		12146312	12001	12500
2004-2003	6.0L (N) 364	ESV	15326388	12027	—
2004-2002	6.0L (N) 364		15326388	12027	—
2004-2002	6.0L (N) 364	EXT	15326388	12027	—
SRX					
2004	4.6L (A) 281"		12146312	12001	12500
CHEVROLET					
3 CYL. Sprint					
1988-1987	1.0L (2) 61"	Turbo	96056758	12024	—
1988-1987	1.0L (6) 61"		96056758	12024	—
4 CYL. Beretta					
1989-1987	2.0L (1) 121"		75036979	12001	12500
1996-1994	2.2L (4) 134"		10096181	12062	—
1991-1990	2.2L (G) 134"		25036979	12001	12500
1994-1990	2.3L (A) 138"		25036979	12001	12500
Camaro					
1986-1985	2.5L (2) 151"		25036979	12001	12500
1984-1982	2.5L (2) 151"		25036092	—	12500
Cavalier					
1982	1.8L (G) 111"		10045847	—	12500
1989-1987	2.0L (1) 121"		75036979	12001	12500
1986-1985	2.0L (P) 121"		25036979	12001	12500
1984-1983	2.0L (P) 121"		25036092	—	12500
2002-1995	2.2L (4) 134"	2 Blade Terminal	12146312	12001	12500
2003-2002	2.2L (F) 135"		15369305	12027	—
1991-1990	2.2L (G) 134"		25036979	12001	12500
1995	2.3L (D) 140"		25036979, 12146312	12001	12500
2002-1996	2.4L (T) 146"		12146312	12001	12500
Celebrity					
1990-1985	2.5L (R) 151"		12146312	12001	12500
Chevette					
1981-1980	1.6L (9) 98"	Cal.	8993298	—	12500
1987-1985	1.6L (C) 98"		25036979	12001	12500
1984-1982	1.6L (C) 98"		10045847	—	12500
1980-1979	1.6L (O) 98"		8993298	—	12500

ENGINE COOLANT TEMPERATURE SENSORS

YEAR	ENGINE	FOOTNOTE	OE #	PART #	UNIV PART #
CHEVROLET 4 CYL. (Cont'd)					
Citation					
1981-1980	2.5L (5) 151"	Cal.	25036092	—	12500
1985	2.5L (R) 151"		25036979	12001	12500
1984-1982	2.5L (R) 151"		25036092	—	12500
Corsica					
1989-1987	2.0L (1) 121"		75036979	12001	12500
1996-1994	2.2L (4) 134"		10096181	12062	—
1991-1990	2.2L (G) 134"		25036979	12001	12500
1994-1990	2.3L (A) 138"		25036979	12001	12500
Lumina					
1992-1990	2.5L (R) 151"		25036979	12001	12500
Malibu					
2004	2.2L (F) 134"		15326388	12027	—
1999-1997	2.4L (T) 146"		12146312	12001	12500
Monza					
1979	2.5L (9) 151"	Cal.	25036092	—	12500
1980	2.5L (V) 151"		8993298	—	12500
1980	2.5L (V) 151"	Cal.	25036092	—	12500
6 CYL.					
Beretta					
1989-1987	2.8L (W) 173"		25036979	12001	12500
1995-1994	3.1L (M) 191"		25036979	12001	12500
1993-1990	3.1L (T) 191"		25036979	12001	12500
Camaro					
1984-1982	2.8L (1) 173"		25036092	—	12500
1989-1985	2.8L (S) 173"		25036979	12001	12500
1992-1990	3.1L (T) 191"		25036979	12001	12500
1995-1993	3.4L (S) 207"		25036979, 12146312	12001	12500
1981-1980	3.8L (A) 231"	Cal.	25036092	—	12500
2002-2000	3.8L (K) 231"		12146312	12001	12500
1997-1996	3.8L (K) 231"		10096181	12062	—
1981	3.8L (K) 229"		25036092	—	12500
Caprice					
1984-1983	3.8L (9) 231"		10045847, 25036092	—	12500
1984-1980	3.8L (A) 231"		25036092	—	12500
1982-1981	3.8L (K) 229"		8993311	—	12500
1993-1985	4.3L (Z) 262"		25036708, 25036979	12001	12500
Cavalier					
1989-1985	2.8L (W) 173"		25036979	12001	12500
1994-1990	3.1L (T) 191"		25036979	12001	12500
Celebrity					
1989-1985	2.8L (W) 173"		25036979	12001	12500
1986-1985	2.8L (X) 173"		25036979	12001	12500
1984-1982	2.8L (X) 173"		25036092	—	12500
1990	3.1L (T) 191"		25036979	12001	12500
1985	4.3L (T) 260"		12146312	12001	12500
Citation					
1980-1979	2.8L (7) 173"		8993298	—	12500
1985	2.8L (W) 173"		12146312	12001	12500
1985	2.8L (X) 173"		25036979	12001	12500
1984-1981	2.8L (X) 173"		25036092	—	12500
1984-1981	2.8L (Z) 173"		25036092	—	12500
1979	3.8L (A) 231"		25036092	—	12500

ENGINE COOLANT TEMPERATURE SENSORS

YEAR	ENGINE	FOOTNOTE	OE #	PART #	UNIV PART #
CHEVROLET 6 CYL. (Cont'd)					
Corsica					
1989-1987	2.8L (W) 173"		25036979	12001	12500
1995-1994	3.1L (M) 191"		25036979	12001	12500
1993-1990	3.1L (T) 191"		25036979	12001	12500
Impala					
2004-2000	3.4L (E) 207"		12146312	12001	12500
1984-1983	3.8L (9) 231"		10045847, 25036092	—	12500
1984-1980	3.8L (A) 231"		25036092	—	12500
1984-1979	3.8L (A) 231"		8993298	—	12500
2004-2000	3.8L (K) 231"		12146312, 15326386	12001	12500
1982-1981	3.8L (K) 229"		8993311	—	12500
1985	4.3L (Z) 262"		25036979	12001	12500
Lumina					
2001-2000	3.1L (J) 191"		10096181	12062	—
1999-1996	3.1L (M) 191"		10096181	12062	—
1995	3.1L (M) 191"		25036979, 12146312	12001	12500
1994-1990	3.1L (T) 191"		25036979	12001	12500
1993	3.1L (W) 191"		25036979	12001	12500
2000	3.4L (E) 207"		12146312	12001	12500
1997-1991	3.4L (X) 207"		25036979, 12146312	12001	12500
2000	3.8L (K) 231"		12146312	12001	12500
Malibu					
2003-1999	3.1L (J) 191"		12146312	12001	12500
1999-1997	3.1L (M) 189"		12146312	12001	12500
2004	3.5L (8) 211"		15326388	12027	—
1980	3.8L (3) 231"		25036092	—	12500
1984-1983	3.8L (9) 231"		10045847, 25036092	—	12500
1984-1979	3.8L (A) 231"		8993298	—	12500
1982-1981	3.8L (K) 229"		8993311	—	12500
Monte Carlo					
1999-1996	3.1L (M) 191"		10096181	12062	—
1995	3.1L (M) 191"		25036979, 12146312	12001	12500
2004-2000	3.4L (E) 207"	LS Models	12146312	12001	—
1997-1991	3.4L (X) 207"		25036979, 12146312	12001	12500
2004	3.8L (1) 231"	SS Models	12146312	12001	12500
1981-1980	3.8L (3) 231"		25036092	—	12500
1984-1983	3.8L (9) 231"		10045847, 25036092	—	12500
1984-1979	3.8L (A) 231"		8993298	—	12500
2004-2000	3.8L (K) 231"	SS Models	12146312	12001	—
1999-1998	3.8L (K) 231"		10096181	12062	—
1982-1981	3.8L (K) 229"		8993311	—	12500
Monza					
1988-1985	4.3L (Z) 262"		25036979	12001	12500
1980-1979	3.8L (A) 231"		25036092	—	12500
8 CYL.					
Camaro					
1981	4.4L (J) 267"		25036092	—	12500
1982	5.0L (7) 305"		25036092	—	12500
1992-1988	5.0L (E) 305"		25036979	12001	12500
1992-1985	5.0L (F) 305"		25036979	12001	12500
1987-1984	5.0L (G) 305"		25036979	12001	12500
1984	5.0L (G) 305"		25036708, 25036979	12001	12500
1987-1985	5.0L (H) 305"		25036979	12001	12500
1984-1980	5.0L (H) 305"		8993311	—	12500
1983	5.0L (S) 305"		25036092	—	12500

ENGINE COOLANT TEMPERATURE SENSORS

YEAR	ENGINE	FOOTNOTE	OE #	PART #	UNIV PART #
CHEVROLET 8 CYL. Camaro (Cont'd)					
1992-1987	5.7L (8) 350"		25036979	12001	12500
2002-2001	5.7L (G) 350"	LS1	15326388	12027	—
2000-1999	5.7L (G) 350"	LS1	15369305	12027	—
1981	5.7L (L) 350"		25036092	—	12500
1997-1993	5.7L (P) 350"	LT1	25036979, 12146312	12001	12500
Caprice					
1996-1994	4.3L (W) 265"		25036979	12001	12500
1982-1981	4.4L (J) 267"		25036092	—	12500
1993-1989	5.0L (E) 305"		25036979	12001	12500
1979	5.0L (G) 305"	Cal.	10045847, 25036092	—	12500
1988-1985	5.0L (H) 305"		25036979	12001	12500
1984-1980	5.0L (H) 305"		8993311	—	12500
1990-1986	5.0L (Y) 307"		25036979	12001	12500
1993-1989	5.7L (7) 350"		25036979	12001	12500
1985	5.7L (N) 350"		12146312	12001	12500
1996-1994	5.7L (P) 350"		25036979	12001	12500
Caprice Wagon					
1993-1989	5.7L (7) 350"		25036979	12001	12500
1996-1994	5.7L (P) 350"		25036979	12001	12500
Corvette					
1980	5.0L (H) 305"		8993311	—	12500
1996	5.7L (5) 350"		12146312	12001	12500
1981	5.7L (6) 350"		25036092	—	12500
1991-1985	5.7L (8) 350"		25036979	12001	12500
1984-1979	5.7L (8) 350"		25036092	—	12500
2004-2001	5.7L (G) 350"	LS1	15326388	12027	—
2000-1999	5.7L (G) 350"	LS1	15369305	12027	—
1998-1997	5.7L (G) 350"	LS1	25037062	12027	—
1995-1990	5.7L (J) 350"	LT5	25036979	12001	12500
1996-1992	5.7L (P) 350"	LT1	25036979	12001	12500
2004-2001	5.7L (S) 350"	LS6	15326388	12027	—
Impala					
2004	3.8L (1) 231"		12146312	12001	12500
2004-2000	3.8L (K) 231"		12146312	12001	12500
1982-1981	4.4L (J) 267"		25036092	—	12500
1979	5.0L (G) 305"	Cal.	10045847, 25036092	—	12500
1985	5.0L (H) 305"		25036979	12001	12500
1984-1980	5.0L (H) 305"		8993311	—	12500
1985	5.7L (N) 350"		12146312	12001	12500
Impala SS					
1996-1994	5.7L (P) 350"	LT1	25036979	12001	12500
Malibu					
1981	4.3L (S) 265"		25036092	—	12500
1981	4.4L (J) 267"		25036092	—	12500
1984	5.0L (G) 305"		25036708, 25036979	12001	12500
1984-1980	5.0L (H) 305"		8993311	—	12500
1979	5.0L (H) 305"		25036092	—	12500
Monte Carlo					
1981	4.3L (S) 265"		25036092	—	12500
1981	4.4L (J) 267"		25036092	—	12500
1988-1985	5.0L (G) 305"		25036979	12001	12500
1984	5.0L (G) 305"		25036708, 25036979	12001	12500
1988-1985	5.0L (H) 305"		25036979	12001	12500
1984-1980	5.0L (H) 305"		8993311	—	12500
1979	5.0L (H) 305"		25036092	—	12500

ENGINE COOLANT TEMPERATURE SENSORS

YEAR	ENGINE	FOOTNOTE	OE #	PART #	UNIV PART #
CHEVROLET 8 CYL. (Cont'd)					
Monza					
1979	5.0L (G) 305"	Cal.	10045847, 25036092	—	12500
Nova					
1979	5.0L (G) 305"	Cal.	10045847, 25036092	—	12500
CHEVROLET TRUCK					
4 CYL.					
Astro					
1990-1985	2.5L (E) 151"		25036979	12001	12500
LLV Postal Vehicle					
1993-1991	2.5L (A) 151"		12146312	12001	12500
1991-1987	2.5L (E) 151"		12146312	12001	12500
M Series					
1990-1987	2.5L (E) 151"		25036979	12001	12500
P30					
1991	3.9L (L) 239"		12146312	12001	12500
S10 Blazer					
2000-1998	2.2L (4) 135"		12146312	12001	12500
1997-1994	2.2L (4) 135"	3 Blade	10096181	12062	—
1988-1985	2.5L (E) 151"		12146312	12001	12500
S10 Pickup					
1985-1984	1.9L (A) 119"		25636092	—	12500
2000-1998	2.2L (4) 135"		12146312	12001	12500
1997-1994	2.2L (4) 135"	3 Blade	10096181	12062	—
2002-2000	2.2L (5) 134"		12146312	12001	12500
2003	2.2L (4) 135"		12146312	12001	12500
1985	2.2L (S) 134"		12146312	12001	12500
1993-1991	2.5L (A) 151"		25036979	12001	12500
1991-1985	2.5L (E) 151"		25036979	12001	12500
T10 Blazer					
1993-1991	2.5L (A) 151"		25036979	12001	12500
1991-1985	2.5L (E) 151"		25036979	12001	12500
T10 Pickup					
1984	1.9L (A) 119"	Cal.	25036979	—	12500
1993-1991	2.5L (A) 151"		25036979	12001	12500
1991-1985	2.5L (E) 151"		25036979	12001	12500
Tracker					
1998	1.6L (6) 97"		96068627	12032	—
Z1 Post Office Vehicle					
1995-1994	2.2L (4) 135"	LLV, 3 Blade	10096181	12062	—
1993-1991	2.5L (A) 151"	LLV	25036979	12001	12500
1991-1987	2.5L (E) 151"	LLV	25036979	12001	12500
6 CYL.					
Astro					
1991-1990	4.3L (B) 262"		25036979	12001	12500
1986-1985	4.3L (N) 262"		25036979	12001	12500
2001-1992	4.3L (W) 262"		12146312, 25036979	12001	12500
2004-2002	4.3L (X) 262"		12146312, 25036979	12001	12500
1994-1986	4.3L (Z) 262"		25036979	12001	12500
Blazer					
2002-1995	4.3L (W) 262"		12146312	12001	12500
2004-2003	4.3L (X) 262"		12146312	12001	12500
C10					
1984	4.1L (D) 250"	Cal.	25036092	—	12500
1986-1985	4.3L (N) 262"		12146312	12001	12500
2002-1996	4.3L (W) 262"		12146312	12001	12500
1998-1996	4.3L (W) 262"		12146312, 25036979	12001	12500

ENGINE COOLANT TEMPERATURE SENSORS

YEAR	ENGINE	FOOTNOTE	OE #	PART #	UNIV PART #
CHEVROLET TRUCK 6 CYL. C10 (Cont'd)					
2004-2002	4.3L (X) 262"		12146312	12001	12500
1995-1987	4.3L (Z) 262"		25036979	12001	12500
C20					
1984	4.1L (D) 250"	Cal.	25036092	—	12500
1986-1985	4.3L (N) 262"		12146312	12001	12500
1998-1996	4.3L (W) 262"		12146312, 25036979	12001	12500
1995-1987	4.3L (Z) 262"		25036979	12001	12500
C30					
1984	4.1L (D) 250"	Cal.	25036092	—	12500
El Camino					
1979	3.8L (2) 231"	Cal.	8993311	—	12500
1981	3.8L (3) 231"		10045847, 25036092	—	12500
1984	3.8L (9) 229"		10045847, 25036092	—	12500
1984-1981	3.8L (A) 231"		10045847, 25036092	—	12500
1980-1979	3.8L (A) 231"	Cal.	8993298	—	12500
1982-1981	3.8L (K) 229"		10045847, 25036092	—	12500
1987-1985	4.3L (Z) 262"		25036979	12001	12500
Express 1500					
2002-1996	4.3L (W) 262"		12146312	12001	12500
2004-2003	4.3L (X) 262"		12146312	12001	12500
Express 2500					
2002-1996	4.3L (W) 262"		12146312	12001	12500
2004-2003	4.3L (X) 262"		12146312	12001	12500
G10					
1984	4.1L (D) 250"	Cal.	25036092	—	12500
1986-1985	4.3L (N) 262"	Cal.	25036979	12001	12500
2002-1996	4.3L (W) 262"		12146312, 25036979	12001	12500
2004-2003	4.3L (X) 262"		12146312	12001	12500
1995-1987	4.3L (Z) 262"		12146312	12001	12500
G20					
1984	4.1L (D) 250"	Cal.	25036092	—	12500
1986-1985	4.3L (N) 262"	Cal.	25036979	12001	12500
2002-1996	4.3L (W) 262"		12146312, 25036979	12001	12500
2002-1996	4.3L (W) 262"		12146312	12001	12500
2004-2003	4.3L (X) 262"		12146312	12001	12500
1995-1987	4.3L (Z) 262"		12146312	12001	12500
G30					
1984	4.1L (D) 250"	Cal.	25036092	—	12500
1986-1985	4.3L (N) 262"	Cal.	25036979	12001	12500
2002-1996	4.3L (W) 262"		12146312, 25036979	12001	12500
1996-1987	4.3L (Z) 262"		12146312	12001	12500
K10					
1984	4.1L (D) 250"	Cal.	25036092	—	12500
1986-1985	4.3L (N) 262"	Cal.	25036979	12001	12500
2002-1996	4.3L (W) 262"		12146312	12001	12500
1998-1996	4.3L (W) 262"		12146312, 25036979	12001	12500
2004-2002	4.3L (X) 262"		12146312	12001	12500
1995-1988	4.3L (Z) 262"		25036979	12001	12500
K20					
1984	4.1L (D) 250"	Cal.	25036092	—	12500
1986-1985	4.3L (N) 262"	Cal.	25036979	12001	12500
1995-1988	4.3L (Z) 262"		25036979	12001	12500
K30					
1984	4.1L (D) 250"	Cal.	25036092	—	12500
1986-1985	4.3L (N) 262"	Cal.	25036979	12001	12500

ENGINE COOLANT TEMPERATURE SENSORS

YEAR	ENGINE	FOOTNOTE	OE #	PART #	UNIV PART #
CHEVROLET TRUCK 6 CYL. (Cont'd)					
L Series					
1991	4.3L (B) 262"		25036979	12001	12500
1986-1985	4.3L (N) 262"	Cal.	25036979	12001	12500
2001-1992	4.3L (W) 262"		12146312, 25036979	12001	12500
2003-2002	4.3L (X) 262"		12146312	12001	12500
Lumina APV					
1995-1990	3.1L (D) 191"		25036979	12001	12500
1996	3.4L (E) 207"	3 Blade	10096181	12062	—
1995-1992	3.8L (L) 231"		25036979	12001	12500
M Series					
1986-1985	4.3L (N) 262"	Cal.	25036979	12001	12500
1995-1987	4.3L (Z) 262"		25036979	12001	12500
P30					
1999-1996	4.3L (W) 262"		12146312	12001	12500
1995-1990	4.3L (Z) 262"		12146312	12001	12500
P40 Van					
1993-1992	4.3L (Z) 262"		25036979	12001	12500
R10 Pickup					
1987	4.3L (Z) 262"		12146312	12001	12500
R20 Pickup					
1987	4.3L (Z) 262"		12146312	12001	12500
1988-1987	4.8L (T) 262"		12146312	12001	12500
S10 Blazer					
1985	2.8L (B) 173"		12146312	12001	12500
1990-1986	2.8L (R) 173"		12146312	12001	12500
2002-1995	4.3L (W) 262"		12146312	12001	12500
2002-1992	4.3L (W) 262"		12146312, 25036979	12001	12500
2004-2003	4.3L (X) 262"		12146312	12001	12500
1994-1988	4.3L (Z) 262"		12146312	12001	12500
S10 Pickup					
1985	2.8L (B) 173"	Cal.	25036979	12001	12500
1984-1982	2.8L (B) 173"	Cal.	25636092	—	12500
1993-1986	2.8L (R) 173"		25036979	12001	12500
2002-1985	4.3L (W) 262"		12146312, 25036979	12001	12500
2004-1996	4.3L (X) 262"		12146312, 25036979	12001	12500
1995-1988	4.3L (Z) 262"		25036979	12001	12500
Silverado 1500					
2002-1996	4.3L (W) 262"		12146312	12001	12500
2004-2002	4.3L (X) 262"		12146312	12001	12500
T10 Blazer					
1985	2.8L (B) 173"	Cal.	25036979	12001	12500
1984-1982	2.8L (B) 173"	Cal.	25636092	—	12500
1993-1986	2.8L (R) 173"		25036979	12001	12500
1999-1985	4.3L (W) 262"		12146312, 25036979	12001	12500
1999-1985	4.3L (W) 262"		12146312, 25036979	12001	12500
1996	4.3L (X) 262"		12146312, 25036979	12001	12500
1995-1989	4.3L (Z) 262"		25036979	12001	12500
T10 Pickup					
1985	2.8L (B) 173"	Cal.	25036979	12001	12500
1984-1982	2.8L (B) 173"	Cal.	25636092	—	12500
1993-1986	2.8L (R) 173"		25036979	12001	12500
1999-1985	4.3L (W) 262"		12146312, 25036979	12001	12500
1999-1985	4.3L (W) 262"		12146312, 25036979	12001	12500
1996	4.3L (X) 262"		12146312, 25036979	12001	12500
1995-1989	4.3L (Z) 262"		25036979	12001	12500

ENGINE COOLANT TEMPERATURE SENSORS

YEAR	ENGINE	FOOTNOTE	OE #	PART #	UNIV PART #
CHEVROLET TRUCK 6 CYL. (Cont'd)					
Trailblazer					
2004-2002	4.2L (5) 256"		12564512	12067	—
2001-1999	4.3L (W) 262"		12146312	12001	12500
V10 Pickup					
1987	4.3L (Z) 262"		12146312	12001	12500
Venture					
2003-2000	3.4L (E) 207"		12146312	12001	12500
1999-1997	3.4L (E) 207"	3 Blade	10096181	12062	—
8 CYL. Avalanche 1500					
2004-2003	5.3L (P) 323"		15326388	12027	—
2004-2002	5.3L (T) 323"		15326388	12027	—
2004-2003	5.3L (Z) 323"		15326388	12027	—
Blazer					
1987	5.0L (H) 305"		12146312	12001	12500
1994-1987	5.7L (K) 350"		25036979	12001	12500
1991-1987	5.7L (L) 350"		12146312	12001	12500
1986-1985	5.7L (L) 350"		12146312	12001	12500
1994	6.5L (S) 395"		12146312	12001	12500
C10					
1986-1985	5.0L (F) 305"		25036979	12001	12500
1984-1983	5.0L (F) 305"		25036092	—	12500
1995-1987	5.0L (H) 305"		25036979	12001	12500
1998-1996	5.0L (M) 305"		12146312, 25036979	12001	12500
1999-1987	5.7L (K) 350"		12146312, 25036979	12001	12500
1986-1985	5.7L (L) 350"	Cal.	25036979	12001	12500
1984-1983	5.7L (L) 350"	Cal.	25036092	—	12500
1999-1996	5.7L (R) 350"		25036979	12001	12500
1993-1988	6.2L (C) 381"	Diesel,Glow Plug Control	25036979	12001	12500
1998-1993	6.5L (F) 395"	Diesel	12146312, 25036979	12001	12500
1995-1994	6.5L (P) 395"	Diesel	25036979	12001	12500
1998-1994	6.5L (S) 395"	Diesel	12146312	12001	12500
1995-1994	6.5L (Y) 395"	Diesel	25036979	12001	12500
1995-1988	7.4L (N) 454"		25036979	12001	12500
C20					
1986-1985	5.0L (F) 305"		25036979	12001	12500
1984-1983	5.0L (F) 305"		25036092	—	12500
1995-1987	5.0L (H) 305"		25036979	12001	12500
1999-1996	5.0L (M) 305"		12146312	12001	12500
1999-1987	5.7L (K) 350"		12146312, 25036979	12001	12500
1986-1985	5.7L (L) 350"	Cal.	25036979	12001	12500
1984-1983	5.7L (L) 350"	Cal.	25036092	—	12500
2000-1996	5.7L (R) 350"		12146312	12001	12500
1993-1988	6.2L (C) 381"	Diesel,Glow Plug Control	25036979	12001	12500
2000-1993	6.5L (F) 395"		12146312	12001	12500
1995-1994	6.5L (P) 395"	Diesel	25036979	12001	12500
1998-1994	6.5L (S) 395"		12146312	12001	12500
1995-1994	6.5L (Y) 395"	Diesel	25036979	12001	12500
2000-1996	7.4L (J) 454"		12146312	12001	12500
1995-1988	7.4L (N) 454"		25036979	12001	12500
C30					
1986-1985	5.0L (F) 305"		25036979	12001	12500
1984-1983	5.0L (F) 305"		25036092	—	12500
1995-1988	5.7L (K) 350"		12146312	12001	12500
1984-1983	5.7L (L) 350"	Cal.	25036092	—	12500

ENGINE COOLANT TEMPERATURE SENSORS

YEAR	ENGINE	FOOTNOTE	OE #	PART #	UNIV PART #
CHEVROLET TRUCK 8 CYL. C30 (Cont'd)					
2000-1996	5.7L (R) 350"		12146312	12001	12500
2002-2001	6.5L (F) 395"	HD Chassis Cab	12146312	12001	12500
2000-1993	6.5L (F) 395"		12146312	12001	12500
1998-1997	6.5L (S) 395"		12146312	12001	12500
2000-1996	7.4L (J) 454"		12146312	12001	12500
1995-1988	7.4L (N) 454"		12146312	12001	12500
C310					
2002-2001	6.5L (F) 395"		12146312	12001	12500
C314					
2002-2001	6.5L (F) 395"		12146312	12001	12500
C318					
2002-2001	6.5L (F) 395"		12146312	12001	12500
El Camino					
1982-1981	4.4L (J) 267"		25036092	—	12500
1984	5.0L (G) 305"		25036092	—	12500
1987-1985	5.0L (H) 305"		25036979	12001	12500
1984-1980	5.0L (H) 305"		25036092	—	12500
1981	5.7L (L) 350"		25036092	—	12500
Express 1500					
2002-1996	5.0L (M) 305"		12146312	12001	12500
2002-1996	5.7L (R) 350"		12146312	12001	12500
Express 2500					
2002-1996	5.0L (M) 305"		12146312	12001	12500
2002-1996	5.7L (R) 350"		12146312	12001	12500
2002-1996	6.5L (F) 395"	w/OE #	12146312	12001	12500
2002-1996	6.5L (F) 395"	w/OE #	25037332	12061	—
Express 3500					
2002-1996	5.7L (R) 350"		12146312	12001	12500
2002-1999	6.5L (F) 395"	w/OE #	25037332	12061	—
2002-1996	6.5L (F) 395"	w/OE #	12146312	12001	12500
2002-1996	7.4L (J) 454"		12146312	12001	12500
2002-2001	8.1L (G) 496"		12146312	12001	12500
G10					
1984-1983	5.0L (F) 305"		25036092	—	12500
2002-1996	5.0L (M) 305"		12146312	12001	12500
1999-1987	5.7L (K) 350"		12146312, 25036979	12001	12500
1986-1985	5.7L (L) 350"	Cal.	25036979	12001	12500
1984-1983	5.7L (L) 350"	Cal.	25036092	—	12500
2002-1996	5.7L (R) 350"		25036979	12001	12500
G20					
1985	5.0L (F) 305"		12146312	12001	12500
1984-1983	5.0L (F) 305"		25036092	—	12500
1996-1987	5.0L (H) 305"		12146312	12001	12500
2002-1996	5.0L (M) 305"		12146312	12001	12500
1999-1987	5.7L (K) 350"		12146312, 25036979	12001	12500
1986-1985	5.7L (L) 350"	Cal.	25036979	12001	12500
1984-1983	5.7L (L) 350"	Cal.	25036092	—	12500
2002-1996	5.7L (R) 350"		25036979	12001	12500
1993-1988	6.2L (C) 381"	Diesel, Glow Plug Control	25036979	12001	12500
2002-1996	6.5L (F) 395"	w/OE #	12146312	12001	12500
1995-1994	6.5L (P) 395"	Diesel	25036979	12001	12500

ENGINE COOLANT TEMPERATURE SENSORS

YEAR	ENGINE	FOOTNOTE	OE #	PART #	UNIV PART #
CHEVROLET TRUCK 8 CYL. (Cont'd)					
G30					
1984-1983	5.0L (F) 305"		25036092	—	12500
1995-1992	5.0L (H) 305"		12146312	12001	12500
1996-1997	5.7L (K) 350"		12146312	12001	12500
1996	5.7L (K) 305"		12146312	12001	12500
1986-1985	5.7L (L) 350"	Cal.	25036979	12001	12500
1984-1983	5.7L (L) 350"	Cal.	25036092	—	12500
2002-1996	5.7L (R) 350"		12146312	12001	12500
2002-1996	6.5L (F) 395"	w/OE #	12146312	12001	12500
1995-1994	6.5L (Y) 395"		12146312	12001	12500
2000-1988	7.4L (J) 454"		12146312	12001	—
2000-1988	7.4L (N) 454"		12146312	12001	12500
2002-2001	8.1L (G) 496"		12146312	12001	12500
K10					
1986-1985	5.0L (F) 305"		25036979	12001	12500
1984-1983	5.0L (F) 305"		25036092	—	12500
1995-1987	5.0L (H) 305"		25036979	12001	12500
1998-1996	5.0L (M) 305"		12146312, 25036979	12001	12500
1999-1987	5.7L (K) 350"		12146312, 25036979	12001	12500
1986-1985	5.7L (L) 350"	Cal.	25036979	12001	12500
1984-1983	5.7L (L) 350"	Cal.	25036092	—	12500
1999-1996	5.7L (R) 350"		25036979	12001	12500
1993-1988	6.2L (C) 381"	Diesel,Glow Plug Control	25036979	12001	12500
1998-1993	6.5L (F) 395"	Diesel	12146312, 25036979	12001	12500
1995-1994	6.5L (P) 395"	Diesel	25036979	12001	12500
1998-1994	6.5L (S) 395"	Diesel	12146312	12001	12500
K20					
1984-1983	5.0L (F) 305"		25036092	—	12500
1995-1987	5.0L (H) 305"		25036979	12001	12500
1998-1996	5.0L (M) 305"		12146312	12001	12500
1999-1987	5.7L (K) 350"		12146312, 25036979	12001	12500
1986-1985	5.7L (L) 350"	Cal.	25036979	12001	12500
1984-1983	5.7L (L) 350"	Cal.	25036092	—	12500
2000-1996	5.7L (R) 350"		12146312	12001	12500
1993-1988	6.2L (C) 381"	Diesel,Glow Plug Control	25036979	12001	12500
2000-1993	6.5L (F) 395"		12146312	12001	12500
1995-1994	6.5L (P) 395"	Diesel	25036979	12001	12500
1998-1994	6.5L (S) 395"		12146312	12001	12500
2000-1996	7.4L (J) 454"		12146312	12001	12500
1995-1988	7.4L (N) 454"		25036979	12001	12500
K30					
1984-1983	5.0L (F) 305"		25036092	—	12500
1999-1987	5.7L (K) 350"		12146312, 25036979	12001	12500
1986-1985	5.7L (L) 350"	Cal.	25036979	12001	12500
1984-1983	5.7L (L) 350"	Cal.	25036092	—	12500
2000-1996	5.7L (R) 350"		12146312	12001	12500
2000-1993	6.5L (F) 395"		12146312	12001	12500
1998-1997	6.5L (S) 395"		12146312	12001	12500
2000-1996	7.4L (J) 454"		12146312	12001	12500
1995-1988	7.4L (N) 454"		25036979	12001	12500
Kodiak					
1990-1989	6.0L (P) 366"		12146312	12001	12500
2004-2003	6.6L (1) 403"		12146312	12001	12500
2004	6.6L (2) 403"		12146312	12001	12500
1998-1990	7.0L (M) 427"		12146312	12001	12500

ENGINE COOLANT TEMPERATURE SENSORS

YEAR	ENGINE	FOOTNOTE	OE #	PART #	UNIV PART #
CHEVROLET TRUCK 8 CYL. (Cont'd)					
Medium Duty Truck					
1995-1993	5.7L (K) 350"	MD ISUZU Truck Tiltmast	12146312	12001	12500
2002-1998	5.7L (R) 350"	MD ISUZU Truck Forward	12146312	12001	12500
1997-1996	5.7L (R) 350"	MD ISUZU Truck Tiltmast	12146312	12001	12500
1998-1997	6.5L (F) 395"	MD BUS CHASSIS	12146312	12001	12500
P10					
1984	5.7L (L) 350"	Cal.	25036092	—	12500
P20					
1989-1987	5.7L (K) 350"		25036979	12001	12500
1984	5.7L (L) 350"	Cal.	25036092	—	12500
P30					
1996-1987	5.7L (K) 350"		25036979	12001	12500
1984	5.7L (L) 350"	Cal.	25036092	—	12500
1999-1996	5.7L (R) 350"		12146312	12001	12500
1993-1991	6.2L (J) 379"		12146312	12001	12500
1999-1993	6.5L (F) 395"	Diesel	12146312, 25036979	12001	12500
1999-1994	6.5L (Y) 395"	Diesel	25036979	12001	12500
1999-1998	7.4L (B) 454"		12146312	12001	12500
1999-1996	7.4L (J) 454"		12146312	12001	12500
1997-1987	7.4L (N) 454"		25036979	12001	12500
P32 Motor Home					
1998-1997	7.4L (J) 454"		12146312	12001	12500
P42 Commercial Chassis					
1998-1997	7.4L (J) 454"		12146312	12001	12500
R10 Pickup					
1987	5.0L (H) 305"		12146312	12001	12500
1991-1987	5.7L (K) 350"		25036979	12001	12500
1990-1988	6.2L (C) 381"	Diesel, Glow Plug Control	25036979	12001	12500
1991-1987	7.4L (N) 454"		25036979	12001	12500
R10 Suburban					
1987	5.0L (H) 305"		12146312	12001	12500
1988-1987	5.7L (K) 350"		12146312	12001	12500
1988-1987	6.2L (C) 379"		12146312	12001	12500
R1500 Suburban					
1991-1989	5.7L (K) 350"		12146312	12001	12500
1991-1989	6.2L (C) 379"		12146312	12001	12500
R20 Pickup					
1987	5.0L (H) 305"		12146312	12001	12500
1988-1987	5.7L (K) 350"		12146312	12001	12500
1987	6.2L (C) 379"		12146312	12001	12500
1988-1987	6.2L (J) 379"		12146312	12001	12500
1988-1987	7.4L (N) 454"		12146312	12001	12500
R20 Suburban					
1988-1987	5.7L (K) 350"		12146312	12001	12500
1988-1987	6.2L (J) 379"		12146312	12001	12500
1988-1987	7.4L (N) 454"		12146312	12001	12500
R2500 Pickup					
1989	5.7L (K) 350"		12146312	12001	12500
1989	6.2L (J) 379"		12146312	12001	12500
1989	7.4L (N) 454"		12146312	12001	12500
R2500 Suburban					
1991-1989	5.7L (K) 350"		12146312	12001	12500
1991-1989	6.2L (J) 379"		12146312	12001	12500
1991-1989	7.4L (N) 454"		12146312	12001	12500

ENGINE COOLANT TEMPERATURE SENSORS

YEAR	ENGINE	FOOTNOTE	OE #	PART #	UNIV PART #
CHEVROLET TRUCK 8 CYL. (Cont'd)					
R30 Pickup					
1988-1987	4.8L (T) 262		12146312	12001	12500
1988-1987	5.7L (K) 350"		12146312	12001	12500
1988-1987	5.7L (M) 350"		12146312	12001	12500
1988-1987	6.2L (J) 379"		12146312	12001	12500
1988-1987	7.4L (N) 454"		12146312	12001	12500
1988-1987	7.4L (W) 454"		12146312	12001	12500
R3500 Pickup					
1991-1989	5.7L (K) 350"		12146312	12001	12500
1991-1989	6.2L (J) 379"		12146312	12001	12500
1991-1989	7.4L (N) 454"		12146312	12001	12500
1989	7.4L (W) 454"		12146312	12001	12500
School Bus					
1990-1989	6.0L (B) 366"		12146312	12001	12500
Silverado 1500					
2004-1999	4.8L (V) 294"		15326388	12027	—
1998-1996	5.0L (M) 305"		15326386	12001	12500
2004-1999	5.3L (T) 323"		15326388	12027	—
2004-2002	5.3L (Z) 323"		15326388	12027	—
1998-1996	5.7L (R) 350"		15326386	12001	12500
2003-2001	6.0L (U) 364"	SS Models	15326388	12027	—
2003-2001	6.0L (U) 364"	HD	15326388	12027	—
1998-1994	6.5L (F) 395"		15326386	12001	12500
1998-1994	6.5L (S) 395"		15326386	12001	12500
Silverado 2500					
1997-1996	5.0L (M) 305"		15326386	12001	12500
2003-1999	5.3L (T) 323"		15326388	12027	—
2004-2002	5.3L (Z) 323"		15326388	12027	—
1998-1996	5.7L (R) 350"		15326386	12001	12500
2004-1999	6.0L (U) 364"		15326388	12027	—
1998-1994	6.5L (F) 395"		15326386	12001	12500
1998-1994	6.5L (S) 395"		15326386	12001	12500
2004-2001	6.6L (1) 400"	HD	12146312	12001	12500
2004-2001	6.6L (1) 400"		15326386	12001	12500
2002-2001	6.6L (1) 400"		12146312	12001	12500
1998-1994	7.4L (J) 454"		15326386	12001	12500
Silverado 3500					
2004-2001	6.0L (U) 364"		15326388	12027	—
2004-2001	6.6L (1) 400"		15326386	12001	12500
SSR					
2004	5.3L 323"		15326388	12027	—
Suburban					
1986-1985	5.7L (L) 350"		12146312	12001	12500
1999-1996	5.7L (R) 350"		25036979	12001	12500
1998	6.5L (S) 395"		12146312	12001	12500
1998-1996	7.4L (J) 454"		12146312	12001	12500
Suburban 1500					
1995-1992	5.7L (K) 350"		12146312	12001	12500
1986-1985	5.7L (L) 350"		12146312	12001	12500
1999-1996	5.7L (R) 350"		12146312	12001	12500
1999-1994	6.5L (F) 395"		12146312	12001	12500
Suburban 2500					
1995-1992	5.7L (K) 350"		12146312	12001	12500
1986-1985	5.7L (L) 350"		12146312	12001	12500
1999-1996	5.7L (R) 350"		12146312	12001	12500

ENGINE COOLANT TEMPERATURE SENSORS

YEAR	ENGINE	FOOTNOTE	OE #	PART #	UNIV PART #
CHEVROLET TRUCK 8 CYL. Suburban 2500 (Cont'd)					
1993-1992	6.2L (C) 379"		12146312	12001	12500
1999-1994	6.5L (F) 395"		12146312	12001	12500
1999-1996	7.4L (J) 454"		12146312	12001	12500
1995-1992	7.4L (N) 454"		12146312	12001	12500
Tahoe					
2004-2000	4.8L (V) 294"		15326388	12027	—
2004-2000	5.3L (T) 323"		15326388	12027	—
2004-2000	5.3L (Z) 323"		15326388	12027	—
1998-1995	5.7L (K) 350"		12146312, 25036979	12001	12500
2000-1996	5.7L (R) 350"		25036979	12001	12500
1999-1995	6.5L (S) 395"		12146312	12001	12500
V10 Pickup					
1987	5.0L (H) 305"		12146312	12001	12500
1987	5.7L (K) 350"		12146312	12001	12500
1987	6.2L (C) 379"		12146312	12001	12500
V10 Suburban					
1988-1987	5.7L (K) 350"		12146312	12001	12500
1988-1987	6.2L (C) 379"		12146312	12001	12500
V1500 Suburban					
1991-1989	5.7L (K) 350"		12146312	12001	12500
1991-1989	6.2L (C) 379"		12146312	12001	12500
V20 Pickup					
1987	4.8L (T) 292"		12146312	12001	12500
1987	5.7L (K) 350"		12146312	12001	12500
1987	6.2L (C) 379"		12146312	12001	12500
1987	6.2L (J) 379"		12146312	12001	12500
V20 Suburban					
1988-1987	5.7L (K) 350"		12146312	12001	12500
1988-1987	6.2L (J) 379"		12146312	12001	12500
1988-1987	7.4L (N) 454"		12146312	12001	12500
V2500 Suburban					
1991-1989	5.7L (K) 350"		12146312	12001	12500
1991-1989	6.2L (J) 379"		12146312	12001	12500
1991-1989	7.4L (N) 454"		12146312	12001	12500
V30 Pickup					
1988-1987	4.8L (T) 292"		12146312	12001	12500
1988-1987	5.7L (K) 350"		12146312	12001	12500
1988-1987	5.7L (M) 350"		12146312	12001	12500
1988-1987	6.2L (J) 379"		12146312	12001	12500
1988-1987	7.4L (N) 454"		12146312	12001	12500
1988-1987	7.4L (W) 454"		12146312	12001	12500
V3500 Pickup					
1991-1989	5.7L (K) 350"		12146312	12001	12500
1991-1989	6.2L (J) 379"		12146312	12001	12500
1991-1989	7.4L (N) 454"		12146312	12001	12500
1989	7.4L (W) 454"		12146312	12001	12500
CHRYSLER					
4 CYL.					
Cirrus					
2000	2.0L (C) 122"		56027873	12060	—
2000-1997	2.4L (X) 148"		56027873, M56027873	12060	—
1996-1995	2.4L (X) 148"	DOHC	33004281	12014	—
Conquest					
1989-1987	2.6L (N) 156"		MD069879	12030	—

ENGINE COOLANT TEMPERATURE SENSORS

YEAR	ENGINE	FOOTNOTE	OE #	PART #	UNIV PART #
CHRYSLER 4 CYL. (Cont'd)					
Laser					
1986-1985	2.2L (D) 135"	TBI,Fan Switch	5226356	12013	—
1986-1984	2.2L (D) 135"	TBI	5226374	12014	—
1986-1985	2.2L (E) 135"	Turbo,Fan Switch	5226356	12013	—
1986-1984	2.2L (E) 135"	Turbo	5226374	12014	—
1991-1986	2.5L (K) 153"	Fan Switch	5226356	12013	—
1986	2.5L (K) 153"	TBI	5226374	12014	—
LeBaron					
1989	2.2L (A) 135"	Turbo	5226374	12014	—
1989	2.2L (A) 135"	Turbo,Fan Switch	5226356	12013	—
1988-1985	2.2L (D) 135"	TBI	5226374	12014	—
1988-1985	2.2L (D) 135"	Fan Switch	5226356	12013	—
1988-1985	2.2L (E) 135"	Turbo,Fan Switch	5226356	12013	—
1988-1984	2.2L (E) 135"	Turbo	5226374	12014	—
1993	2.5L (B) 153"		33004281	12014	—
1992	2.5L (J) 153"	Turbo	33004281	12014	—
1991-1989	2.5L (J) 153"	Turbo,Fan Switch	5226356	12013	—
1991-1989	2.5L (J) 153"	Turbo	5226374	12014	—
1993-1992	2.5L (K) 153"	TBI	33004281	12014	—
1991-1986	2.5L (K) 153"	TBI	5226374	12014	—
1993	2.5L (V) 153"	Flex Fuel	5226374	12014	—
1985-1984	2.6L (G) 156"		5226374	12014	—
1985	2.6L (G) 156"	Fan Switch	5226356	12013	—
New Yorker					
1987-1986	2.2L (D) 135"	TBI,Fan Switch	5226356	12013	—
1987-1984	2.2L (D) 135"	TBI	5226374	12014	—
1988-1985	2.2L (E) 135"	Turbo,Fan Switch	5226356	12013	—
1988-1984	2.2L (E) 135"	Turbo	5226374	12014	—
1988-1986	2.5L (K) 153"	TBI,Fan Switch	5226356	12013	—
1988-1986	2.5L (K) 153"	TBI	5226374	12014	—
1985-1984	2.6L (G) 156"		5226374	12014	—
1985	2.6L (G) 156"	Fan Switch	5226356	12013	—
Sebring					
1999-1997	2.0L (Y) 122"		56027873	12060	—
1996-1995	2.0L (Y) 122"		33004281	12014	—
1996-1995	2.4L (X) 148"	DOHC	33004281	12014	—
Sebring Convertible					
1998-1997	2.4L (X) 148"		56027873, M56027873	12060	—
TC By Maserati					
1989	2.2L (J) 135"	SOHC	5226374	12014	—
1990-1989	2.2L (R) 135"	DOHC	5226374	12014	—
6 CYL.					
300M					
2000-1998	3.5L (G) 215"		56027873	12060	—
Cirrus					
2000-1997	2.5L (H) 153"		56027873	12060	—
1996-1995	2.5L (H) 153"		33004281	12014	—
Concorde					
2000-1998	2.7L (R) 165"		56027873	12060	—
2000-1998	3.2L (J) 195"		56027873	12060	—
1998	3.2L (J) 195"		56027873, M56027873	12060	—
1996-1993	3.3L (T) 201"		33004281	12014	—
1994	3.3L (U) 201"	Flex Fuel	33004281	12014	—
1997-1993	3.5L (F) 215"		33004281	12014	—

ENGINE COOLANT TEMPERATURE SENSORS

YEAR	ENGINE	FOOTNOTE	OE #	PART #	UNIV PART #
CHRYSLER 6 CYL. (Cont'd)					
Fifth Avenue					
1993-1992	3.3L (R) 201"		33004281	12014	—
1991-1990	3.3L (R) 201"		5226374	12014	—
1993-1992	3.8L (L) 229"		33004281	12014	—
1991	3.8L (L) 229"		5226374	12014	—
Imperial					
1991-1990	3.3L (R) 201"		5226374	12014	—
1993-1991	3.8L (L) 229"		33004281, 5226374	12014	—
LeBaron					
1995-1992	3.0L (3) 181"		33004281	12014	—
1991-1990	3.0L (3) 181"		5226374	12014	—
1990	3.0L (3) 181"	Fan Switch	5226356	12013	—
LHS					
1997-1994	3.5L (F) 215"		33004281	12014	—
2000-1998	3.5L (G) 215"		56027873	12060	—
New Yorker					
1991-1988	3.0L (3) 181"	Fan Switch	5226356	12013	—
1990-1988	3.0L (3) 181"		5226374	12014	—
1993	3.3L (R) 201"		33004281	12014	—
1991-1990	3.3L (R) 201"		5226374	12014	—
1996-1994	3.5L (F) 215"		33004281	12014	—
Sebring					
2000	2.5L (H) 153"		56027873	12060	—
1996-1995	2.5L (H) 153"		33004281	12014	—
1998-1997	2.5L (N) 153"		30004281	12014	—
Sebring Convertible					
1999-1997	2.5L (H) 153"		56027873, M56027873	12060	—
TC By Maserati					
1991-1990	3.0L (S) 181"		5226374	12014	—
1991-1990	3.0L (S) 181"	Fan Switch	5226356	12013	—
CHRYSLER TRUCK					
6 CYL. Town & Country					
2000-1998	3.3L (G) 201"		56027873	12060	—
2000-1998	3.3L (R) 201"		56027873	12060	—
1997-1996	3.3L (R) 201"		56004815	12052	—
1993-1990	3.3L (R) 201"		33004281, 5226374	12014	—
2000-1999	3.8L (L) 229"		56027873	12060	—
1999	3.8L (L) 229"	AWD	56027873	12060	—
1998	3.8L (L) 229"		56027873	12060	—
1997-1996	3.8L (L) 229"		56004815	12052	—
1995-1994	3.8L (L) 229"		33004281	12014	—
DAIHATSU					
3 CYL. Charade					
1992-1988	1.0L (O) 61"		89422-12010-000	12024	—
4 CYL. Charade					
1992-1989	1.3L (2) 79"		89422-87702-000	12049	—
1992-1989	1.3L (2) 79"		89422-12010-000	12024	—
DAIHATSU TRUCK					
4 CYL. Rocky					
1992-1990	1.6L (O) 98"		89422-87702-000	12049	—

ENGINE COOLANT TEMPERATURE SENSORS

YEAR	ENGINE	FOOTNOTE	OE #	PART #	UNIV PART #
DODGE					
4 CYL.					
600					
1988-1984	2.2L (D) 135"	TBI	5226374	12014	—
1988-1984	2.2L (D) 135"	TBI,Fan Switch	5226356	12013	—
1988-1985	2.2L (E) 135"	Turbo,Fan Switch	5226356	12013	—
1988-1985	2.2L (E) 135"	Turbo	5226357	12014	—
1988-1986	2.5L (K) 153"	TBI	5226374	12014	—
1985-1984	2.6L (G) 156"	Fan Switch	5226356	12013	—
1985-1984	2.6L (G) 156"		5226374	12014	—
Aries					
1989-1985	2.2L (D) 135"		5226374	12014	—
1989-1985	2.2L (D) 135"	Fan Switch	5226356	12013	—
1988-1986	2.5L (K) 153"	Fan Switch	5226356	12013	—
1988-1986	2.5L (K) 153"	TBI	5226374	12014	—
1988-1986	2.5L (K) 153"	TBI	5226374	12014	—
1985-1984	2.6L (G) 156"	Fan Switch	5226356	12013	—
1985-1984	2.6L (G) 156"		5226374	12014	—
Charger					
1987-1985	2.2L (E) 135"		5226374	12014	—
1987-1985	2.2L (E) 135"	Fan Switch	5226356	12013	—
Colt					
1994-1991	1.5L (A) 90"		MD069879	12030	—
1988-1985	1.5L (K) 90"		MD069879	12030	—
1990-1989	1.5L (X) 90"		MD069879	12030	—
1988-1985	1.6L (F) 98"	Turbo	MD069879	12030	—
1990-1989	1.6L (Y) 98"		MD069879	12030	—
1989	1.6L (Z) 98"	Turbo	MD069879	12030	—
1994-1993	1.8L (C) 112"		MD069879	12030	—
Colt Vista					
1994-1992	1.8L (C) 112"		MD149338	12014	—
1988-1985	2.0L (D) 122"		MD069879	12030	—
1994-1992	2.4L (G) 146"		MD149338	12044	—
Colt Wagon					
1990-1987	1.5L (X) 90"		MD069879	12030	—
Daytona					
1989-1987	2.2L (A) 135"	Turbo,Fan Switch	5226356	12013	—
1989-1987	2.2L (A) 135"	Turbo	5226374	12014	—
1986-1984	2.2L (D) 135"	TBI,Fan Switch	5226356	12013	—
1986-1984	2.2L (D) 135"	TBI	5226374	12014	—
1988-1984	2.2L (E) 135"	Turbo	5226374	12014	—
1988-1984	2.2L (E) 135"	Turbo,Fan Switch	5226356	12013	—
1993	2.5L (B) 153"	TBI	33004281	12014	—
1992-1989	2.5L (J) 153"	Turbo	5226374	12014	—
1991-1986	2.5L (J, K) 153"	Fan Switch	5226356	12013	—
1993-1986	2.5L (K) 153"	TBI	5226374	12014	—
Daytona IROC R/T					
1993-1992	2.2L (A) 135"	Turbo III	33004281	12014	—
Daytona Shelby					
1990	2.2L (C) 135"	Turbo	5226374	12014	—
1990	2.2L (C) 135"	Turbo,Fan Switch	5226356	12013	—
1991	2.5L (J) 153"	Turbo	5226374	12014	—
Dynasty					
1993	2.5L (B) 153"	TBI	33004281	12014	—
1993-1988	2.5L (K) 153"	TBI	33004281	12014	—

ENGINE COOLANT TEMPERATURE SENSORS

YEAR	ENGINE	FOOTNOTE	OE #	PART #	UNIV PART #
DODGE 4 CYL. (Cont'd)					
Lancer					
1989-1988	2.2L (A) 135"	Turbo,Fan Switch	5226356	12013	—
1989-1988	2.2L (A) 135"	Turbo	5226374	12014	—
1989-1985	2.2L (D) 135"		5226374	12014	—
1989-1985	2.2L (D) 135"	Fan Switch	5226356	12013	—
1988-1985	2.2L (E) 135"	Turbo	5226357	12014	—
1988-1985	2.2L (E) 135"	Turbo,Fan Switch	5226356	12013	—
1989	2.5L (J) 153"	Turbo	5226374	12014	—
1989-1986	2.5L (K) 153"	TBI	5226374	12014	—
Neon					
1999-1995	2.0L (C) 122"	SOHC	4661341	12058	—
1999-1995	2.0L (Y) 122"	DOHC	4661341	12058	—
Omni					
1990-1988	2.2L (D) 135"		5226374	12014	—
1990-1981	2.2L (D) 135"	Fan Switch	5226356	12013	—
1988-1985	2.2L (E) 135"	Turbo,Fan Switch	5226356	12013	—
1988-1985	2.2L (E) 135"	Turbo	5226357	12014	—
Shadow					
1990	2.2L (A) 135"	Turbo	5226374	12014	—
1990	2.2L (A) 135"	Turbo,Fan Switch	5226356	12013	—
1994-1992	2.2L (D) 135"	TBI	33004281	12014	—
1991-1987	2.2L (D) 135"	Fan Switch	5226356	12013	—
1991-1987	2.2L (D) 135"		5226374	12014	—
1988-1987	2.2L (E) 135"	Turbo,Fan Switch	5226356	12013	—
1988-1987	2.2L (E) 135"		5226374	12014	—
1993	2.5L (B) 153"	TBI	33004281	12014	—
1992-1989	2.5L (J) 153"	Turbo	5226374	12014	—
1991-1987	2.5L (J,K) 153"	Fan Switch	5226356	12013	—
1994-1987	2.5L (K) 153"		5226374	12014	—
Spirit					
1993	2.5L (B) 153"	TBI	33004281	12014	—
1992-1989	2.5L (J) 153"	Turbo	5226374	12014	—
1995-1989	2.5L (K) 153"	TBI	33004281	12014	—
1995-1992	2.5L (V) 153"	FFV	33004281	12014	—
Spirit R/T					
1992-1991	2.2L (A) 135"	Turbo III	33004281	12014	—
Stratus					
1999-1997	2.0L (C) 122"	SOHC	56027873, M56027873	12060	—
1999-1997	2.4L (X) 148"		56027873, M56027873	12060	—
Vista					
1991-1989	2.0L (V) 122"		MD069879	12030	—
6 CYL.					
Avenger					
1999	2.5L (N) 153"		56027873, M56027873	12060	—
Daytona					
1993-1991	3.0L (3) 181"		33004281	12014	—
1991-1988	3.0L (3) 181"		5226374	12014	—
Dynasty					
1993-1992	3.0L (3) 181"		33004281	12014	—
1991-1988	3.0L (3) 181"		5226374	12014	—
Intrepid					
1998	2.7L (R) 165"		56027873, M56027873	12060	—
1998	3.2L (J) 195"		56027873, M56027873	12060	—
1997-1993	3.3L (R) 201"		33004281	12014	—
1997-1993	3.3L (T) 201"		33004281	12014	—

ENGINE COOLANT TEMPERATURE SENSORS

YEAR	ENGINE	FOOTNOTE	OE #	PART #	UNIV PART #
DODGE 6 CYL. Intrepid (Cont'd)					
1997-1994	3.3L (U) 201"	Flex Fuel	33004281	12014	—
1997-1993	3.5L (L) 215"	SOHC	33004289	12014	—
1997-1993	3.8L (L) 229"		33004281	12014	—
Monaco					
1992-1990	3.0L (U) 181"		5226374	12014	—
Shadow					
1994-1992	3.0L (3) 181"		33004281	12014	—
Spirit					
1995-1992	3.0L (3) 181"		33004281	12014	—
1991-1989	3.0L (3) 181"		5226374	12014	—
Stratus					
1999-1997	2.5L (H) 153"		56027873, M56027873	12060	—
10 CYL.					
Viper					
1996-1992	8.0L (E) 488"		5226374	12014	—
DODGE TRUCK					
4 CYL.					
Caravan					
1987-1984	2.2L (C) 135"	Carb.	5226374	12014	—
2000	2.4L (B) 146"		56027873	12060	—
1999-1998	2.4L (B) 146"		56027873, M56027873	12060	—
1998	2.4L (B) 146"		33004281	12014	—
1997-1996	2.4L (B) 148"		56004815	12052	—
1997	2.4L (X) 148"		56027873, M56027873	12060	—
1991-1989	2.5L (J) 153"	Turbo,Fan Switch	5226356	12013	—
1991-1989	2.5L (J) 153"	Turbo	5226374	12014	—
1995-1993	2.5L (K) 153"	TBI	33004281	12014	—
1992-1987	2.5L (K) 153"	TBI	5226374	12014	—
Dakota					
1988-1987	2.2L (C) 135"	Fan Switch	5226356	12013	—
1988-1987	2.2L (C) 135"	Carb.	5226374	12014	—
1996-1989	2.5L (K) 153"	TBI	5226374	12014	—
1991-1988	2.5L (K) 153"	Fan Switch	5226356	12013	—
2002-1997	2.5L (P) 153"		56027873	12060	—
1999-1997	2.5L (P) 153"		56027873, M56027873	12060	—
Grand Caravan					
1998	2.4L (B) 148"		56027873, M56027873	12060	—
1997-1996	2.4L (B) 148"		56004815	12052	—
1997	2.4L (X) 148"		56027873, M56027873	12060	—
Mini Ram					
1987-1984	2.2L (C) 135"	Carb.	5226374	12014	—
1991-1989	2.5L (J) 153"	Turbo	5226374	12014	—
1991-1989	2.5L (J) 153"	Turbo,Fan Switch	5226356	12013	—
1992-1987	2.5L (K) 153"	TBI	5226374	12014	—
Power Ram 50					
1994-1992	2.4L (G) 148"		MD069879	12030	—
Ram 50					
1994-1992	2.4L (G) 148"		MD069879	12030	—
6 CYL.					
B150					
1994	3.9L (X) 239"		56004815	12052	—
1993-1987	3.9L (X) 239"		5226374	12014	—
B1500					
2002-2000	3.9L (X) 239"		56004815	12052	—
1999-1997	3.9L (X) 239"		56004815	12052	—
1998-1995	3.9L (X) 239"		56004815	12052	—

ENGINE COOLANT TEMPERATURE SENSORS

YEAR	ENGINE	FOOTNOTE	OE #	PART #	UNIV PART #
DODGE TRUCK 6 CYL. (Cont'd)					
B250					
1994	3.9L (X) 239"		56004815	12052	—
1993-1987	3.9L (X) 239"		5226374	12014	—
B2500					
1998-1997	3.9L (X) 239"		56004815	12052	—
1998-1995	3.9L (X) 239"		56004815	12052	—
Caravan					
2000-1997	3.0L (3) 181"		56027873, M56027873	12060	—
1997-1996	3.0L (3) 181"		56004815	12052	—
1995-1987	3.0L (3) 181"		33004281, 5226374	12014	—
2000-1998	3.3L (G) 201"		56027873, M56027873	12060	—
1995	3.3L (J) 201"	CNG	33004281	12014	—
2000	3.3L (R) 201"		56027873, M56027873	12060	—
1999-1998	3.3L (R) 201"		56027873, M56027873	12060	—
1999-1997	3.3L (R) 201"		56027873, M56027873	12060	—
1997	3.3L (R) 201"		33004281	12014	—
1996	3.3L (R) 201"		56004815	12052	—
1995-1990	3.3L (R) 201"		33004281	12014	—
1999-1997	3.8L (L) 229"		56027873, M56027873	12060	—
1997-1996	3.8L (L) 229"		56004815	12052	—
1997	3.8L (L) 229"		33004281	12014	—
D100					
1993-1987	3.9L (X) 239"		5226374	12014	—
D150					
1993-1987	3.9L (X) 239"		5226374	12014	—
Dakota					
1987	3.9L (M) 239"	Fan Switch	5226356	12013	—
2003	3.9L (X) 239"		56004815	12052	—
2002	3.9L (X) 239"		56004815	12052	—
2001-1997	3.9L (X) 239"		56004815	12052	—
1998-1992	3.9L (X) 239"		56004815	12052	—
1991-1987	3.9L (X) 239"	Fan Switch	5226356	12013	—
Durango					
1999-1998	3.9L (X) 239"		56004815	12052	—
Grand Caravan					
2000	3.0L (3) 181"		56027873, M56027873	12060	—
1999-1997	3.0L (3) 181"		56027873, M56027873	12060	—
1997-1996	3.0L (3) 181"		56004815	12052	—
1995-1994	3.0L (3) 181"		33004281	12014	—
2000-1998	3.3L (G) 201"		56027873, M56027873	12060	—
2000-1997	3.3L (R) 201"		56027873, M56027873	12060	—
1997-1996	3.3L (R) 201"		56004815	12052	—
1997	3.3L (R) 201"	On Thermostat Housing	33004281	12014	—
1995-1994	3.3L (R) 201"		33004281	12014	—
2000-1997	3.8L (L) 229"		56027873, M56027873	12060	—
1997	3.8L (L) 229"	On Thermostat Housing	33004281	12014	—
1996	3.8L (L) 229"		56004815	12052	—
1995-1993	3.8L (L) 229"		33004281	12014	—
Mini Ram					
1995-1990	3.3L (R) 201"		33004281	12014	—
Power Ram 50					
1994-1992	3.0L (N) 181"		MD069879	12030	—
Ram					
1998-1994	3.9L (X) 239"		56004815	12052	—

ENGINE COOLANT TEMPERATURE SENSORS

YEAR	ENGINE	FOOTNOTE	OE #	PART #	UNIV PART #
DODGE TRUCK 6 CYL. (Cont'd)					
Ram 1500					
2003-2002	3.7L (K) 225"		56027873	12060	—
2001-1997	3.9L (X) 239"		56004815	12052	—
2003	5.9L (6) 359"	Diesel	56004815	12052	—
2003	5.9L (C) 359"	Diesel	56004815	12052	—
Ram 2500					
2003	5.9L (6) 359"	Diesel	56004815	12052	—
2001	5.9L (6) 359"	Diesel	56004815	12052	—
2003	5.9L (C) 359"	Diesel	56004815	12052	—
Ram 3500					
2003	5.9L (6) 359"	Diesel	56004815	12052	—
2001	5.9L (6) 359"	Diesel	56004815	12052	—
2003	5.9L (C) 359"	Diesel	56004815	12052	—
Ram 50					
1994-1992	3.0L (N) 181"		MD069879	12030	—
W100					
1993-1987	3.9L (X) 239"		5226374	12014	—
W150					
1993-1987	3.9L (X) 239"		5226374	12014	—
W250					
1993-1987	3.9L (X) 239"		5226374	12014	—
8 CYL.					
B100					
1987-1984	5.2L (T) 318"		5226374	12014	—
1992-1988	5.2L (Y) 318"		5226374	12014	—
B150					
1987-1984	5.2L (T) 318"		5226374	12014	—
1994-1992	5.2L (Y) 318"		56004815	12052	—
1992-1988	5.2L (Y) 318"		5226374	12014	—
1985	5.9L (1) 360"		5226374	12014	—
1989-1984	5.9L (W) 360"		5226374	12014	—
1992-1990	5.9L (Z) 360"		5226374	12014	—
B1500					
1999	5.2L (T) 318"		56004815	12052	—
1999	5.2L (2) 318"		56004815	12052	—
1997-1995	5.2L (T) 318"	CNG	56004815	12052	—
2002-2000	5.2L (Y) 318"		56004815	12052	—
1999-1997	5.2L (Y) 318"		56004815	12052	—
1998-1995	5.2L (Y) 318"		56004815	12052	—
1998-1995	5.9L (5) 360"		56004815	12052	—
2002-2000	5.9L (Z) 360"		56004815	12052	—
1999-1998	5.9L (Z) 360"		56004815	12052	—
1998-1995	5.9L (Z) 360"		56004815	12052	—
B250					
1987-1984	5.2L (T) 318"		5226374	12014	—
1994-1992	5.2L (Y) 318"		56004815	12052	—
1992-1988	5.2L (Y) 318"		5226374	12014	—
1985	5.9L (1) 360"		5226374	12014	—
1989-1984	5.9L (W) 360"		5226374	12014	—
1992-1990	5.9L (Z) 360"		5226374	12014	—
B2500					
2002	5.2L (T) 318"		56004815	12052	—
1999	5.2L (T) 318"		56004815	12052	—
1999	5.2L (2) 318"		56004815	12052	—
1997-1995	5.2L (T) 318"	CNG	56004815	12052	—

ENGINE COOLANT TEMPERATURE SENSORS

YEAR	ENGINE	FOOTNOTE	OE #	PART #	UNIV PART #
DODGE TRUCK 8 CYL. B2500 (Cont'd)					
1997	5.2L (T) 318"		56004815	12052	—
2002-2000	5.2L (Y) 318"		56004815	12052	—
1999-1997	5.2L (Y) 318"		56004815	12052	—
1998-1995	5.2L (Y) 318"		56004815	12052	—
1998-1995	5.9L (5) 360"		56004815	12052	—
2002-2000	5.9L (Z) 360"		56004815	12052	—
1999-1997	5.9L (Z) 360"		56004815	12052	—
1998-1995	5.9L (Z) 360"		56004815	12052	—
B350					
1987-1984	5.2L (T) 318"		5226374	12014	—
1994-1992	5.2L (Y) 318"		56004815	12052	—
1992-1988	5.2L (Y) 318"		5226374	12014	—
1985	5.9L (1) 360"		5226374	12014	—
1989-1984	5.9L (W) 360"		5226374	12014	—
1992-1990	5.9L (Z) 360"		5226374	12014	—
B3500					
2002	5.2L (T) 318"		56004815	12052	—
1999	5.2L (2) 318"		56004815	12052	—
1999	5.2L (T) 318"		56004815	12052	—
1997-1995	5.2L (T) 318"	CNG	56004815	12052	—
2002-2000	5.2L (Y) 318"		56004815	12052	—
1999	5.2L (Y) 318"		56004815	12052	—
1998-1995	5.2L (Y) 318"		56004815	12052	—
1998-1995	5.9L (5) 360"		56004815	12052	—
1998	5.9L (5) 360"		56004815	12052	—
2002-2000	5.9L (Z) 360"		56004815	12052	—
1999	5.9L (Z) 360"		56004815	12052	—
1998-1995	5.9L (Z) 360"		56004815	12052	—
D100					
1987-1984	5.2L (T) 318"		5226374	12014	—
1992-1988	5.2L (Y) 318"		5226374	12014	—
D150					
1987-1984	5.2L (T) 318"		5226374	12014	—
1992-1988	5.2L (Y) 318"		5226374	12014	—
1985	5.9L (1) 360"		5226374	12014	—
1993-1990	5.9L (5) 360"		33004281	12014	—
1989-1984	5.9L (W) 360"		5226374	12014	—
1992-1990	5.9L (Z) 360"		5226374	12014	—
D250					
1987-1984	5.2L (T) 318"		5226374	12014	—
1992-1988	5.2L (Y) 318"		5226374	12014	—
1985	5.9L (1) 360"		5226374	12014	—
1993-1990	5.9L (5) 360"		33004281	12014	—
1989-1984	5.9L (W) 360"		5226374	12014	—
1992-1990	5.9L (Z) 360"		5226374	12014	—
D350					
1987-1984	5.2L (T) 318"		5226374	12014	—
1992-1988	5.2L (Y) 318"		5226374	12014	—
1985	5.9L (1) 360"		5226374	12014	—
1993-1990	5.9L (5) 360"		33004281	12014	—
1989-1984	5.9L (W) 360"		5226374	12014	—
1992-1990	5.9L (Z) 360"		5226374	12014	—
Dakota					
2003-2000	4.7L (N) 285"		56027873	12060	—
1999-1994	5.2L (Y) 318"		56004815	12052	—

ENGINE COOLANT TEMPERATURE SENSORS

YEAR	ENGINE	FOOTNOTE	OE #	PART #	UNIV PART #
DODGE TRUCK 8 CYL. Dakota (Cont'd)					
2003	5.9L (X) 360"		56004815	12052	—
2002-1998	5.9L (Z) 360"		56004815	12052	—
Durango					
2003-2000	4.7L (N) 285"		56027873	12060	—
2000-1998	5.2L (Y) 318"		56004815	12052	—
2003	5.9L (X) 360"		56004815	12052	—
2002-1998	5.9L (Z) 360"		56004815	12052	—
Ram					
1998-1994	5.2L (Y) 318"	HD	56004815	12052	—
1998-1994	5.9L (5) 360"	HD	56004815	12052	—
1998-1994	5.9L (Z) 360"		56004815	12052	—
Ram 1500					
2003-2002	4.7L (N) 285"		56027873	12060	—
2001-1997	5.2L (Y) 318"		56004815	12052	—
1996-1994	5.2L (Y) 318"		56004815	12052	—
2003	5.7L (D) 345"		56027873	12060	—
1999	5.9L (5) 360"		56004815	12052	—
2003-1998	5.9L (Z) 360"		56004815	12052	—
Ram 2500					
2003	5.7L (D) 345"		56027873	12060	—
1999	5.9L (5) 360"		56004815	12052	—
1999-1998	5.9L (6) 359"	Turbo,Diesel	4720315	12056	—
1998-1997	5.9L (D) 359"	Diesel	4720315	12056	—
2003-1998	5.9L (Z) 360"		56004815	12052	—
Ram 3500					
1997-1996	5.2L (Y) 318"		56004815	12052	—
2003	5.7L (D) 345"		56027873	12060	—
2002-1999	5.9L (5) 360"		56004815	12052	—
1999-1998	5.9L (6) 359"	Turbo,Diesel	4720315	12056	—
1998-1997	5.9L (D) 359"	Diesel	4720315	12056	—
2003-1998	5.9L (Z) 360"		56004815	12052	—
W100					
1987-1984	5.2L (T) 318"		5226374	12014	—
1992-1988	5.2L (Y) 318"		5226374	12014	—
W150					
1987-1984	5.2L (T) 318"		5226374	12014	—
1992-1988	5.2L (Y) 318"		5226374	12014	—
1985	5.9L (1) 360"		5226374	12014	—
1993-1990	5.9L (5) 360"		33004281	12014	—
1989-1984	5.9L (W) 360"		5226374	12014	—
1992-1990	5.9L (Z) 360"		5226374	12014	—
W250					
1987-1984	5.2L (T) 318"		5226374	12014	—
1992-1988	5.2L (Y) 318"		5226374	12014	—
1985	5.9L (1) 360"		5226374	12014	—
1993-1990	5.9L (5) 360"		33004281	12014	—
1989-1984	5.9L (W) 360"		5226374	12014	—
1992-1990	5.9L (Z) 360"		5226374	12014	—
W350					
1987-1984	5.2L (T) 318"		5226374	12014	—
1992-1988	5.2L (Y) 318"		5226374	12014	—
1985	5.9L (1) 360"		5226374	12014	—
1993-1990	5.9L (5) 360"		33004281	12014	—
1989-1984	5.9L (W) 360"		5226374	12014	—
1992-1990	5.9L (Z) 360"		5226374	12014	—

ENGINE COOLANT TEMPERATURE SENSORS

YEAR	ENGINE	FOOTNOTE	OE #	PART #	UNIV PART #
DODGE TRUCK (Cont'd)					
10 CYL.					
Ram 2500					
2003-1994	8.0L (W) 488"		56004815	12052	—
Ram 3500					
2003-1994	8.0L (W) 488"		56004815	12052	—
EAGLE					
4 CYL.					
Premier					
1990-1988	2.5L (H) 150"		33002383, 8933002383	12038	—
Summit					
1996-1995	1.5L (A) 90"		MD149338	12044	—
1989	1.5L (A) 90"		MD069879	12030	—
1996-1990	1.5L (X) 90"		MD069879	12030	—
1990-1989	1.6L (Y) 97"		MD069879	12030	—
1996-1995	1.8L (C) 107"		MD149338	12044	—
Summit Vista					
1994-1992	2.4L (G) 144"		MD069879	12030	—
1992	2.4L (W) 144"		MD069879	12030	—
Summit Wagon					
1996-1994	1.8L (C) 107"		MD069879	12030	—
1996-1995	2.4L (G) 144"		MD177572	12055	—
Talon					
1994-1990	1.8L (T) 107"		MD069879	12030	—
1994-1993	2.0L (E) 122"		MD069879	12030	—
1995	2.0L (F) 122"	Turbo	33004281	12014	—
1994-1993	2.0L (F) 122"	Turbo	MD069879	12030	—
1992-1990	2.0L (R) 122"		MD069879	12030	—
1992-1990	2.0L (U) 122"	Turbo	MD069879	12030	—
1995	2.0L (Y) 122"		33004281	12014	—
6 CYL.					
Vision					
1996-1993	3.3L (R) 201"		33004281	12014	—
1997	3.3L (T) 201"		33004281	12014	—
1997	3.3L (U) 201"	Flex Fuel	33004281	12014	—
1997-1993	3.5L (F) 215"		33004281	12014	—
FERRARI					
8 CYL.					
348 TB					
1994-1991	3.4L 208"		0-280-130-026	12041	—
348 TS					
1994-1991	3.4L 208"		0-280-130-026	12041	—
F355					
1995	3.5L 213"	2 Req	0-280-130-026	12041	—
Mondial					
1993-1990	3.4L 208"		0-280-130-026	12041	—
12 CYL.					
456 GT					
1997-1995	5.5L 334"	2 Req	0-280-130-026	12041	—
512 TR					
1995-1992	4.9L 301"	Testarossa	0-280-130-026	12041	—
550 Maranello					
1997-1996	5.5L 334"	2 Req	0-280-130-026	12041	—

ENGINE COOLANT TEMPERATURE SENSORS

YEAR	ENGINE	FOOTNOTE	OE #	PART #	UNIV PART #
FERRARI 12 CYL. (Cont'd)					
Testarossa					
1991-1987	4.9L 301"		0-280-130-032	12047	—
FIAT					
4 CYL.					
131					
1981-1980	1.5L (38B) 91"		0-280-130-023	12026	—
Brava					
1981-1980	1.5L (38B) 91"		0-280-130-023	12026	—
Spider 2000					
1980-1979	2.0L (32B) 122"		0-280-130-023	12026	—
1983-1981	2.0L (32C) 122"		0-280-130-023	12026	—
Strada					
1980	1.5L (38A) 91"		0-280-130-023	12026	—
X19					
1980	1.5L (38A) 91"		0-280-130-023	12026	—
1983-1981	1.5L (38B) 91"		0-280-130-023	12026	—
FORD					
4 CYL.					
Aspire					
1997-1994	1.3L (H) 81"		F4BZ-12A698A	12023	—
Contour					
2000-1996	2.0L (3) 122"		F5AF-12A648AA	12045	—
2000-1996	2.0L (Z) 122"		F5AF-12A648AA	12045	—
Escort					
1985-1983	1.6L (5) 98"		E4AF-12A648AA, E1AF-AA	12011	—
1985-1984	1.6L (8) 98"	Turbo	E4AF-12A648AA, E1AF-AA	12011	—
1996-1991	1.8L (8) 109"		E8GY-12A648A	12024	—
1990-1987	1.9L (9) 116"		E1AF-12A648AA, E4AF-AA, F2AF-AA	12011	—
1996	1.9L (J) 116"		F5AF-12A648AA	12045	—
1995-1986	1.9L (J) 116"	MPI	E1AF-12A648AA, E4AF-AA, F2AF-AA	12011	—
2002	2.0L (3) 122"		F5AF-12A648AA	12045	—
2002-1997	2.0L (P) 122"		F5AF-12A648AA	12045	—
Escort GT					
1995-1986	1.9L (J) 116"		E1AF-12A648AA, E4AF-AA, F2AF-AA	12011	—
Escort ZX2					
2003-1998	2.0L (3) 122"		F5AF-12648AA	12045	—
EXP					
1984-1983	1.6L (5) 98"		E4AF-12A648AA, E1AF-AA	12011	—
1985-1984	1.6L (8) 98"	Turbo	E4AF-12A648AA, E1AF-AA	12011	—
Festiva					
1993-1988	1.3L (H) 81"		E8GY-12A648A	12024	—
Focus					
2002-2000	2.0L (3) 122"		F5AF-12A648AB	12045	—
2001-2000	2.0L (3) 122"		F5AF-12A648AB	12045	—
2003-2002	2.0L (P) 122"		1L2Z-12A648AA	12065	—
2003-2002	2.0L (P) 122"		1L2A-12A648AA	12065	—
2001-2000	2.0L (P) 122"		F5AF-12A648AB	12045	—
2001-2000	2.0L (P) 122"		F5AF-12A648AB	12045	—
Mustang					
1990-1987	2.3L (A) 140"		E4AF-12A648AA, E1AF-AA	12011	—
1984	2.3L (A) 140"	OHC,1Bbl	E4AF-12A648AA, E1AF-AA	12011	—
1994-1991	2.3L (M) 140"		E4AF-12A648AA, E1AF-AA	12011	—
1985-1983	2.3L (T) 140"	Turbo	E4AF-12A648AA, E1AF-AA	12011	—
1987-1983	2.3L (W) 140"	Turbo	E4AF-12A648AA, E1AF-AA	12011	—

ENGINE COOLANT TEMPERATURE SENSORS

YEAR	ENGINE	FOOTNOTE	OE #	PART #	UNIV PART #
FORD 4 CYL. (Cont'd)					
Probe					
1997-1996	2.0L (A) 121"	MT	F62F-12A648AA	12046	—
1995-1993	2.0L (A) 121"		F3ZF-12A648AA	12039	—
1992-1989	2.2L (C,L) 133"	Turbo	E8GY-12A648A	12024	—
Taurus					
1991-1986	2.5L (D) 153"		E4AF-12A648AA	12011	—
Tempo					
1984	2.3L (R) 140"	HSC,1Bbl	E4AF-12A648AA, E1AF-AA	12011	—
1992-1985	2.3L (S) 140"		E4AF-12A648AA, E1AF-AA	12011	—
1994-1985	2.3L (X) 140"		E0AE-12A648AA, E1AF-AA, E1AZ-A, E4AF-AA, E6DZ-A, F1AF-BA, F2AF-AA, F2AZ-A	12011	—
Thunderbird					
1988-1986	2.3L (T) 140"	Turbo	E4AF-12A648AA, E1AF-AA	12011	—
1987-1983	2.3L (W) 140"	Turbo	E4AF-12A648AA, E1AF-AA	12011	—
6 CYL.					
Contour					
2000-1998	2.5L (G) 153"		F5AF-12A648AA	12045	—
2000-1996	2.5L (L) 153"		F5AF-12A648AA	12045	—
LTD					
1986-1984	3.8L (3) 232"		E4AF-12A648AA, F2AF-AA	12011	—
Mustang					
1986-1984	3.8L (3) 232"		E4AF-12A648AA, F2AF-AA	12011	—
2000-1996	3.8L (4) 232"		F5AF-12A648AA	12045	—
1995-1994	3.8L (4) 232"		E4AF-12A648AA, F2AF-AA	12011	—
Probe					
1997-1993	2.5L (B) 153"		F32Z-12A648A	12032	—
1992-1990	3.0L (U) 182"		E1AF-12A648AA, E4AF-AA	12011	—
1992	3.0L (U) 182"	w/Plastic Sensor	F2VY-12A648AA	12063	—
Sable					
1996-1992	3.0L (U) 182"	w/Plastic Sensor	F2VY-12A648AA	12063	—
Taurus					
1998-1996	3.0L (1) 182"	FFV	F5AF-12A648AA	12045	—
1995-1993	3.0L (1) 182"	FFV	E4AF-12A648AA, E1AF-AA	12011	—
2002-1996	3.0L (2) 182"	FFV	F5AF-12A648AA	12045	—
2002-2001	3.0L (S) 182"		1L2A-12A648AA	12065	—
2000-1996	3.0L (S) 182"	DOHC,24V	F5AF-12A648AA	12045	—
2002-1996	3.0L (U) 182"	SOHC,12V	F5AF-12A648AA	12045	—
1996-1992	3.0L (U) 182"	w/Plastic Sensor	F2VY-12A648AA	12063	—
1995-1986	3.0L (U) 182"		E1AF-12A648AA, E4AF-AA, F2AF-AA, F1AF-BA	12011	—
1995-1988	3.8L (4) 232"		E0AE-12A648AA, E1AF-AA, E1AZ-A, E4AF-AA, E6DZ-A, F1AF-BA, F2AF-AA, F2AZ-A	12011	—
Taurus SHO					
1995-1989	3.0L (Y) 182"		E4AF-12A648AA, E1AF-AA	12011	—
1995-1993	3.2L (P) 182"	AT	E4AF-12A648AA, E1AF-AA	12011	—
Tempo					
1994-1992	3.0L (U) 182"		E4AF-12A648AA, E1AF-AA	12011	—
1994-1992	3.0L (U) 182"	w/Plastic Sensor	F2VY-12A648AA	12063	—
Thunderbird					
1987-1984	3.8L (3) 232"		E4AF-12A648AA, F2AF-AA	12011	—
1997-1996	3.8L (4) 232"		F5AF-12A648AA	12045	—

ENGINE COOLANT TEMPERATURE SENSORS

YEAR	ENGINE	FOOTNOTE	OE #	PART #	UNIV PART #
FORD 6 CYL. Thunderbird (Cont'd)					
1995-1988	3.8L (4) 232"		E0AE-12A648AA, E1AF-AA, E1AZ-A, E4AF-AA, E6DZ-A, F1AF-BA, F2AF-AA, F2AZ-A	12011	—
1991-1989	3.8L (R) 232"	SC	E4AF-12A648AA, F2AF-AA	12011	—
Thunderbird Super Coupe					
1995-1992	3.8L (R) 232"	SC	E4AF-12A648AA, F2AF-AA	12011	—
Topaz					
1994	3.0L (U) 182"	w/Plastic Sensor	F2VY-12A648AA	12063	—
8 CYL. Country Squire					
1984	5.0L (F) 302"		E4AF-12A648AA, F2AF-AA	12011	—
Crown Victoria					
2003-1998	4.6L (9) 281"	Cylinder Head Temp	F65Z-6G004-AB	12064	—
2001-1996	4.6L (9) 281"	Used for Ambient Air	F2AZ-12A648A	12011	—
1995-1993	4.6L (V) 281"		E4AF-12A648AA	12011	—
2003-1998	4.6L (W) 281"	Cylinder Head Temp	F65Z-6G004-AB	12064	—
2003-1996	4.6L (W) 281"	Used for Ambient Air	F2AZ-12A648A	12011	—
1995-1992	4.6L (W) 281"		E4AF-12A648AA	12011	—
1998-1996	4.6L (W,6) 281"		F5AF-12A648AA	12045	—
1991-1981	5.0L (F) 302"		E4AF-12A648AA, F2AF-AA	12011	—
LTD					
1985-1984	5.0L (F) 302"		E4AF-12A648AA, F2AF-AA	12011	—
LTD Crown Victoria					
1988-1983	5.0L (F) 302"		E4AF-12A648AA, F2AF-AA	12011	—
Mustang					
2003-1996	4.6L (V) 281"	DOHC	F5AF-12A648AA	12045	—
2003	4.6L (Y) 281"	SC	F5AF-12A648AA	12045	—
1993-1987	5.0L (E) 302"		E4AF-12A648AA, F2AF-AA	12011	—
1985-1984	5.0L (F) 302"		E4AF-12A648AA, F2AF-AA	12011	—
1986-1985	5.0L (M) 302"		E4AF-12A648AA, F2AF-AA	12011	—
1995-1994	5.0L (T) 302"		E0AE-12A648AA, E1AF-AA, E1AZ-A, E4BF-AA, E6DZ-A, F1AF-BA, F2AF-AA, F2AZ-A	12011	—
Mustang Cobra					
2003-1996	4.6L (X) 281"		F5AF-12A648AA	12045	—
1995-1993	5.0L (D) 302"		E4AF-12A648AA, F2AF-AA	12011	—
Mustang Mach 1					
2003	4.6L (R) 281"		F5AF-12A648AA	12045	—
Taurus					
1999-1996	3.4L (N) 207"		F5AF-12A648AA	12045	—
Taurus SHO					
1999-1996	3.4L (N) 207"		F5AF-12A648AA	12045	—
Thunderbird					
2003-2002	3.9L (A) 242"	w/OE #	F5AF-12A648AA	12045	—
2003-2002	3.9L (A) 242"	Oil Filter	F5AF-12A648AA	12045	—
2003-2002	3.9L (A) 242"	At Mnfld	F62F-12A648AA	12046	—
1997-1996	4.6L (W) 281"		F5AF-12A648AA	12045	—
1988-1983	5.0L (F) 302"		E4AF-12A648AA, F2AF-AA	12011	—
1986	5.0L (M) 302"		E4AF-12A648AA, F2AF-AA	12011	—
1993-1991	5.0L (T) 302"		E4AF-12A648AA, F2AF-AA	12011	—
FORD TRUCK					
4 CYL. Aerostar					
1987-1986	2.3L (A) 140"		E1AF-12A648AA, E4AF-AA, F2AF-AA	12011	—

ENGINE COOLANT TEMPERATURE SENSORS

YEAR	ENGINE	FOOTNOTE	OE #	PART #	UNIV PART #
FORD TRUCK 4 CYL. (Cont'd)					
Bronco II					
1987-1986	2.3L (A) 140"		E1AF-12A648AA, E4AF-AA, F2AF-AA	12011	—
Ranger					
1997-1995	2.3L (A) 140"		F5AF-12A648AA	12045	—
1994-1985	2.3L (A) 140"		E1AF-12A648AA, E4AF-AA, F2AF-AA	12011	—
1999-1998	2.5L (C) 153"		F5AF-12A648AA	12045	—
6 CYL. Aerostar					
1997-1996	3.0L (U) 182"		F5AF-12A648AA	12045	—
1995-1986	3.0L (U) 183"		E4AF-12A648AA, F2AF-AA	12011	—
1997-1995	4.0L (X) 241"		F5AF-12A648AA	12045	—
1997	4.0L (X) 241"		F77F-12A648AA	12046	—
1995-1990	4.0L (X) 241"		E1AF-12A648AA, E4AF-AA, F1AF-BA, F2AF-AA, F3AF-AA	12011	—
Bronco					
1992-1984	4.9L (Y) 300"		E1AF-12A648AA, F1AF-BA, F2AF-AA	12011	—
Bronco II					
1985-1984	2.8L (S) 170"		E1AF-12A648AA, E4AF-AA	12011	—
1990-1986	2.9L (T) 179"		E1AF-12A648AA, E4AF-AA	12011	—
E150					
2003-1997	4.2L (2) 256"	w/OE #	F5AF-12A648AA	12045	—
1996-1984	4.9L (Y) 300"	w/OE #	E1AF-12A648AA, F1AF-BA, F2AF-AA	12011	—
1996	4.9L (Y) 300"	w/OE #	F5AF-12A648AA	12045	—
E250					
2003-1997	4.2L (2) 256"	w/OE #	F5AF-12A648AA	12045	—
1996-1984	4.9L (Y) 300"	w/OE #	E1AF-12A648AA, F1AF-BA, F2AF-AA	12011	—
1996	4.9L (Y) 300"	w/OE #	F5AF-12A648AA	12045	—
E350					
1996-1984	4.9L (Y) 300"	w/OE #	E1AF-12A648AA, F1AF-BA, F2AF-AA	12011	—
1996	4.9L (Y) 300"	w/OE #	F5AF-12A648AA	12045	—
Escape					
2004-2001	3.0L (1) 182"		1L2Z-12A648AA, 3L8Z-12A648BA	12065	—
Explorer					
2003-1997	4.0L (E) 241"		F77F-12A648AA	12046	—
2001-1996	4.0L (E) 241"	Used for Ambient Air Temp	F2AF-12A648AA	12011	—
2003-2000	4.0L (K) 241"		1L2A-12A648AA	12065	—
2001-1995	4.0L (X) 241"		F5AF-12A648AA	12045	—
1995-1991	4.0L (X) 241"		E1AF-12A648AA, E4AF-AA, F1AF-BA, F2AF-AA, F3AF-AA	12011	—
Explorer Sport/Sport Trac					
2004-2001	4.0L (E) 241"	w/OE #	F77F-12A648AA	12046	—
2004-2001	4.0L (E) 241"	w/OE #	1L2A-12A648AA	12065	—
2004-2001	4.0L (K) 241"	w/OE #	1L2A-12A648AA	12065	—
2004-2001	4.0L (K) 241"	w/OE #	F77F-12A648AA	12046	—
F150					
2004-1997	4.2L (2) 256"		F5AF-12A648AA	12045	—
1996	4.9L (Y) 300"		F5AF-12A648AA	12045	—
1995-1984	4.9L (Y) 300"		E1AF-12A648AA, F1AF-BA, F2AF-AA	12011	—

ENGINE COOLANT TEMPERATURE SENSORS

YEAR	ENGINE	FOOTNOTE	OE #	PART #	UNIV PART #
FORD TRUCK 6 CYL. (Cont'd)					
F250					
1996	4.9L (Y) 300"		F5AF-12A648AA	12045	—
1995-1984	4.9L (Y) 300"		E1AF-12A648AA, F1AF-BA, F2AF-AA	12011	—
F350					
1996	4.9L (Y) 300"		F5AF-12A648AA	12045	—
1995-1984	4.9L (Y) 300"		E1AF-12A648AA, F1AF-BA, F2AF-AA	12011	—
Freestar					
2004	3.8L 232"		F5AF-12A648AA	12045	—
2004	3.9L (A) 242"		F5AF-12A648AA	12045	—
2004	4.2L (2) 256"		F5AF-12A648AA	12045	—
Ranger					
1985-1983	2.8L (S) 170"		E1AF-12A648AA, E4AF-AA	12011	—
1992-1986	2.9L (T) 179"		E1AF-12A648AA, E4AF-AA	12011	—
2003-1996	3.0L (U) 182"	Used for Ambient Air Temp	F2AF-12A648AA	12011	—
2003-1995	3.0L (U) 182"		F5AF-12A648AA	12045	—
1994-1991	3.0L (U) 183"		E1AF-12A648AA, E4AF-AA	12011	—
2003	3.0L (V) 182"		F5AF-12A648AA	12045	—
2003-2001	4.0L (E) 241"		1L2Z-12A648AA	12065	—
2003-2001	4.0L (E) 241"	w/OE #	F77F-12A648AA	12046	—
2003-1996	4.0L (E) 241"	Used for Ambient Air Temp	F2AF-12A648AA	12011	—
2003-1995	4.0L (E) 241"	w/OE #	F5AF-12A648AA	12045	—
2003-1990	4.0L (E) 241"		E1AF-12A648AA, E4AF-AA, F1AF-BA, F2AF-AA, F3AF-AA	12011	—
Windstar					
2000-1995	3.0L (U) 182"		F5AF-12A648AA	12045	—
2003-1996	3.8L (4) 232"		F5AF-12A648AA	12045	—
8 CYL.					
B600					
1991	7.0L (J) 429"		E4AF-12A648AA	12011	—
B700					
1991	7.0L (J) 429"		E4AF-12A648AA	12011	—
Bronco					
1984-1981	5.0L (F) 302"	2Bbl, Cal.	E0AE-12A648AA, E1AF-AA, E4AF-AA	12011	—
1996	5.0L (H) 351"		F5AF-12A648AA	12045	—
1995-1985	5.0L (N) 302"		E1AF-12A648AA, E4AF-AA, F1AF-BA, F2AF-AA	12011	—
1995-1988	5.8L (H) 351"		E4AF-12A648AA, F1AF-BA, F2AF-AA	12011	—
E100					
1983-1981	5.0L (F) 302"		E1AF-12A648AA	12011	—
E150					
2003-1997	4.6L (6) 281"	Cylinder Head Temp	F65Z-6G004AB	12064	—
1999-1997	4.6L (6) 281"		F5AF-12A648AA	12045	—
2003-1997	4.6L (W) 281"	Cylinder Head Temp	F65Z-6G004AB	12064	—
1999	4.6L (W) 281"		F5AF-12A648AA	12045	—
1985	5.0L (F) 302"	2Bbl	E1AF-12A648AA, E4AF-AA	12011	—
1984-1981	5.0L (F) 302"	2Bbl, Cal.	E0AE-12A648AA, E1AF-AA, E4AF-AA	12011	—
1996	5.0L (H) 351"		F5AF-12A648AA	12045	—
1995-1985	5.0L (N) 302"		E1AF-12A648AA, E4AF-AA, F1AF-BA, F2AF-AA	12011	—
2003-1997	5.4L (L) 330"	w/OE #, Used for Ambient Air Temp	F2AZ-12A648A	12011	—

ENGINE COOLANT TEMPERATURE SENSORS

YEAR	ENGINE	FOOTNOTE	OE #	PART #	UNIV PART #
FORD TRUCK 8 CYL. E150 (Cont'd)					
2003-1997	5.4L (L) 330"	w/OE #,Cylinder Head Temp	F65Z-6G004AB	12064	—
1999-1997	5.4L (L) 330"		F5AF-12A648AA	12045	—
2003-1997	5.4L (M) 330"	w/OE #,Cylinder Head Temp	F65Z-6G004AB	12064	—
2003-1997	5.4L (M) 330"	w/OE #,Used for Ambient Air Temp	F2AZ-12A648A	12011	—
1999-1998	5.4L (M) 330"		F5AF-12A648AA	12045	—
1996-1988	5.8L (H) 351"	w/OE #	E4AF-12A648AA, F1AF-BA, F2AF-AA	12011	—
1996	5.8L (H) 351"	w/OE #	F5AF-12A648AA	12045	—
E250					
1999-1997	4.6L (6) 281"		F5AF-12A648AA	12045	—
1999	4.6L (W) 281"		F5AF-12A648AA	12045	—
1985	5.0L (F) 302"	2Bbl	E1AF-12A648AA, E4AF-AA	12011	—
1984-1981	5.0L (F) 302"	2Bbl,Cal.	E0AE-12A648AA, E1AF-AA, E4AF-AA	12011	—
1996	5.0L (H) 351"		F5AF-12A648AA	12045	—
1995-1985	5.0L (N) 302"		E1AF-12A648AA, E4AF-AA, F1AF-BA, F2AF-AA	12011	—
2003-1997	5.4L (L) 330"	w/OE #,Cylinder Head Temp	F65Z-6G004AB	12064	—
2003-1997	5.4L (L) 330"	w/OE #,Used for Ambient Air Temp	F2AZ-12A648A	12011	—
1999-1997	5.4L (L) 330"		F5AF-12A648AA	12045	—
2003-1997	5.4L (M) 330"	w/OE #,Cylinder Head Temp	F65Z-6G004AB	12064	—
2003-1997	5.4L (M) 330"	w/OE #,Used for Ambient Air Temp	F2AZ-12A648A	12011	—
1999-1998	5.4L (M) 330"	CNG	F5AF-12A648AA	12045	—
1999-1997	5.4L (Z) 330"	w/OE #,Cylinder Head Temp	F65Z-6G004AB	12064	—
1999-1997	5.4L (Z) 330"	w/OE #	F5AF-12A648AA	12045	—
1999-1997	5.4L (Z) 330"	w/OE #,Used for Ambient Air Temp	F2AZ-12A648A	12011	—
1996-1988	5.8L (H) 351"	w/OE #	E4AF-12A648AA, F1AF-BA, F2AF-AA	12011	—
1996	5.8L (H) 351"	w/OE #	F5AF-12A648AA	12045	—
2001-1998	7.3L (M) 446"	Engine Oil Temp	F5AZ-12A648A	12045	—
1997-1988	7.5L (G) 460"		E4AF-12A648AA, F2AF-AA	12011	—
E350					
2003-1997	5.4L (L) 330"	w/OE #,Cylinder Head Temp	F65Z-6G004AB	12064	—
2003-1997	5.4L (L) 330"	w/OE #,Used for Ambient Air Temp	F2AZ-12A648A	12011	—
1999-1997	5.4L (L) 330"		F5AF-12A648AA	12045	—
2003-1997	5.4L (M) 330"	w/OE #,Cylinder Head Temp	F65Z-6G004AB	12064	—
2003-1997	5.4L (M) 330"	w/OE #,Used for Ambient Air Temp	F2AZ-12A648A	12011	—
1999-1998	5.4L (M) 330"	CNG	F5AF-12A648AA	12045	—
1999-1997	5.4L (Z) 330"	w/OE #,Cylinder Head Temp	F65Z-6G004AB	12064	—
1999-1997	5.4L (Z) 330"	w/OE #	F5AF-12A648AA	12045	—
1999-1997	5.4L (Z) 330"	w/OE #,Used for Ambient Air Temp	F2AZ-12A648A	12011	—
1996-1988	5.8L (H) 351"	w/OE #	E4AF-12A648AA, F1AF-BA, F2AF-AA	12011	—
1996	5.8L (H) 351"	w/OE #	F5AF-12A648AA	12045	—
2001-1998	7.3L (M) 446"	Engine Oil Temp	F5AZ-12A648A	12045	—
1997-1994	7.3L (M) 446"	Engine Oil Temp	F2AZ-12A648A	12011	—

ENGINE COOLANT TEMPERATURE SENSORS

YEAR	ENGINE	FOOTNOTE	OE #	PART #	UNIV PART #
FORD TRUCK 8 CYL. E350 (Cont'd)					
1996-1994	7.3L (M) 446"	Air Charge	F3VY-12A647A	12063	—
1997-1988	7.5L (G) 460"		E4AF-12A648AA, F2AF-AA	12011	—
E450					
2003-2002	7.3L (M) 446"	Engine Oil Temp	F5AZ-12A648A	12045	—
Excursion					
2003-2000	7.3L (F) 446"	Used for Oil Temp	F5AF-12A648AA	12045	—
Expedition					
2000	4.6L (6) 281"	Cylinder Head Temp	F65Z-6G004AB	12064	—
1999-1997	4.6L (6) 281"		F5AF-12A648AA	12045	—
2003-2000	4.6L (W) 281"	Cylinder Head Temp	F65Z-6G004AB	12064	—
1999-1997	4.6L (W) 281"		F5AF-12A648AA	12045	—
2003-2000	5.4L (L) 330"	Cylinder Head Temp	F65Z-6G004AB	12064	—
1999-1997	5.4L (L) 330"		F5AF-12A648AA	12045	—
Explorer					
2001-1996	5.0L (P) 302"		F5AF-12A648AA	12045	—
F150					
2004-1997	4.6L (6) 281"	Cylinder Head Temp	F65Z-6G004AB	12064	—
1999-1997	4.6L (6) 281"		F5AF-12A648AA	12045	—
2004-1997	4.6L (W) 281"	Cylinder Head Temp	F65Z-6G004AB	12064	—
1999-1997	4.6L (W) 281"		F5AF-12A648AA	12045	—
1985	5.0L (F) 302"	2Bbl	E1AF-12A648AA, E4AF-AA	12011	—
1984-1981	5.0L (F) 302"	2Bbl, Cal.	E0AE-12A648AA, E1AF-AA, E4AF-AA	12011	—
1996	5.0L (H) 351"		F5AF-12A648AA	12045	—
1995-1985	5.0L (N) 302"		E1AF-12A648AA, E4AF-AA, F1AF-BA, F2AF-AA	12011	—
2004-1997	5.4L (L) 330"		F5AF-12A648AA	12045	—
2003-1996	5.4L (M) 330"		F5AF-12A648AA	12045	—
2003-1998	5.4L (Z) 330"	Propane	F5AF-12A648AA	12045	—
1996-1988	5.8L (H) 351"	w/OE #	E4AF-12A648AA, F1AF-BA, F2AF-AA	12011	—
1996	5.8L (H) 351"		F5AF-12A648AA	12045	—
F150 Lightning					
2004-1997	5.4L (3) 330"		F5AF-12A648AA	12045	—
1995-1993	5.8L (R) 351"		E1AF-12A648AA	12011	—
F250					
1999-1997	4.6L (6) 281"	Cylinder Head Temp	F65Z-6G004AB	12064	—
1999-1997	4.6L (6) 281"		F5AF-12A648AA	12045	—
1999-1997	4.6L (W) 281"		F5AF-12A648AA	12045	—
1999-1997	4.6L (W) 281"	Cylinder Head Temp	F65Z-6G004AB	12064	—
1985	5.0L (F) 302"	2Bbl	E1AF-12A648AA, E4AF-AA	12011	—
1984-1981	5.0L (F) 302"	2Bbl, Cal.	E0AE-12A648AA, E1AF-AA, E4AF-AA	12011	—
1996	5.0L (H) 351"		F5AF-12A648AA	12045	—
1995-1985	5.0L (N) 302"		E1AF-12A648AA, E4AF-AA, F1AF-BA, F2AF-AA	12011	—
2003-1997	5.4L (L) 330"		F5AF-12A648AA	12045	—
2003-1997	5.4L (M) 330"		F5AF-12A648AA	12045	—
2003-1998	5.4L (Z) 330"		F5AF-12A648AA	12045	—
1997-1996	5.8L (H) 351"	w/OE #	F5AF-12A648AA	12045	—
2003-1997	7.3L (F) 446"	Engine Oil Temp	F5AZ-12A648A	12045	—
1996-1994	7.3L (F) 446"	Engine Oil Temp	F2AF-12A648AA	12011	—
1996-1994	7.3L (F) 446"		E3VY-12A648A	12063	—
1997-1996	7.5L (G) 460"	w/OE #	F5AF-12A648AA	12045	—
1997-1988	7.5L (G) 460"	w/OE #	E4AF-12A648AA, F2AF-AA	12011	—

ENGINE COOLANT TEMPERATURE SENSORS

YEAR	ENGINE	FOOTNOTE	OE #	PART #	UNIV PART #
FORD TRUCK 8 CYL. (Cont'd)					
F350					
1985	5.0L (F) 302"	2Bbl	E1AF-12A648AA, E4AF-AA	12011	—
1984-1981	5.0L (F) 302"	2Bbl,Cal.	E0AE-12A648AA, E1AF-AA, E4AF-AA	12011	—
1996	5.0L (H) 351"		F5AF-12A648AA	12045	—
1995-1985	5.0L (N) 302"		E1AF-12A648AA, E4AF-AA, F1AF-BA, F2AF-AA	12011	—
1997-1996	5.8L (H) 351"	w/OE #	F5AF-12A648AA	12045	—
1997-1996	5.8L (H) 351"	w/OE #	F5AF-12A648AA	12045	—
2003-1997	7.3L (F) 446"	Engine Oil Temp	F5AZ-12A648A	12045	—
1997-1994	7.3L (F) 446"	Engine Oil Temp	F2AF-12A648AA	12011	—
1996-1994	7.3L (F) 446"		E3VY-12A648A	12063	—
1997-1996	7.5L (G) 460"	w/OE #	F5AF-12A648AA	12045	—
1997-1988	7.5L (G) 460"	w/OE #	E4AF-12A648AA, F2AF-AA	12011	—
F450					
2003-1999	7.3L (F) 446"	Engine Oil Temp	F5AZ-12A648A	12045	—
F550					
2003-1999	7.3L (F) 446"	Engine Oil Temp	F5AZ-12A648A	12045	—
F59					
1994	7.3L (F) 446"	Engine Oil Temp	F2AF-12A648AA	12011	—
F600					
1994-1991	7.0L (J) 429"		E4AF-12A648AA	12011	—
F700					
1997-1991	7.0L (J) 429"		E4AF-12A648AA, E4AF-AA	12011	—
F800					
1992-1991	7.0L (J) 429"		E4AF-12A648AA	12011	—
10 CYL. E Series					
1999-1998	6.8L (S) 413"		F5AF-12A648AA	12045	—
F250					
1999-1997	6.8L (S) 413"		F5AF-12A648AA	12045	—
F350					
2003-1999	6.8L (S) 413"		F5AF-12A648AA	12045	—
GEO					
3 CYL.					
Metro					
1991-1989	1.0L (2) 61"	Turbo,Can,PFI	96062513	12032	—
1994-1992	1.0L (6) 61"	TBI	96062513	12032	—
1991-1989	1.0L (6) 61"	TBI	96056758	12024	—
1991-1989	1.0L (Z) 61"	Turbo,Can	96062513	12032	—
4 CYL.					
Metro					
1994-1992	1.3L (9) 79"	TBI	96062513	12032	—
Metro LSI					
1994-1992	1.3L (9) 79"	Can	96062513	12032	—
Prizm					
1992-1990	1.6L (5) 98"		94847363	12032	—
1997-1993	1.6L (6) 98"		94853124	12032	—
1992-1989	1.6L (6) 98"		94847363	12032	—
1997-1993	1.8L (8) 110"		94853124	12032	—
Storm					
1993-1990	1.6L (6) 98"		12146312	12001	12500
Storm GSI					
1991-1990	1.6L (5) 98"		12146312	12001	12500
1993-1992	1.8L (8) 110"		12146312	12001	12500

ENGINE COOLANT TEMPERATURE SENSORS

YEAR	ENGINE	FOOTNOTE	OE #	PART #	UNIV PART #
GEO TRUCK					
4 CYL. Tracker					
1998-1996	1.6L (6) 98"		96068627	12032	—
1995	1.6L (6) 98"	4WD,Exc.Exp.	96068627	12032	—
1994	1.6L (6) 98"	Cal.	96068627	12032	—
1994-1991	1.6L (U) 98"	TBI	96068627	12032	—
1990-1989	1.6L (U) 98"	4WD,TBI	96062513	12032	—
GMC TRUCK					
4 CYL. Jimmy					
2000-1998	2.2L (4) 135"		12146312	12001	12500
1997-1994	2.2L (4) 135"	3 Blade	10096181	12062	—
1988-1985	2.5L (E) 151"		12146312	12001	12500
LLV					
1993-1985	2.5L (A,E) 151"	Post Office	25036979	12001	12500
M Van					
1993-1985	2.5L (A,E) 151"		25036979	12001	12500
1990-1987	2.5L (E) 151"		25036979	12001	12500
S15 Jimmy					
2000-1998	2.2L (4) 135"		12146312	12001	12500
1997-1994	2.2L (4) 135"	3 Blade	10096181	12062	—
1988-1985	2.5L (E) 151"		12146312	12001	12500
S15 Pickup					
1985-1984	1.9L (A) 119"		25036092	—	12500
1985-1984	1.9L (A) 119"		25636092	—	12500
1984	1.9L (A) 119"	Cal.	10045487, 25036092	—	12500
2000-1998	2.2L (4) 135"		12146312	12001	—
1997-1994	2.2L (4) 135"	3 Blade	10096181	12062	—
2002-2000	2.2L (5) 134"		12146312	12001	12500
2003	2.2L (4) 135"		12146312	12001	12500
1985	2.2L (S) 134"		12146312	12001	12500
1993-1991	2.5L (A) 151"		25036979	12001	12500
1993-1991	2.5L (A) 151"		25036979	12001	12500
1991-1985	2.5L (E) 151"		25036979	12001	12500
1991-1985	2.5L (E) 151"		25036979	12001	12500
Safari					
1990-1985	2.5L (E) 151"		25036979	12001	12500
Sonoma					
1985-1984	1.9L (A) 119"		25636092	—	12500
2000-1998	2.2L (4) 135"		12146312	12001	—
1997-1994	2.2L (4) 135"	3 Blade	10096181	12062	—
2002-2000	2.2L (5) 134"		12146312	12001	12500
2003	2.2L (4) 135"		12146312	12001	12500
1985	2.2L (S) 134"		12146312	12001	12500
1993-1991	2.5L (A) 151"		25036979	12001	12500
1991-1985	2.5L (E) 151"		25036979	12001	12500
T15 Jimmy					
1993-1991	2.5L (A) 151"		25036979	12001	12500
1991-1985	2.5L (E) 151"		25036979	12001	12500
T15 Pickup					
1985-1984	1.9L (A) 119"		25036092	—	12500
1984	1.9L (A) 119"	Cal.	10045487, 25036092	—	12500
1984	1.9L (A) 119"	Cal.	25036979	—	12500
1993-1991	2.5L (A) 151"		25036979	12001	12500
1993-1985	2.5L (A,E) 151"		25036979	12001	12500
1991-1985	2.5L (E) 151"		25036979	12001	12500
1990-1985	2.5L (E) 151"		25036979	12001	12500

ENGINE COOLANT TEMPERATURE SENSORS

YEAR	ENGINE	FOOTNOTE	OE #	PART #	UNIV PART #
GMC TRUCK (Cont'd)					
6 CYL.					
C15					
1984	4.1L (D) 250"	Cal.	10045847, 25036092	—	12500
1986-1985	4.3L (N) 262"	Cal.	25036979	12001	12500
1995-1991	4.3L (Z) 262"		25036979	12001	12500
1995-1988	4.3L (Z) 262"		25036979	12001	12500
C25					
1984	4.1L (D) 250"	Cal.	10045847, 25036092	—	12500
1986-1985	4.3L (N) 262"	Cal.	25036979	12001	12500
1990-1986	4.3L (W) 262"		25036979	12001	12500
1995-1991	4.3L (Z) 262"		25036979	12001	12500
C35					
1984	4.1L (D) 250"	Cal.	10045847, 25036092	—	12500
Caballero					
1979	3.8L (2) 231"	Cal.	8993311	—	12500
1981	3.8L (3) 231"		10045847, 25036092	—	12500
1984	3.8L (9) 231"		10045847, 25036092	—	12500
1984-1981	3.8L (A) 231"		10045847, 25036092	—	12500
1980-1979	3.8L (A) 231"	Cal.	8993298	—	12500
1982-1981	3.8L (K) 229"		10045847, 25036092	—	12500
1987-1985	4.3L (Z) 262"		25036979	12001	12500
Envoy					
2004-2002	4.2L (S) 256"		12564512	12067	—
2001-1998	4.3L (W) 262"		12146312	12001	—
2004-2003	5.3L (P)		15326388	12027	—
G15					
1984	4.1L (D) 250"		25036092	—	12500
1986-1985	4.3L (N) 262"	Cal.	25036979	12001	12500
2002-1996	4.3L (W) 262"		12146312	12001	—
2004-2003	4.3L (X) 262"		12146312	12001	12500
1995-1986	4.3L (Z) 262"		25036979	12001	12500
G25					
1984	4.1L (D) 250"		25036092	—	12500
1986-1985	4.3L (N) 262"	Cal.	25036979	12001	12500
2002-1996	4.3L (W) 262"		12146312	12001	—
2004-2003	4.3L (X) 262"		12146312	12001	12500
1995-1986	4.3L (Z) 262"		25036979	12001	12500
G35					
1984	4.1L (D) 250"		25036092	—	12500
1986-1985	4.3L (N) 262"	Cal.	25036979	12001	12500
2002-1996	4.3L (W) 262"		12146312	12001	—
1989-1986	4.3L (Z) 262"		25036979	12001	12500
Jimmy					
1989-1984	2.8L (B) 173"		25036092	—	12500
1989-1988	2.8L (R) 173"		25036979	12001	12500
2001-1992	4.3L (W) 262"		12146312	12001	12500
1994-1988	4.3L (Z) 262"		25036979	12001	12500
K15					
1984	4.1L (D) 250"		25036092	—	12500
1984	4.1L (D) 250"	Cal.	10045847, 25036092	—	12500
1986-1985	4.3L (N) 262"	Cal.	25036979	12001	12500
1990-1986	4.3L (W) 262"		25036979	12001	12500
1995-1991	4.3L (Z) 262"		25036979	12001	12500

ENGINE COOLANT TEMPERATURE SENSORS

YEAR	ENGINE	FOOTNOTE	OE #	PART #	UNIV PART #
GMC TRUCK 6 CYL. (Cont'd)					
K25					
1984	4.1L (D) 250"	Cal.	10045847, 25036092	—	12500
1984	4.1L (D) 250"		25036092	—	12500
1986-1985	4.3L (N) 262"	Cal.	25036979	12001	12500
1995-1988	4.3L (Z) 262"		25036979	12001	12500
K35					
1984	4.1L (D) 250"		25036092	—	12500
1984	4.1L (D) 250"	Cal.	10045847, 25036092	—	12500
1986-1985	4.3L (N) 262"	Cal.	25036979	12001	12500
P32 Motor Home					
1997	4.3L (W) 262"		12146312	12001	—
P35					
1999-1996	4.3L (W) 262"		12146312	12001	12500
1995-1990	4.3L (Z) 262"		25036979	12001	12500
P42 Commercial Chassis					
1997	4.3L (W) 262"		12146312	12001	—
R15 Pickup					
1987	4.3L (Z) 262"		12146312	12001	12500
R25 Pickup					
1988-1987	4.8L (T) 262"		12146312	12001	12500
S15 Jimmy					
1989-1982	2.8L (B) 173"	Cal.	10045847, 25036092	—	12500
1985-1982	2.8L (B) 173"		25036092	—	12500
1993-1985	2.8L (R) 173"		25036979	12001	12500
2001-1992	4.3L (W) 262"		12146312	12001	12500
1994-1988	4.3L (Z) 262"		12146312, 25036979	12001	12500
S15 Pickup					
1989-1982	2.8L (B) 173"	Cal.	10045847, 25036092	—	12500
1985-1982	2.8L (B) 173"		25036092	—	12500
1993-1985	2.8L (R) 173"		25036979	12001	12500
2002-1992	4.3L (W) 262"		12146312	12001	12500
2004-2003	4.3L (X) 262"		12146312	12001	12500
1999-1996	4.3L (X) 262"		12146312	12001	—
1995-1988	4.3L (Z) 262"		12146312	12001	12500
Safari					
1991-1990	4.3L (B) 262"		25036979	12001	12500
2001-1992	4.3L (W) 262"		12146312, 25036979	12001	12500
2004-2002	4.3L (X) 262"		12146312	12001	12500
1994-1986	4.3L (Z) 262"		12146312, 25036979	12001	12500
Savana 1500					
2002-1996	4.3L (W) 262"		12146312	12001	12500
2004	4.3L (X) 262"		12146312	12001	12500
Savana 2500					
2002-1996	4.3L (W) 262"		12146312	12001	12500
2004	4.3L (X) 262"		12146312	12001	12500
Savana 3500					
1998-1996	4.3L (W) 262"		12146312	12001	12500
1998-1996	4.3L (W) 262"		12146312	12001	12500
Sierra 1500					
2002-1996	4.3L (W) 262"		12146312	12001	12500
2004-2002	4.3L (X) 262"		12146312	12001	12500
1995-1989	4.3L (Z) 262"		25036979	12001	12500
Sierra 2500					
1995-1989	4.3L (Z) 262"		25036979	12001	12500

ENGINE COOLANT TEMPERATURE SENSORS

YEAR	ENGINE	FOOTNOTE	OE #	PART #	UNIV PART #
GMC TRUCK 6 CYL. (Cont'd)					
Sonoma					
2002-1992	4.3L (W) 262"		12146312	12001	12500
1998-1996	4.3L (X) 262"		12146312	12001	12500
1995-1991	4.3L (Z) 262"		12146312	12001	12500
Syclone					
1992-1991	4.3L (Z) 262"	ZR9,Turbo	25036979	12001	12500
T15 Jimmy					
1989-1982	2.8L (B) 173"	Cal.	10045847, 25036092	—	12500
1985-1982	2.8L (B) 173"		25036092	—	12500
1993-1985	2.8L (R) 173"		25036979	12001	12500
2001-1992	4.3L (W) 262"		12146312	12001	12500
1998	4.3L (X) 262"		12146312	12001	12500
1994-1988	4.3L (Z) 262"		12146312, 25036979	12001	12500
T15 Pickup					
1989-1982	2.8L (B) 173"	Cal.	10045847, 25036092	—	12500
1985-1982	2.8L (B) 173"		25036092	—	12500
1993-1985	2.8L (R) 173"		25036979	12001	12500
2002-1992	4.3L (W) 262"		12146312	12001	12500
2004-2003	4.3L (X) 262"		12146312	12001	12500
1999-1996	4.3L (X) 262"		12146312	12001	—
1995-1988	4.3L (Z) 262"		12146312	12001	12500
Typhoon					
1993-1992	4.3L (Z) 262"	ZR9,Turbo	25036979	12001	12500
V15 Pickup					
1987	4.3L (Z) 262"		12146312	12001	12500
8 CYL.					
C15					
1986-1985	5.0L (F) 305"		25036979	12001	12500
1984-1983	5.0L (F) 305"		25036092	—	12500
1995-1987	5.0L (H) 305"		25036979	12001	12500
1998-1996	5.0L (M) 305"		12146312, 25036979	12001	12500
1999-1987	5.7L (K) 350"		12146312, 25036979	12001	12500
1986-1985	5.7L (L) 350"	Cal.	25036979	12001	12500
1984-1983	5.7L (L) 350"	Cal.	25036092	—	12500
1999-1996	5.7L (R) 350"		25036979	12001	12500
1993-1988	6.2L (C) 381"	Diesel,Glow Plug Control	25036979	12001	12500
1998-1993	6.5L (F) 395"	Diesel	12146312, 25036979	12001	12500
1995-1994	6.5L (P) 395"	Diesel	25036979	12001	12500
1998-1994	6.5L (S) 395"	Diesel	12146312	12001	12500
1995-1994	6.5L (Y) 395"	Diesel	25036979	12001	12500
1995-1988	7.4L (N) 454"		25036979	12001	12500
C25					
1986-1985	5.0L (F) 305"		25036979	12001	12500
1984-1983	5.0L (F) 305"		25036092	—	12500
1995-1987	5.0L (H) 305"		25036979	12001	12500
1999-1996	5.0L (M) 305"		12146312	12001	12500
1999-1987	5.7L (K) 350"		12146312, 25036979	12001	12500
1986-1985	5.7L (L) 350"	Cal.	25036979	12001	12500
1984-1983	5.7L (L) 350"	Cal.	25036092	—	12500
2000-1996	5.7L (R) 350"		12146312	12001	12500
1993-1988	6.2L (C) 381"	Diesel,Glow Plug Control	25036979	12001	12500
2000-1993	6.5L (F) 395"		12146312	12001	12500
1995-1994	6.5L (P) 395"	Diesel	25036979	12001	12500
1998-1994	6.5L (S) 395"		12146312	12001	12500
1995-1994	6.5L (Y) 395"	Diesel	25036979	12001	12500

ENGINE COOLANT TEMPERATURE SENSORS

YEAR	ENGINE	FOOTNOTE	OE #	PART #	UNIV PART #
GMC TRUCK 8 CYL. C25 (Cont'd)					
2000-1996	7.4L (J) 454"		12146312	12001	12500
1995-1988	7.4L (N) 454"		25036979	12001	12500
C35					
1986-1985	5.0L (F) 305"		25036979	12001	12500
1984-1983	5.0L (F) 305"		25036092	—	12500
1995-1988	5.7L (K) 350"		12146312	12001	12500
1984-1983	5.7L (L) 350"	Cal.	25036092	—	12500
2000-1996	5.7L (R) 350"		12146312	12001	12500
2002-2001	6.5L (F) 395"	HD Chassis Cab	12146312	12001	12500
2000-1993	6.5L (F) 395"		12146312	12001	12500
1998-1997	6.5L (S) 395"		12146312	12001	12500
2000-1996	7.4L (J) 454"		12146312	12001	12500
1995-1988	7.4L (N) 454"		12146312	12001	12500
Caballero					
1982-1981	4.4L (J) 267"		10045487, 25036092	12001	12500
1985-1982	5.0L (F) 305"		25036092	12001	12500
1985-1982	5.0L (G) 305"		25036092	12001	12500
1987-1985	5.0L (H) 305"		25036979	12001	12500
1985-1982	5.0L (H) 305"		25036092	12001	12500
1984-1981	5.0L (H) 305"		10045487, 25036092	12001	12500
G15					
1984-1983	5.0L (F) 305"		25036092	—	12500
2002-1996	5.0L (M) 305"		12146312	12001	12500
1999-1987	5.7L (K) 350"		12146312, 25036979	12001	12500
1986-1985	5.7L (L) 350"	Cal.	25036979	12001	12500
1984-1983	5.7L (L) 350"	Cal.	25036092	—	12500
2002-1996	5.7L (R) 350"		25036979	12001	12500
G25					
1985	5.0L (F) 305"		12146312	12001	12500
1984-1983	5.0L (F) 305"		25036092	—	12500
1996-1987	5.0L (H) 305"		12146312	12001	12500
2002-1996	5.0L (M) 305"		12146312	12001	12500
1999-1987	5.7L (K) 350"		12146312, 25036979	12001	12500
1986-1985	5.7L (L) 350"	Cal.	25036979	12001	12500
1984-1983	5.7L (L) 350"	Cal.	25036092	—	12500
2002-1996	5.7L (R) 350"		25036979	12001	12500
1993-1988	6.2L (C) 381"	Diesel, Glow Plug Control	25036979	12001	12500
2002-1996	6.5L (F) 395"	w/OE #	12146312	12001	12500
1995-1994	6.5L (P) 395"	Diesel	25036979	12001	12500
G35					
1984-1983	5.0L (F) 305"		25036092	—	12500
1995-1992	5.0L (H) 305"		12146312	12001	12500
1996-1997	5.7L (K) 350"		12146312	12001	12500
1996	5.7L (K) 305"		12146312	12001	12500
1986-1985	5.7L (L) 350"	Cal.	25036979	12001	12500
1984-1983	5.7L (L) 350"	Cal.	25036092	—	12500
2002-1996	5.7L (R) 350"		12146312	12001	12500
2002-1996	6.5L (F) 395"		12146312	12001	12500
1995-1994	6.5L (Y) 395"		12146312	12001	12500
2000-1988	7.4L (J) 454"		12146312	12001	12500
2000-1988	7.4L (N) 454"		12146312	12001	12500
2002-2001	8.1L (G) 496"		12146312	12001	12500

ENGINE COOLANT TEMPERATURE SENSORS

YEAR	ENGINE	FOOTNOTE	OE #	PART #	UNIV PART #
GMC TRUCK 8 CYL. (Cont'd)					
K15					
1986-1985	5.0L (F) 305"		25036979	12001	12500
1984-1983	5.0L (F) 305"		25036092	—	12500
1995-1987	5.0L (H) 305"		25036979	12001	12500
1998-1996	5.0L (M) 305"		12146312, 25036979	12001	12500
1999-1987	5.7L (K) 350"		12146312, 25036979	12001	12500
1986-1985	5.7L (L) 350"	Cal.	25036979	12001	12500
1984-1983	5.7L (L) 350"	Cal.	25036092	—	12500
1999-1996	5.7L (R) 350"		25036979	12001	12500
1993-1988	6.2L (C) 381"	Diesel,Glow Plug Control	25036979	12001	12500
1998-1993	6.5L (F) 395"	Diesel	12146312, 25036979	12001	12500
1995-1994	6.5L (P) 395"	Diesel	25036979	12001	12500
1998-1994	6.5L (S) 395"	Diesel	12146312	12001	12500
K25					
1984-1983	5.0L (F) 305"		25036092	—	12500
1995-1987	5.0L (H) 305"		25036979	12001	12500
1998-1996	5.0L (M) 305"		12146312	12001	12500
1999-1987	5.7L (K) 350"		12146312, 25036979	12001	12500
1986-1985	5.7L (L) 350"	Cal.	25036979	12001	12500
1984-1983	5.7L (L) 350"	Cal.	25036092	—	12500
2000-1996	5.7L (R) 350"		12146312	12001	12500
1993-1988	6.2L (C) 381"	Diesel,Glow Plug Control	25036979	12001	12500
2000-1993	6.5L (F) 395"		12146312	12001	12500
1995-1994	6.5L (P) 395"	Diesel	25036979	12001	12500
1998-1994	6.5L (S) 395"		12146312	12001	12500
2000-1996	7.4L (J) 454"		12146312	12001	12500
1995-1988	7.4L (N) 454"		25036979	12001	12500
K35					
1984-1983	5.0L (F) 305"		25036092	—	12500
1999-1987	5.7L (K) 350"		12146312, 25036979	12001	12500
1986-1985	5.7L (L) 350"	Cal.	25036979	12001	12500
1984-1983	5.7L (L) 350"	Cal.	25036092	—	12500
2000-1996	5.7L (R) 350"		12146312	12001	12500
2000-1993	6.5L (F) 395"		12146312	12001	12500
1998-1997	6.5L (S) 395"		12146312	12001	12500
2000-1996	7.4L (J) 454"		12146312	12001	12500
1995-1988	7.4L (N) 454"		25036979	12001	12500
P15					
1984	5.7L (L) 350"	Cal.	25036092	—	12500
P25					
1989-1987	5.7L (K) 350"		25036979	12001	12500
1984	5.7L (L) 350"	Cal.	25036092	—	12500
P35					
1996-1987	5.7L (K) 350"		25036979	12001	12500
1984	5.7L (L) 350"	Cal.	25036092	—	12500
1999-1996	5.7L (R) 350"		12146312	12001	12500
1993-1991	6.2L (J) 379"		12146312	12001	12500
1999-1993	6.5L (F) 395"	Diesel	12146312, 25036979	12001	12500
1999-1994	6.5L (Y) 395"	Diesel	25036979	12001	12500
1999-1998	7.4L (B) 454"		12146312	12001	12500
1999-1996	7.4L (J) 454"		12146312	12001	12500
1997-1987	7.4L (N) 454"		25036979	12001	12500

ENGINE COOLANT TEMPERATURE SENSORS

YEAR	ENGINE	FOOTNOTE	OE #	PART #	UNIV PART #
GMC TRUCK 8 CYL. (Cont'd)					
R15 Pickup					
1987	5.0L (H) 305"		12146312	12001	12500
1991-1987	5.7L (K) 350"		25036979	12001	12500
1990-1988	6.2L (C) 381"	Diesel,Glow Plug Control	25036979	12001	12500
1991-1987	7.4L (N) 454"		25036979	12001	12500
R15 Suburban					
1987	5.0L (H) 305"		12146312	12001	12500
1988-1987	5.7L (K) 350"		12146312	12001	12500
1988-1987	6.2L (C) 379"		12146312	12001	12500
R1500 Suburban					
1991-1989	5.7L (K) 350"		12146312	12001	12500
1991-1989	6.2L (C) 379"		12146312	12001	12500
R25 Pickup					
1987	5.0L (H) 305"		12146312	12001	12500
1988-1987	5.7L (K) 350"		12146312	12001	12500
1987	6.2L (C) 379"		12146312	12001	12500
1988-1987	6.2L (J) 379"		12146312	12001	12500
1988-1987	7.4L (N) 454"		12146312	12001	12500
R25 Suburban					
1988-1987	5.7L (K) 350"		12146312	12001	12500
1988-1987	6.2L (J) 379"		12146312	12001	12500
1988-1987	7.4L (N) 454"		12146312	12001	12500
R2500 Pickup					
1989	5.7L (K) 350"		12146312	12001	12500
1989	6.2L (J) 379"		12146312	12001	12500
1989	7.4L (N) 454"		12146312	12001	12500
R2500 Suburban					
1991-1989	5.7L (K) 350"		12146312	12001	12500
1991-1989	6.2L (J) 379"		12146312	12001	12500
1991-1989	7.4L (N) 454"		12146312	12001	12500
R35 Pickup					
1988-1987	4.8L (T) 262		12146312	12001	12500
1988-1987	4.8L (T) 262		12146312	12001	12500
1988-1987	5.7L (K) 350"		12146312	12001	12500
1988-1987	5.7L (M) 350"		12146312	12001	12500
1988-1987	6.2L (J) 379"		12146312	12001	12500
1988-1987	7.4L (N) 454"		12146312	12001	12500
1988-1987	7.4L (W) 454"		12146312	12001	12500
R3500 Pickup					
1991-1989	5.7L (K) 350"		12146312	12001	12500
1991-1989	6.2L (J) 379"		12146312	12001	12500
1991-1989	7.4L (N) 454"		12146312	12001	12500
1989	7.4L (W) 454"		12146312	12001	12500
Sierra 1500					
2004-1999	4.8L (V) 294"		15326388	12027	—
1995-1989	5.0L (H) 305"		25036979	12001	12500
1998-1996	5.0L (M) 305"		15326386	12001	12500
2004-1999	5.3L (T) 323"		15326388	12027	—
2004-2002	5.3L (Z) 323"		15326388	12027	—
1995-1989	5.7L (K) 350"		25036979	12001	12500
1998-1996	5.7L (R) 350"		15326386	12001	12500
2003-2001	6.0L (U) 364"	Crew Cab	15326388	12027	—
2003-2001	6.0L (U) 364"	HD	15326388	12027	—
1993-1989	6.2L (C) 381"		25036979	12001	12500
1998-1994	6.5L (F) 395"		15326386	12001	12500

ENGINE COOLANT TEMPERATURE SENSORS

YEAR	ENGINE	FOOTNOTE	OE #	PART #	UNIV PART #
GMC TRUCK 8 CYL. Sierra 1500 (Cont'd)					
1995-1994	6.5L (P) 395"		25036979	12001	12500
1998-1994	6.5L (S) 395"		15326386	12001	12500
1990-1989	7.4L (N) 454"		25036979	12001	12500
Sierra 2500					
1995-1989	5.0L (H) 305"		25036979	12001	12500
1997-1996	5.0L (M) 305"		15326386	12001	12500
2003-1999	5.3L (T) 323"		15326388	12027	—
2004-2002	5.3L (Z) 323"		15326388	12027	—
1995-1989	5.7L (K) 350"		25036979	12001	12500
1998-1996	5.7L (R) 350"		15326386	12001	12500
2004-1999	6.0L (U) 364"		15326388	12027	—
1993-1989	6.2L (C) 381"		25036979	12001	12500
1998-1994	6.5L (F) 395"		15326386	12001	12500
1995-1994	6.5L (P) 395"		25036979	12001	12500
1998-1994	6.5L (S) 395"		15326386	12001	12500
2004-2001	6.6L (1) 400"		15326386	12001	12500
1998-1994	7.4L (J) 454"		15326386	12001	12500
1990-1989	7.4L (N) 454"		25036979	12001	12500
Sierra 3500					
1995-1989	5.7L (K) 350"		25036979	12001	12500
2000-1996	5.7L (R) 350"		15326386	12001	12500
2004-2001	6.0L (U) 364"		15326388	12027	—
2000-1992	6.5L (F) 395"		15326386	12001	12500
1998-1994	6.5L (S) 395"		15326386	12001	12500
2004-2001	6.6L (1) 400"		15326386	12001	12500
2000-1996	7.4L (J) 454"		15326386	12001	12500
1995-1989	7.4L (N) 454"		25036979	12001	12500
V15 Pickup					
1987	5.0L (H) 305"		12146312	12001	12500
1987	5.7L (K) 350"		12146312	12001	12500
1987	6.2L (C) 379"		12146312	12001	12500
V15 Suburban					
1988-1987	5.7L (K) 350"		12146312	12001	12500
1988-1987	6.2L (C) 379"		12146312	12001	12500
V1500 Suburban					
1991-1989	5.7L (K) 350"		12146312	12001	12500
1991-1989	6.2L (C) 379"		12146312	12001	12500
V25 Pickup					
1987	4.8L (T) 292"		12146312	12001	12500
1987	4.8L (T) 292"		12146312	12001	12500
1987	5.7L (K) 350"		12146312	12001	12500
1987	6.2L (C) 379"		12146312	12001	12500
1987	6.2L (J) 379"		12146312	12001	12500
V25 Suburban					
1988-1987	5.7L (K) 350"		12146312	12001	12500
1988-1987	6.2L (J) 379"		12146312	12001	12500
1988-1987	7.4L (N) 454"		12146312	12001	12500
V2500 Suburban					
1991-1989	5.7L (K) 350"		12146312	12001	12500
1991-1989	6.2L (J) 379"		12146312	12001	12500
1991-1989	7.4L (N) 454"		12146312	12001	12500

ENGINE COOLANT TEMPERATURE SENSORS

YEAR	ENGINE	FOOTNOTE	OE #	PART #	UNIV PART #
GMC TRUCK 8 CYL. (Cont'd)					
V35 Pickup					
1988-1987	4.8L (T) 292"		12146312	12001	12500
1988-1987	4.8L (T) 292"		12146312	12001	12500
1988-1987	5.7L (K) 350"		12146312	12001	12500
1988-1987	5.7L (M) 350"		12146312	12001	12500
1988-1987	6.2L (J) 379"		12146312	12001	12500
1988-1987	7.4L (N) 454"		12146312	12001	12500
1988-1987	7.4L (W) 454"		12146312	12001	12500
V3500 Pickup					
1991-1989	5.7L (K) 350"		12146312	12001	12500
1991-1989	6.2L (J) 379"		12146312	12001	12500
1991-1989	7.4L (N) 454"		12146312	12001	12500
1989	7.4L (W) 454"		12146312	12001	12500
Yukon					
2004-2000	4.8L (V) 294"		15326388	12027	—
2004-2000	5.3L (T) 323"		15326388	12027	—
2004-2002	5.3L (Z) 323"		15326388	12027	—
2000-1996	5.7L (R) 350"		15326386	12001	12500
1999-1996	6.5L (S) 395"		15326386	12001	12500
Yukon Denali					
2004-2001	6.0L (U)		15326388	12027	—
Yukon XL 2500					
2004-2000	6.0L (U)		15326388	12027	—
HONDA					
3 CYL.					
Insight					
2002-2001	1.0L (ECA1)	Hybrid	37870-PJ7-003	12029	—
4 CYL.					
Accord					
1989-1986	2.0L (A20A3) 119"		37870-PE7-661	12021	—
1989	2.0L (A20A3) 119"	Located in Cylinder Head	37870-PJ7-003	12029	—
1991-1988	2.0L (B20A3,5, B21A1,A20A1,3) 119"		37870-PJ7-003, 37870-PK2-005	12029	—
1993-1990	2.2L (F22A1) 134"	Located in Cylinder Head	37870-PJ7-003	12029	—
1992-1990	2.2L (F22A4) 134"	Located in Cylinder Head	37870-PJ7-003	12029	—
1993-1991	2.2L (F22A6) 134"	Located in Cylinder Head	37870-PJ7-003	12029	—
1997-1994	2.2L (F22B1) 134"	Located in Pump Housing	37870-PJ7-003	12029	—
1997-1994	2.2L (F22B2) 134"	Located in Pump Housing	37870-PJ7-003	12029	—
2002-1998	2.2L (F23A1) 134"	Located in Pump Housing	37870-PJ7-003	12029	—
2002-1999	2.2L (F23A4) 134"	Located in Pump Housing	37870-PJ7-003	12029	—
2002-1998	2.2L (F23A5) 134"	Located in Pump Housing	37870-PJ7-003	12029	—
2002-1998	2.7L (C27A4) 160"	Located in Pump Housing	37870-PJ7-003	12029	—
Accord DX					
1988-1985	1.8L (ES2,3,ET2,A18A1)		37870-PE7-661	12021	—
Accord LXI					
1988-1985	1.8L (ES2,3,ET2,A18A1)	PGM-FI	37870-PD6-003	12022	—
Civic					
1991-1990	1.5L (D15B1) 91"		37870-PJ7-003	12029	—
1991-1988	1.5L (D15B2) 91"		37870-PJ7-003	12029	—
1991-1990	1.5L (D15B6) 91"		37870-PJ7-003	12029	—
1995-1992	1.5L (D15B7) 91"		37870-PJ7-003	12029	—
1995-1992	1.5L (D15B8) 91"		37870-PJ7-003	12029	—
1992	1.5L (D15Z1) 91"		37870-PJ7-003	12029	—
2000-1997	1.6L (B16A2) 97"		37870-PJ7-003	12029	—
1996-1995	1.6L (B16A3) 97"		37870-PJ7-003	12029	—
1999	1.6L (D16A2) 97"		37870-PJ7-003	12029	—

ENGINE COOLANT TEMPERATURE SENSORS

YEAR	ENGINE	FOOTNOTE	OE #	PART #	UNIV PART #
HONDA 4 CYL. Civic (Cont'd)					
1991-1988	1.6L (D16A6) 97"		37870-PJ7-003	12029	—
2000	1.6L (D16B5) 97"		37870-PJ7-003	12029	—
2000-1996	1.6L (D16Y5) 97"		37870-PJ7-003	12029	—
2000-1996	1.6L (D16Y7) 97"		37870-PJ7-003	12029	—
2000-1996	1.6L (D16Y8) 97"		37870-PJ7-003	12029	—
1995-1994	1.6L (D16Z3) 97"		37870-PJ7-003	12029	—
1995-1992	1.6L (D16Z6) 97"		37870-PJ7-003	12029	—
Civic CRX					
1984	1.3L (EV1) 82"		37870-PE0-661	12019	—
1988-1984	1.5L (EW1) 91"		37870-PE0-661	12019	—
Civic CRX HF					
1986	1.5L (EW1) 91"		37870-PE2-003	12020	—
1985	1.5L (EW1) 91"		37870-PE7-661	12021	—
Civic Si					
1988-1986	1.5L (D15B1,2,6,D15A2,3,EW1,4) 91"		37870-PE2-003	12020	—
DX3					
1984	1.3L (EV1) 82"		37870-PE0-661	12019	—
LX					
1988-1985	1.8L (ES2,3,ET2,A18A1)		37870-PE7-661	12021	—
Prelude					
1988-1985	1.8L (ES2,3,ET2,A18A1)	PGM-FI	37870-PD6-003	12022	—
1987-1983	1.8L (ES2,3,ET2,A18A1)	DX Models	37870-PD1-003	12019	—
1991-1988	2.0L (B20A3,5,B21A1,A20A1,3) 119"		37870-PJ7-003, 37870-PK2-005	12029	—
1996-1992	2.2L (F22A1) 134"		37870-PI7-003	12029	—
2001-1998	2.2L (H22A4) 134"		37870-PI7-003	12029	—
1997-1993	2.2L (H22A1) 134"		37870-PI7-003	12029	—
1996-1992	2.3L (H23A1) 140"		37870-PI7-003	12029	—
S2000					
2002-2000	2.0L (F20C1)	Located in Intake Mnfld	37870-PJ7-003	12029	—
6 CYL. Accord					
1997-1995	2.7L (C27A4) 160"	Located in Pump Housing	37870-PJ7-003	12029	—
HONDA TRUCK					
4 CYL. CR-V					
1998-1997	2.0L (B20B4) 122"		37870-PJ7-003	12029	—
2002-1999	2.0L (B20Z2) 122"		37870-PJ7-003	12029	—
Odyssey					
1997-1995	2.2L (F22B6) 134"		37870-PK2-005	12029	—
1998	2.3L (F23A7) 140"		37870-PK2-005	12029	—
Passport					
1996-1994	2.6L (4ZE1) 158"		8-12146312-0	12001	—
6 CYL. Odyssey					
2001-1999	3.5L (J35A1) 214"		37870-PK2-005	12029	—
2002	3.5L (J35A4) 214"		37870-PK2-005	12029	—
Passport					
2002-1994	3.2L (6VD1) 195"		8-12146312-0	12001	—
Pilot					
2003	3.5L (YF1) 214"		37870-PJ7-003	12029	—
HYUNDAI					
4 CYL. Accent					
1999-1996	1.5L (K) 90"		39220-22010	12041	—

ENGINE COOLANT TEMPERATURE SENSORS

YEAR	ENGINE	FOOTNOTE	OE #	PART #	UNIV PART #
HYUNDAI 4 CYL. (Cont'd)					
Elantra					
1996	1.6L (R) 97"	DOHC	39220-22010	12041	—
1995	1.6L (R) 97"	DOHC	39220-35520	12044	—
1994-1992	1.6L (R) 97"		39220-21320, 21330	12030	—
1998-1997	1.8L (M) 108"		39220-22010	12041	—
1996	1.8L (M) 108"	DOHC	39220-22010	12041	—
1994-1993	1.8L (M) 108"		39220-21320, 21330	12030	—
Elantra Wagon					
1999	2.0L (P) 122"		39220-22010	12041	—
Excel					
1994-1986	1.5L (J) 90"		39220-21320, 21330	12030	—
Scoupe					
1995-1994	1.5L (A) 90"	SOHC	39220-22010	12041	—
1992-1991	1.5L (J) 90"		39220-21320, 21330	12030	—
1995-1993	1.5L (N) 90"	12V	39220-22010	12041	—
1995-1993	1.5L (N) 90"	Turbo	39220-22010	12041	—
Sonata					
1994-1992	2.0L (F) 122"	DOHC	39220-21320, 21330	12030	—
1998-1995	2.0L (P) 122"		39220-35520	12044	—
1991-1989	2.4L (S) 143"		39220-21320, 21330	12030	—
Tiburon					
1998-1997	1.8L (M) 108"		39220-22010	12041	—
Tiburo FX					
1999-1997	2.0L (P) 122"		39220-22010	12041	—
6 CYL.					
Sonata					
1998-1995	3.0L (T) 183"		39220-35520	12044	—
1994-1990	3.0L (T) 183"		39220-21320, 21330	12030	—
INFINITI					
4 CYL.					
G20					
2001-1996	2.0L (C) 120"		22630-43Y00, 44B10, 44B20, 71L00	12053	—
1995-1990	2.0L (C) 122"		22630-51E00, V5010	12024	—
6 CYL.					
I30					
2001-1996	3.0L (C) 183"		22630-43Y00, 44B10, 71L00	12053	—
J30					
1995-1993	3.0L (H) 181"		22630-V5010	12024	—
1998-1996	3.0L (LE) 183"		22630-43Y00, 44B10, 44B20, 71L00	12053	—
M30					
1992-1990	3.0L (H) 181"		22630-01P01	12023	—
8 CYL.					
Q45					
2001-1997	4.1L (B) 250"		22630-44B10, 44B20, 43Y00, 71L00	12053	—
1996-1994	4.5L (1) 274"		22630-44B10, 44B20, 43Y00, 71L00	12053	—
1993-1990	4.5L (N) 274"	To 2/93	22630-51E00, V5010	12024	—
INFINITI TRUCK					
6 CYL.					
QX4					
2001-1997	3.3L (A) 201"		22630-43Y00, 44B10, 71L00	12053	—

ENGINE COOLANT TEMPERATURE SENSORS

YEAR	ENGINE	FOOTNOTE	OE #	PART #	UNIV PART #
ISUZU					
4 CYL.					
Impulse					
1992-1990	1.6L (6) 97"	DOHC	8-25036979-0	12001	—
1992-1991	1.8L (8) 110"		8-25036-979-0	12001	—
Impulse RS					
1992-1991	1.6L (4) 97"	DOHC,Turbo	8-25036-979-0	12001	—
Stylus					
1993-1990	1.6L (5) 97"	SOHC	8-25036-979-0	12001	—
1993-1991	1.8L (8) 110"		8-25036-979-0	12001	—
ISUZU TRUCK					
4 CYL.					
Amigo					
1989	2.0L (E/4ZE1) 158"		8-94205-866-0	12026	—
1993-1989	2.3L (L) 140"		8-94205-866-0	12026	—
1994-1990	2.6L (E4ZE1) 158"		8-94205-866-0	12026	—
Pickup					
1989-1988	2.0L (A/G200Z) 119"		8-94205-866-0	12026	—
1995-1987	2.3L (L/4ZD1) 140"		8-94205-866-0	12026	—
Rodeo					
1997-1996	2.6L (E) 158"		8-12146-312-0	12001	—
1995-1991	2.6L (E/4ZE1) 158"		8-94205-866-0	12026	—
Tropper II					
1987-1986	2.3L (L) 140"		8-94205-866-0	12026	—
1991-1988	2.6L (E/4ZE1) 158"		8-94205-866-0	12026	—
6 CYL.					
Amigo					
1999-1998	3.2L (V) 196"		8-12146-312-0	12001	—
1999-1998	3.2L (W/6VD1) 196"		8-12146-312-0	12001	—
2001-1999	3.5L (6VE1)		8-12146-312-0	12001	—
Axiom					
2002	3.5L (6VE1) 214"		8-15326386-0	12001	—
Hombre					
1997	4.3L (Z) 262"		8-25036-979-0	12001	—
Rodeo					
1998-1993	3.2L (V) 196"		8-12146-312-0, 8-25036-979-0	12001	—
2002-1998	3.2L (W) 196"		8-12146-312-0	12001	—
Trooper					
2002-2001	3.2L (V) 196"	SOHC,From 6/01	8-15326-386-0	12001	—
2001-1996	3.2L (V) 196"	SOHC,From 9/95 To 5/01	8-12146-312-0	12001	—
1995-1992	3.2L (V) 196"	SOHC,To 8/95	8-25036-979-0	12001	—
1997-1996	3.2L (W) 196"	DOHC,From 9/95 To 8/97	8-12146-312-0	12001	—
1995-1992	3.2L (W) 196"	DOHC,To 8/95	8-25036-979-0	12001	—
2002-1998	3.5L (X) 214"		8-12146-312-0	12001	—
Vehicross					
2001-1999	3.5L (6VE1) 214"		8-15326386-0	12001	—
JAGUAR					
6 CYL.					
XJ6					
1981-1978	4.2L (N) 258"		0-280-130-023	12026	—
XJR					
1997-1995	4.0L (AJ16) 242"		LNA 1600AA	12032	—
8 CYL.					
XJ8					
1999-1998	4.0L (AJ26) 242"		LNA 1600AA	12032	—
XK8					
1998-1997	4.0L (AJ26) 242"		LNA 1600AA	12032	—

ENGINE COOLANT TEMPERATURE SENSORS

YEAR	ENGINE	FOOTNOTE	OE #	PART #	UNIV PART #
JAGUAR (Cont'd)					
12 CYL.					
XJ12					
1996-1995	6.0L	366"	LNA 1600AA	12032	—
JEEP					
4 CYL.					
Cherokee					
1980	2.5L (B)	151"	8132906	—	12500
1990-1989	2.5L (E)	151"	8933002383	12038	—
2000-1997	2.5L (P)	150"	56027873	12060	—
1999-1997	2.5L (P)	150"	56027873, M56027873	12060	—
1996-1993	2.5L (P)	150"	33004281	12014	—
1992-1991	2.5L (P)	150"	33004281	12014	—
CJ Series					
1983-1981	2.5L (B)	151"	3241950, 8133450	—	12500
Comanche					
1980	2.5L (B)	151"	8132906	—	12500
1990-1989	2.5L (E)	151"	8933002383	12038	—
1992-1991	2.5L (P)	150"	33004281	12014	—
Liberty					
2003-2002	2.4L (1)	148"	56027873	12060	—
2003-2002	3.7L (K)	225"	56027873	12060	—
Wagoneer					
1980	2.5L (B)	151"	8132906	—	12500
1990-1989	2.5L (E)	151"	8933002383	12038	—
1992-1991	2.5L (P)	150"	33004281	12014	—
Wrangler					
1980	2.5L (B)	151"	8132906	—	12500
1990-1989	2.5L (E)	151"	8933002383	12038	—
2002-1997	2.5L (P)	150"	56027873	12060	—
1999-1998	2.5L (P)	150"	56027873, M56027873	12060	—
1996-1993	2.5L (P)	150"	33004281	12014	—
1992-1991	2.5L (P)	150"	33004281	12014	—
6 CYL.					
Cherokee					
1990-1989	4.0L (L)	242"	8933002383	12038	—
1988-1987	4.0L (M)	242"	8933002383	12038	—
2001-1997	4.0L (S)	242"	56027873	12060	—
1997-1991	4.0L (S)	242"	33004281	12014	—
1996-1991	4.0L (S)	242"	33004281	12014	—
Comanche					
1990-1989	4.0L (L)	242"	8933002383	12038	—
1988-1987	4.0L (M)	242"	8933002383	12038	—
1992-1991	4.0L (S)	242"	33004281	12014	—
Grand Cherokee					
2003-1997	4.0L (S)	242"	56027873	12060	—
1996-1993	4.0L (S)	242"	33004281	12014	—
Wagoneer					
1990-1989	4.0L (L)	242"	8933002383	12038	—
1988-1987	4.0L (M)	242"	8933002383	12038	—
Wrangler					
2003-1997	4.0L (S)	242"	56027873	12060	—
1996-1991	4.0L (S)	242"	33004281	12014	—
1988	4.2L (C)	258"	33004281	12014	—
1989	4.2L (M)	258"	33004281	12014	—
1990-1989	4.2L (T)	258"	33004281	12014	—

ENGINE COOLANT TEMPERATURE SENSORS

YEAR	ENGINE	FOOTNOTE	OE #	PART #	UNIV PART #
JEEP (Cont'd)					
8 CYL. Grand Cherokee					
2003-1999	4.7L (N) 285"		56027873	12060	—
1998-1993	5.2L (Y) 318"		56004815	12052	—
1998	5.9L (Z) 360"		56004815	12052	—
KIA					
4 CYL. Sephia					
1995-1993	1.6L (1) 97"	8V	OK01118840	12024	—
1997-1996	1.6L (4) 97"	DOHC	MB59318840A	12032	—
1996-1993	1.6L (4) 97"	16V	MB59318840A	12032	—
1997-1996	1.8L (5) 112"		MB59318840A	12032	—
KIA TRUCK					
4 CYL. Sportage					
1997-1995	2.0L (1,3) 122"	SOHC,DOHC	OK01118840	12024	—
LANCIA					
4 CYL. Beta					
1982-1980	2.0L 122"		0-280-130-023	12026	—
LAND ROVER					
8 CYL. Defender 110					
1993	3.9L (29G) 235"		ECT-8496	12048	—
Defender 90					
1996-1994	3.9L (35D, 36D) 235"		ECT-8496	12048	—
1997	4.0L (36D) 244"		ECT-8496	12048	—
Discovery					
1995-1994	3.9L (35D, 36D) 235"		ECT-8496	12048	—
1997-1996	4.0L (50D) 244"		ECT-8496	12048	—
Range Rover					
1988-1987	3.5L (31D) 215"		ECT-8496	12048	—
1992-1989	3.9L (38D) 235"		ECT-8496	12048	—
Range Rover Classic					
1995	4.2L (40D) 255"		ECT-8496	12048	—
Range Rover County					
1994-1993	3.9L (36D) 235"		ECT-8496	12048	—
Range Rover County LWB					
1994-1993	4.2L (42D) 255"		ECT-8496	12048	—
Range Rover HSE					
1997-1996	4.6L (46D) 278"		ECT-8496	12048	—
Range Rover SE					
1997-1995	4.0L (42D) 244"		ECT-8496	12048	—
LEXUS					
6 CYL. ES250					
1991-1990	2.5L (2VZ-FE) 153"		89422-20010	12032	—
ES300					
2002-1994	3.0L (1MZ-FE) 183"		89422-35010	12032	—
1993-1992	3.0L (3VZ-FE) 183"		89422-20010	12032	—
GS300					
1997-1993	3.0L (2JE-GE) 183"		89422-20010	12032	—
SC300					
1999-1992	3.0L (2JZ-GE) 183"		89422-20010	12032	—

ENGINE COOLANT TEMPERATURE SENSORS

YEAR	ENGINE	FOOTNOTE	OE #	PART #	UNIV PART #
LEXUS (Cont'd)					
8 CYL.					
LS400					
1997-1990	4.0L (1UZ-FE) 242"		89422-20010	12032	—
SC400					
1999-1992	4.0L (1UZ-FE) 242"		89422-20010	12032	—
LEXUS TRUCK					
6 CYL.					
LX450					
1997-1996	4.5L (1FZ-FE) 275"		89422-20010	12032	—
RX300					
2002-1998	3.0L (1MZ-FE) 180"		89422-35010	12032	—
8 CYL.					
LX470					
1999-1998	4.7L (2UZ-FE) 287"		89422-20010	12032	—
LINCOLN					
6 CYL.					
Continental					
1995-1988	3.8L (4) 232"		F2AF-12A648AA, F4AF-AA	12011	—
LS					
2000	3.0L (A) 242"		F3XA-12A648A	12024	—
8 CYL.					
Continental					
2002-1995	4.6L (V) 281"		F5AF-12A648AA	12045	—
1996	4.6L (V) 281"	w/Plastic Sensor	F2VF-12A648AA	12063	—
1987-1980	5.0L (F) 302"		E0AE-12A648AA, E0AZ-A, E1AF-AA, E4AF-AA, F1AF-BA	12011	—
Lincoln					
1980	5.8L (G) 351"		E0AE-12A648AA, E1AF-AA	12011	—
LS					
2004-2003	3.9L (A) 242"		F6SZ-12A648AA	12046	—
2001-2000	3.9L (A) 242"	For Oil Temp	F5AF-12A648AA	12045	—
2000	3.9L (A) 242"		F3XA-12A648A	12024	—
Mark					
1980	5.8L (G) 351"		E0AE-12A648AA, E1AF-AA	12011	—
Mark VI					
1983-1980	5.0L (F) 302"		E0AE-12A648AA, E0AZ-A, E1AF-AA, E4AF-AA, F1AF-BA	12011	—
Mark VII					
1987-1984	5.0L (F) 302"		E0AE-12A648AA, E0AZ-A, E1AF-AA, E4AF-AA, F1AF-BA	12011	—
1986-1985	5.0L (M) 302"	HO	E0AE-12A648AA, E0AZ-A, E1AF-AA, E4AF-AA, F1AF-BA	12011	—
Mark VIII					
1998-1995	4.6L (V) 281"		F5AF-12A648AA	12045	—
1996	4.6L (V) 281"	w/Plastic Sensor	F2VF-12A648AA	12063	—
1995-1993	4.6L (V) 281"		E4AF-12A648AA, F1AF-BA, F2AF-AA	12011	—
1992-1988	5.0L (E) 302"		E1AF-12A648AA, E4AF-AA	12011	—
Town Car					
1998-1996	4.6L (V) 281"		F5AF-12A648AA	12045	—
2003-1998	4.6L (W) 281"	Cylinder Head Temp	F65Z-6G004-AB	12064	—
1996	4.6L (W) 281"	w/Plastic Sensor	F2VF-12A648AA	12063	—
1995-1991	4.6L (W) 281"		E4AF-12A648AA, F1AF-BA, F2AF-AA	12011	—
1995	4.6L (W) 281"		F5AF-12A648AA	12045	—
1991-1981	5.0L (F) 302"	Incl.E.E.C.	E0AE-12A648AA, E0AZ-A, E1AF-AA, E1AZ-A, E4AF-AA	12011	—

ENGINE COOLANT TEMPERATURE SENSORS

YEAR	ENGINE	FOOTNOTE	OE #	PART #	UNIV PART #
LINCOLN TRUCK					
8 CYL.					
Aviator					
2004-2003	4.6L (H) 281"		F5AF-12A648AA	12045	—
Blackwood					
2004-2003	5.4L (A) 330"		F5AF-12A648AA	12045	—
Navigator					
2004-1998	5.4L (A) 330"		F5AF-12A648AA	12045	—
MAZDA					
ROTOR					
RX7					
1992-1986	1.3L (13B) 80"	Rotor	8574-18-840	12024	—
4 CYL.					
323					
1992-1986	1.6L (B6) 98"		8574-18-840	12024	—
1989-1988	1.6L (B6) 98"	Turbo	8574-18-840	12024	—
1994-1990	1.6L (B6A) 98"		8574-18-840	12024	—
1994-1990	1.8L (BP) 112"		8574-18-840	12024	—
323S					
1995	1.6L (B6) 98"		8574-18-840	12024	—
1995	1.8L (BP) 112"		8574-18-840	12024	—
626					
1997-1994	2.0L (C) 121"	MT	B593-18-840A	12032	—
1987-1986	2.0L (FE) 121"		8574-18-840	12024	—
1985-1983	2.0L (FE) 121"	Exc.Diesel	8574-18-840	12024	—
1999-1998	2.0L (FS) 121"		FSB9-18-840	12046	—
1997-1996	2.0L (FS) 121"	AT	FSB9-18-840	12046	—
1996-1994	2.0L (FS) 121"	Position 1	FS18-18-840	12039	—
1994-1993	2.0L (FS) 121"		B3C8-18-840	12024	—
2002-2000	2.0L (FSDE) 121"		FSB9-18-840	12046	—
1992-1990	2.2L (F2) 134"	Turbo	8574-18-840	12024	—
1989-1987	2.2L (F20) 134"	Non Turbo	8574-18-840	12024	—
1989-1987	2.2L (F22) 134"	Turbo	8574-18-840	12024	—
GLC					
1985-1983	1.5L (D5) 90"		8574-18-840	12024	—
Miata					
1993-1990	1.6L (B6) 98"		8574-18-840	12024	—
1997-1994	1.8L (BP) 112"		B593-18-840A	12032	—
MX3					
1993-1992	1.6L (B6) 98"		8574-18-840	12024	—
1995-1994	1.6L (B6E) 98"		B593-18-840A	12032	—
1995-1994	1.8L (BP) 112"		B593-18-840A	12032	—
1993-1992	1.8L (BP) 112"		B3C8-18-840	12032	—
MX5					
1993-1990	1.6L (B6) 98"		8574-18-840	12024	—
1997-1994	1.8L (BP) 112"		B593-18-840A	12032	—
MX6					
1997-1994	2.0L (C) 121"	MT	B593-18-840A	12032	—
1997-1996	2.0L (FS) 121"	AT	FSB9-18-840	12046	—
1996-1994	2.0L (FS) 121"	Position 1	FS18-18-840	12039	—
1994-1993	2.0L (FS) 121"		B3C8-18-840	12024	—
1992-1990	2.2L (F2) 134"	Turbo	8574-18-840	12024	—
1989-1987	2.2L (F20) 134"	Non Turbo	8574-18-840	12024	—
1989-1987	2.2L (F22) 134"	Turbo	8574-18-840	12024	—

ENGINE COOLANT TEMPERATURE SENSORS

YEAR	ENGINE	FOOTNOTE	OE #	PART #	UNIV PART #
MAZDA 4 CYL. (Cont'd)					
Protégé					
1996-1994	1.5L (Z5) 90"		B593-18-840A	12032	—
1994-1990	1.6L (B6A) 98"		8574-18-840	12024	—
2001-2000	1.6L (B6ZE) 98"		B593-18-840A	12032	—
1996-1995	1.8L (BP) 112"		B593-18-840A	12032	—
1994-1990	1.8L (BP) 112"		8574-18-840	12024	—
2000	1.8L (BPZE) 112"		B593-18-840A	12032	—
2002-2001	2.0L (B) 122"		B593-18-840A	12032	—
Protégé S					
1995	1.6L (B6) 98"		8574-18-840	12024	—
1995	1.8L (BP) 112"		8574-18-840	12024	—
6 CYL.					
626					
1999-1998	2.5L (D) 153"		FSB9-18-840	12046	—
1997-1994	2.5L (KL) 153"		B593-18-840A	12032	—
1994-1993	2.5L (KL) 153"		B3C8-18-840	12032	—
2002-2000	2.5L (KLZE) 153"		FSB9-18-840	12046	—
929					
1991-1988	3.0L (JE) 180"		8574-18-840	12024	—
Millenia					
2002-1995	2.3L (KJ) 140"		B593-18-840	12032	—
2002-1995	2.5L (KL) 153"		B593-18-840	12032	—
MX6					
1997-1994	2.5L (KL) 153"		B593-18-840A	12032	—
1994-1993	2.5L (KL) 153"		B3C8-18-840	12032	—
MAZDA TRUCK					
4 CYL.					
B2000					
1991-1986	2.0L (FE) 122"		8574-18-840	12024	—
B2200					
1993-1992	2.2L (3) 133"	Located at Engine	B3C8-18-840	12032	—
1991-1987	2.2L (F2) 133"	To 1/91	8574-18-840	12024	—
1993-1992	2.2L (F2G) 133"	FI	B3C8-18-840	12032	—
B2300					
2002	2.3L (A) 140"		ZZM1-18-707	12045	—
1997-1995	2.3L (A) 140"		ZZM1-18-707	12045	—
1994	2.3L (A) 140"		ZZM0-18-707	12011	—
B2500					
2001-1998	2.5L (C) 153"		ZZM1-18-707	12045	—
B2600					
1991-1989	2.6L (4) 159"	To 1/91	8574-18-840	12032	—
MPV					
1990-1989	2.6L (G6) 159"		8574-18-840	12024	—
6 CYL.					
B3000					
2002-1995	3.0L (U) 182"		ZZM1-18-707	12045	—
1994	3.0L (U) 182"		ZZM0-18-707	12011	—
B4000					
2002-2001	4.0L (X) 241"		1F22-18-840	12065	—
2000-1995	4.0L (X) 241"		ZZM1-18-707	12045	—
1994	4.0L (X) 241"		ZZM0-18-707	12011	—
MPV					
1998-1992	3.0L (JE) 180"		B3C8-18-840	12032	—
1991-1988	3.0L (JE) 180"		8574-18-840	12024	—
Navajo					
1994-1991	4.0L (X) 241"		ZZLO-18-707	12011	—

ENGINE COOLANT TEMPERATURE SENSORS

YEAR	ENGINE	FOOTNOTE	OE #	PART #	UNIV PART #
MERCURY					
4 CYL.					
Capri					
1994-1991	1.6L (6) 98"	Turbo	E8GY-12A648A	12024	—
1986-1982	2.3L (A) 140"		E1AF-12A648AA, E4AF-AA	12011	—
1984-1983	2.3L (T) 140"	Turbo	E1AF-12A648AA, E4AF-AA	12011	—
Cougar					
2002-1999	2.0L (3) 122"	w/OE #	F5AF-12A648AA	12045	—
1999	2.0L (3) 122"		F5AF-12A648AA	12045	—
1986-1982	2.3L (W) 140"	Turbo	E1AF-12A648AA, E4AF-AA	12011	—
LN7					
1983	1.6L (5) 98"	MPI	E4AF-12A648AA, F1AF-AA	12011	—
Lynx					
1985-1983	1.6L (5) 98"	EFI	E1AF-AA, E4AF-AA	12011	—
1985-1984	1.6L (8) 98"	Turbo	E4AF-12A648AA, F1AF-AA	12011	—
1987-1986	1.9L (9) 116"		E1AF-12A648AA, E4AF-AA	12011	—
Marquis					
1986-1983	2.3L (A) 140"		E1AF-12A648AA, E4AF-AA	12011	—
Mystique					
2000-1996	2.0L (3) 122"		F5AF-12A648AA	12045	—
Sable					
1986	2.5L (D) 153"		E4AF-AA	12011	—
Topaz					
1984	2.3L (R) 140"	Carb	E1AF-12A648AA, E4AF-AA	12011	—
1992-1985	2.3L (S) 140"		E1AF-12A648AA, E4AF-AA	12011	—
1994-1985	2.3L (X) 140"	MFI	E0AE-AA, E1AF-AA, E1AZ-A, E4AF-AA, E6DZ-A, F1AF-BA, F2AF-AA, F2AZ-A	12011	—
Tracer					
1989-1988	1.6L (5) 98"		E8GY-12A648A	12024	—
1996-1991	1.8L (8) 112"		E8GY-12A648A	12024	—
1996	1.9L (J) 116"		F5AF-12A648AA	12045	—
1995-1991	1.9L (J) 116"		E1AF-AA, E4AF-AA, E2AF-AA,	12011	—
1999	2.0L (3) 122"		F5AF-12A648AA	12045	—
1998-1997	2.0L (P) 122"		F5AF-12A648AA	12045	—
6 CYL.					
Capri					
1986-1984	3.8L (3) 232"		E0AE-12A648AA, E1AF-AA, E4AF-AA, F1AF-BA	12011	—
Cougar					
2002-2001	2.5L (G) 153"		F5AF-12A648AA	12045	—
2002-1999	2.5L (L) 153"		F5AF-12A648AA	12045	—
1999	2.5L (L) 153"		F5AF-12A648AA	12045	—
1987-1984	3.8L (3) 232"		E0AE-12A648AA, E1AF-AA, E4AF-AA, F1AF-BA	12011	—
1997-1996	3.8L (4) 232"		F5AF-12A648AA	12045	—
1995-1988	3.8L (4) 232"		E0AE-AA, E1AF-AA, E1AZ-A, E4AF-AA, E6DZ-A, F1AF-BA, F2AF-AA, F2AZ-A	12011	—
1992-1989	3.8L (R) 232"	SC	E4AF-12A648AA	12011	—
Marquis					
1986-1984	3.8L (3) 232"		E0AE-12A648AA, E1AF-AA, E4AF-AA, F1AF-BA	12011	—
Mystique					
2000-1996	2.5L (L) 183"		F5AF-12A648AA	12045	—

ENGINE COOLANT TEMPERATURE SENSORS

YEAR	ENGINE	FOOTNOTE	OE #	PART #	UNIV PART #
MERCURY 6 CYL. (Cont'd)					
Sable					
2002-2001	3.0L (S) 182"		1L2A-12A648AA	12065	—
2000-1996	3.0L (S) 183"	DOHC,24V	F5AF-12A648AA	12045	—
1999-1996	3.0L (U) 183"	SOHC,12V	F5AF-12A648AA	12045	—
1995-1986	3.0L (U) 182"		E1AF-AA, E4AF-AA, F1AF-BA, F2AF-AA	12011	—
1995-1988	3.8L (4) 232"		E0AE-AA, E1AF-AA, E1AZ-A, E4AF-AA, E6DZ-A, F1AF-BA, F2AF-AA, F2AZ-A	12011	—
Topaz					
1994-1992	3.0L (U) 182"		E1AF-12A648AA, E4AF-AA, F1AF-BA, F2AF-AA	12011	—
8 CYL.					
Capri					
1986-1984	5.0L (F,M) 302"		E0AE-12A648AA, E1AF-AA, E4AF-AA, F1AF-BA, F2AF-AA	12011	—
Cougar					
1997-1996	4.6L (W) 281"		F5AF-12A648AA	12045	—
1988-1986	5.0L (F) 302"		E0AE-12A648AA, E1AF-AA, E4AF-AA, F1AF-BA, F2AF-AA	12011	—
1985-1983	5.0L (F) 302"	CFI	E0AE-12A648AA, E1AF-AA, E4AF-AA, F1AF-BA, F2AF-AA	12011	—
1993-1991	5.0L (T) 302"		E4AF-12A648AA	12011	—
Grand Marquis					
1997-1996	4.6L (6) 281"		F5AF-12A648AA	12045	—
2003-1998	4.6L (9) 281"	Cylinder Head Temp	F65Z-6G004AB	12064	—
1997	4.6L (9) 281"	CNG,SOHC	F5AF-12A648AA	12045	—
2003-1998	4.6L (W) 281"	Cylinder Head Temp	F65Z-6G004AB	12064	—
1997-1995	4.6L (W) 281"		F5AF-12A648AA	12045	—
1994-1992	4.6L (W) 281"		E4AF-AA, F2AF-AA	12011	—
1991-1986	5.0L (F) 302"		E0AE-AA, E1AF-AA, E1AZ-A, E4AF-AA, E6DZ-A, F1AF-BA, F2AF-AA, F2AZ-A	12011	—
1985-1983	5.0L (F) 302"	CFI	E0AE-12A648AA, E1AF-AA, E4AF-AA, F1AF-BA, F2AF-AA	12011	—
Marquis					
1985-1984	5.0L (F) 302"		E0AE-12A648AA, E1AF-AA, E4AF-AA, F1AF-BA, F2AF-AA	12011	—
MERCURY TRUCK					
6 CYL.					
Monterey					
2004	3.8L 232"		F5AF-12A648AA	12045	—
2004	3.9L (A) 242"		F5AF-12A648AA	12045	—
2004	4.2L (2) 256"		F5AF-12A648AA	12045	—
Mountaineer					
2003-1998	4.0L (E) 181"	w/OE #	F77F-12A648AA	12046	—
1997	4.0L (E) 181"		F5AF-12A648AA	12045	—
2003-2002	4.0L (K)	w/OE #	1L2A-12A648AA	12065	—
Villager					
2002-1998	3.0L (W) 181"	In Heater Core	F2AF-12A648AA	12011	—
1998-1993	3.0L (W) 181"		F3XA-12A648AA	12063	—
2002-1999	3.3L (T) 201"		F3XA-12A648AA	12063	—
8 CYL.					
Mountaineer					
2003-2002	4.6L (W) 281"		F65Z-6G004AB	12064	—
1998-1997	5.0L (P) 302"		F5AF-12A648AA	12045	—

ENGINE COOLANT TEMPERATURE SENSORS

YEAR	ENGINE	FOOTNOTE	OE #	PART #	UNIV PART #
MERKUR					
4 CYL.					
XR4Ti					
1989-1985	2.3L (W) 140"		E1AZ-12A648A	12011	—
6 CYL.					
Scorpio					
1990-1988	2.9L (V) 177"		E1AZ-12A648A	12011	—
mitsubishi					
4 CYL.					
Cordia					
1988-1984	1.8L (D) 109"	Turbo	MD069879	12030	—
1984	1.8L (D) 109"	Early Design	MDO82430	12031	—
1987-1984	2.0L (D) 122"		MD069879	12030	—
Eclipse					
1994-1991	1.8L (B) 107"		MD069879	12030	—
1994-1990	1.8L (D,T) 107"		MD069879	12030	—
1994-1993	2.0L (E) 122"		MD069879	12030	—
1995	2.0L (F) 122"	Turbo	M33004281	12014	—
1994-1993	2.0L (F) 122"	Turbo	MD069879	12030	—
1992-1990	2.0L (R) 122"		MD069879	12030	—
1993-1990	2.0L (R,U) 122"		MD069879	12030	—
1996	2.0L (Y) 122"		M33004281	12014	—
Eclipse GS					
1999	2.0L 122"	DOHC	56027873, M56027873	12060	—
Eclipse RS					
1999	2.0L 122"	DOHC	56027873, M56027873	12060	—
Expo					
1995-1993	1.8L (C) 112"	Incl.4WD,LRV	MD177572	12055	—
1995-1993	2.4L (G) 146"	Incl.4WD,LRV	MD177572	12055	—
1995-1993	2.4L (G) 146"	Incl.4WD	MD177572	12055	—
Galant					
1993	2.0L (E) 122"	DOHC	MD069879	12030	—
1992-1989	2.0L (R) 122"	DOHC	MD069879	12030	—
1992-1991	2.0L (U) 122"	VR4,DOHC,Turbo,AWD	MD069879	12030	—
1992-1989	2.0L (V) 122"	SOHC	MD069879	12030	—
Mirage					
1998-1997	1.5L (A) 90"		MD177572	12055	—
1996-1993	1.5L (A) 90"		MD149338	12044	—
1992-1990	1.5L (J) 90"		MD069879	12030	—
1989-1985	1.5L (K) 90"		MD069879	12030	—
1988-1985	1.6L (F) 98"	Turbo	MD069879	12030	—
1992-1990	1.6L (Y) 98"		MD069879	12030	—
1989	1.6L (Z) 98"	Turbo	MD069879	12030	—
1998-1993	1.8L (C) 112"		MD177572	12055	—
Precis					
1994-1990	1.5L (J) 90"		39220-21330	12030	—
1989-1987	1.5L (K) 90"		39220-21330	12030	—
Starion					
1987-1984	2.6L (H) 156"		MD069879	12030	—
1989-1985	2.6L (N) 156"		MD069879	12030	—
Tredia					
1988-1984	1.8L (D) 109"	Turbo	MD069879	12030	—
1984	1.8L (D) 109"	Early Design	MDO82430	12031	—
1987-1984	2.0L (D) 122"		MD069879	12030	—

ENGINE COOLANT TEMPERATURE SENSORS

YEAR	ENGINE	FOOTNOTE	OE #	PART #	UNIV PART #
mitsubishi (Cont'd)					
6 CYL.					
3000GT					
1992-1991	3.0L (B) 181"	DOHC	MD149338	12044	—
1992-1991	3.0L (C) 181"	Turbo	MD149338	12044	—
1993	3.0L (H) 181"	SOHC	MD069879	12030	—
1993	3.0L (J) 181"	DOHC	MD149338	12044	—
1993	3.0L (K) 181"	Turbo	MD149338	12044	—
Diamante					
1993-1992	3.0L (B) 181"	DOHC	MD149338	12030	—
1993-1992	3.0L (S) 181"	SOHC	MD149338	12044	—
Sigma					
1990-1989	3.0L (S) 181"		MD069879	12030	—
MITSUBISHI TRUCK					
4 CYL.					
Expo					
1992-1991	2.4L (G) 144"		MD149338	12044	—
Expo LRV					
1993-1992	1.8L (C) 107"	Exc.Cal.	MD149338	12044	—
Montero					
1989-1985	2.6L (E) 156"		MD069879	12030	—
Pickup					
1989-1987	2.0L (D) 122"		MD069879	12030	—
1995-1993	2.4L (G) 144"	Cal.,Longbed	MD149338	12044	—
1995-1992	2.4L (G,L) 144"	Cal.	MD149338	12044	—
1995-1993	2.4L (W) 143"	Exc.Cal.	MD069879	12030	—
1992-1990	2.4L (W) 143"		MD069879	12030	—
1989-1987	2.6L (E) 156"		MD069879	12030	—
6 CYL.					
Montero					
1994-1993	3.0L (H) 181"		MD149338	12044	—
1992-1991	3.0L (S) 181"		MD149338	12044	—
1991-1989	3.0L (S) 181"		MD069879	12030	—
2001	3.5L (M) 215"		MD069879	12030	—
1994	3.5L (M) 215"		MD149338	12044	—
Pickup					
1995-1993	3.0L (H) 181"	4WD	MD149338	12044	—
1992-1991	3.0L (S) 181"	4WD	MD149338	12044	—
1990-1989	3.0L (S) 181"		MD069879	12030	—
NISSAN					
4 CYL.					
200SX					
1998-1995	1.6L (GA16DE) 97"		22630-44B20	12053	—
1988-1986	1.8L (CA-Series) 110"		22630-V5010, 51E00	12024	—
1986-1985	1.8L (CA-Series) 110"		22630-N4200	12026	—
1998-1995	2.0L (B) 120"		22630-43Y00, 44B10, 71L00	12053	—
1988-1985	2.0L (CA20) 120"		22630-V5010, 51E00	12024	—
1985-1982	2.0L (CA20) 120"		22630-N4200	12026	—
1981-1980	2.0L (Z20) 120"		22630-N4200	12026	—
240SX					
1998-1995	2.4L (A) 146"		22630-43Y00, 44B10, 71L00	12053	—
1995-1989	2.4L (KA24) 146"		22630-51E00	12024	—
810					
1982-1981	2.4L (Z24) 146"	At Cylinder Head	22630-P8100	12025	—
Altima					
2001-1995	2.4L (KA24) 146"	JECS Unit	22630-43Y00, 44B10, 71L00	12053	—
1994-1993	2.4L (KA24) 146"	JECS	22630-51E00	12024	—

ENGINE COOLANT TEMPERATURE SENSORS

YEAR	ENGINE	FOOTNOTE	OE #	PART #	UNIV PART #
NISSAN 4 CYL. (Cont'd)					
Axxess					
1992-1990	2.4L (KA24) 146"		22630-V5010, 51E00	12024	—
NMX Sentra					
1998	2.0L (B) 120"		22630-43Y00, 44B10, 71L00	12053	—
NX					
1994-1991	2.0L (G) 120"		22630-51E00	12024	—
Pulsar					
1984-1983	1.5L 90"	Turbo	22630-51E00	12024	—
1990-1983	1.6L (GA16i) 97"		22630-51E00	12024	—
Pulsar NX					
1994-1983	1.6L (E16i,E16) 97"		22630-N4200	12026	—
1990-1987	1.6L (GA16i) 97"		22630-V5010, N4200	12026	—
1989-1987	1.8L (CA-Series) 110"		22630-V5010	12024	—
Sentra					
1988-1982	1.6L (E16i) 97"		22630-N4200	12026	—
1999-1995	1.6L (GA16DE) 97"		22630-44B20	12053	—
1994-1989	1.6L (GA16DE) 97"		22630-V5010, 51E00	12024	—
1985-1982	1.7L (CD) 102"		22630-N4200	12026	—
2002-2000	1.8L (QC18DE) 107"		22630-71L00	12053	—
1998-1995	2.0L (B) 120"		22630-43Y00, 44B10, 71L00	12053	—
1994-1991	2.0L (G) 120"		22630-51E00	12024	—
2002-1995	2.0L (SR20DE) 120"		22630-44B20	12053	—
Stanza					
1985-1983	2.0L (CA20) 120"		22630-N4200	12026	—
1993-1986	2.0L (CA20) 120"		22630-V5010, 51E00	12024	—
1992-1991	2.4L (KA24,KA24E) 146"		22630-51E00	12024	—
Stanza Wagon					
1988	2.0L (CA20E) 120"		22630-V5010, 51E00	12024	—
6 CYL.					
200SX					
1988	3.0L (VG30) 181"		22630-01P01	12023	—
280Z					
1979-1975	2.8L (L28) 168"		22630-N4200	12026	—
280ZX					
1983-1979	2.8L (L28) 168"	At Cylinder Head	22630-P8100	12025	—
300ZX					
1998-1996	3.0L (C) 181"	Turbo	22630-43Y00, 44B10, 71L00	12053	—
1996	3.0L (R) 181"		22630-43Y00, 44B10, 71L00	12053	—
1995-1990	3.0L (VG30) 181"		22630-51E00	12024	—
1989-1983	3.0L (VG30) 181"		22630-01P01	12023	—
Maxima					
1994-1990	3.0L (VG30) 181"		22630-51E00	12024	—
1989-1985	3.0L (VG30) 181"		22630-01P01	12023	—
2001-1994	3.0L (VQ30DE) 181"		22630-44B10, 44B20, 43Y00, 71L00	12053	—
NISSAN TRUCK					
4 CYL.					
Frontier					
2002-1998	2.4L (KA24DE) 146"		22630-0M200	12053	—
Pathfinder					
1986-1983	2.4L (Z24) 146"		22630-V5010, 51E00	12024	—
Pickup					
1997-1996	2.4L (Z24) 146"		22630-43Y00, 44B10, 71L00	12053	—
1995-1983	2.4L (Z24) 146"		22630-V5010, 51E00	12024	—
1985-1983	2.4L (Z24) 146"		22630-N4200	12026	—

ENGINE COOLANT TEMPERATURE SENSORS

YEAR	ENGINE	FOOTNOTE	OE #	PART #	UNIV PART #
NISSAN TRUCK 4 CYL. (Cont'd)					
Van					
1989-1987	2.4L (Z24) 146"		22630-V5010, 51E00	12024	—
Xterra					
2002-2000	2.4L (KA24DE) 146"		22630-71L00	12053	—
6 CYL.					
Frontier					
2002-1999	3.3L (VG33E) 201"		22630-0M200	12053	—
Pathfinder					
1995-1990	3.0L (VG30) 181"		22630-51E00	12024	—
1989-1987	3.0L (VG30) 181"		22630-01P01	12023	—
2000-1996	3.3L (VG33E) 201"		22630-43Y00, 44B10, 71L00	12053	—
2002-2001	3.5L		22630-71L00	12053	—
Pickup					
1995-1990	3.0L (VG30) 181"		22630-51E00	12024	—
1992-1986	3.0L (VG30) 181"		22630-01P01	12023	—
Quest					
1995-1993	3.0L (VG30) 181"		22630-51E00	12024	—
1998-1996	3.0L (VG30E) 181"		22630-0M200	12053	—
2001-1999	3.3L (VG33E) 201"		22630-0M200	12053	—
Van					
1988-1985	3.0L (VG30) 181"		22630-V5010, 51E00	12024	—
Xterra					
2002-2000	3.3L (VG33E) 201"		22630-71L00	12053	—
OLDSMOBILE					
4 CYL.					
Achieva					
1994-1992	2.3L (3) 140"		12146312	12001	12500
1994-1992	2.3L (A) 140"		12146312, 25036979	12001	12500
1995-1992	2.3L (D) 140"		12146312, 25036979	12001	12500
1998-1996	2.4L (T) 146"		12146312	12001	12500
Alero					
2003-2002	2.2L (F) 135"		15369305	12027	—
2001-1999	2.4L (T) 146"		12146312	12001	12500
Calais					
1994-1992	2.3L (3) 140"		25036979	12001	12500
1987	2.3L (D) 138"		12146312	12001	12500
1991-1985	2.5L (U) 151"		25036979	12001	12500
Cutlass					
1996-1994	2.2L (4) 135"		10096181	12062	—
1990	2.3L (A) 140"		12146312, 25036979	12001	12500
1991-1990	2.3L (D) 140"		12146312, 25036979	12001	12500
1992-1985	2.5L (R) 151"		12146312, 25036979	12001	12500
1989-1986	2.5L (R) 151"	Ciera SL	12146312	12001	12500
Cutlass Calais					
1991-1989	2.3L (A) 140"		25036979	12001	12500
1991-1987	2.3L (D) 140"		25036979	12001	12500
1991-1988	2.5L (U) 151"		12146312	12001	12500
Cutlass Ciera					
1992-1991	2.5L (R) 151"	Cruiser S	12146312	12001	12500
1992-1986	2.5L (R) 151"		12146312	12001	12500
1991-1986	2.5L (R) 151"	S Models	12146312	12001	12500
1990-1985	2.5L (R) 151"	Cruiser	12146312	12001	12500
1989	2.5L (R) 151"	Cruiser SL	12146312	12001	12500
1988-1987	2.5L (R) 151"	Cruiser Brougham	12146312	12001	12500
1988-1985	2.5L (R) 151"	Brougham	12146312	12001	12500
1985	2.5L (R) 151"	LS Models	12146312	12001	12500

ENGINE COOLANT TEMPERATURE SENSORS

YEAR	ENGINE	FOOTNOTE	OE #	PART #	UNIV PART #
OLDSMOBILE 4 CYL. (Cont'd)					
Cutlass Cruiser					
1995-1994	2.2L (4) 135"		10096181	12062	—
1992	2.5L (R) 151"		12146312	12001	12500
Cutlass Supreme					
1990	2.3L (A) 140"	International	12146312	12001	12500
1990	2.3L (A) 140"		12146312	12001	12500
1991-1990	2.3L (D) 138"		12146312	12001	12500
Firenza					
1986-1985	1.8L (O) 111"		25036979	12001	12500
1984-1982	1.8L (O) 111"		10045847	—	12500
1988-1987	2.0L (1) 121"		25036979	12001	12500
1988-1982	2.0L (K) 121"		25036979	12001	12500
1986-1985	2.0L (P) 122"		12146312	12001	12500
Omega					
1981	2.5L (5) 151"		25036092	—	12500
1980	2.5L (5) 151"	Cal.	8993298	—	12500
1984-1981	2.5L (R) 151"		10045847	—	12500
Starfire					
1980	2.5L (V) 151"	Cal.	8993298	—	12500
6 CYL.					
98					
1981	3.8L (A) 231"		10045847	—	12500
1981	4.1L (4) 252"		25036092	—	12500
98 Regency					
1985	3.0L (E) 181"		10045847	—	12500
1995-1994	3.8L (1) 231"	Elite	12146312	12001	12500
1995-1992	3.8L (1) 189"		25036979	12001	12500
1993-1992	3.8L (1) 231"	Touring	12146312	12001	12500
1987	3.8L (3) 231"		12146312	12001	12500
1985	3.8L (3) 231"		10045847	—	12500
1987-1986	3.8L (A) 231"	w/U52 Option	25036979	12001	12500
1986	3.8L (B) 231"		12146312	12001	12500
1989	3.8L (C) 231"		25036979	12001	12500
1994-1990	3.8L (L) 231"		25036979	12001	12500
1985	4.3L (T) 260"		12146312	12001	12500
Achieva					
1998-1994	3.1L (M) 189"		12146312	12001	12500
1996	3.1L (M) 189"	3 Blade	10096181	12062	—
1993-1992	3.3L (N) 204"		12146312, 25036979	12001	12500
Alero					
2004-1999	3.4L (E) 207"		12146312	12001	12500
Aurora					
2003-2001	3.5L (H) 214"		12146312	12001	12500
Calais					
1987-1985	3.0L (L) 181"		12146312	12001	12500
1988	3.8L (3) 231"		25036979	12001	12500
Ciera					
1989-1985	2.8L (W) 173"		25036979	12001	12500
1986-1985	2.8L (X) 173"		25036979	12001	12500
1984-1982	3.0L (E) 181"		10045847	—	12500
1995	3.1L (M) 189"	SL,Cruiser SL	12146312	12001	12500
1988	3.8L (3) 231"	w/U52 Option	25036979	12001	12500

ENGINE COOLANT TEMPERATURE SENSORS

YEAR	ENGINE	FOOTNOTE	OE #	PART #	UNIV PART #
OLDSMOBILE 6 CYL. (Cont'd)					
Cutlass					
1989-1988	2.8L (W) 173"		12146312, 25036979	12001	12500
1986	2.8L (X) 173"	Ciera SL	12146312	12001	12500
1999	3.1L (M) 189"		12146312	12001	12500
1997-1996	3.1L (M) 189"		10096181	12062	—
1997	3.1L (M) 189"	GLS Models	12146312	12001	12500
1997	3.1L (M) 189"		12146312	12001	12500
1994	3.1L (M) 189"	Ciera SL	12146312	12001	12500
1993-1989	3.1L (T) 189"		12146312, 25036979	12001	12500
1993-1989	3.3L (N) 204"		12146312, 25036979	12001	12500
1993-1989	3.3L (N) 204"	Ciera SL	12146312	12001	12500
1996-1991	3.4L (X) 207"		12146312, 25036979	12001	12500
1988-1987	3.8L (3) 231"	Ciera SL	12146312	12001	12500
1987-1985	3.8L (A) 231"	Salon	12146312	12001	12500
1981-1979	3.8L (A) 231"	Cal.	8993298	—	12500
1980	3.8L (A) 231"	w/Closed Loop	25036092	—	12500
Cutlass Calais					
1988	3.0L (L) 181"		12146312	12001	12500
Cutlass Ciera					
1989-1986	2.8L (W) 173"	Cruiser	12146312	12001	12500
1989-1986	2.8L (W) 173"		12146312	12001	12500
1989	2.8L (W) 173"	Cruiser SL	12146312	12001	12500
1988-1987	2.8L (W) 173"	Cruiser Brougham	12146312	12001	12500
1988-1986	2.8L (W) 173"	Brougham	12146312	12001	12500
1987-1986	2.8L (W) 173"	S Models	12146312	12001	12500
1986-1985	2.8L (X) 173"	Brougham	12146312	12001	12500
1986-1985	2.8L (X) 173"	Cruiser	12146312	12001	12500
1986	2.8L (X) 173"		12146312	12001	12500
1985	2.8L (X) 173"	LS Models	12146312	12001	12500
1985	3.0L (E) 181"	Cruiser	12146312	12001	12500
1985	3.0L (E) 181"	LS Models	12146312	12001	12500
1985	3.0L (E) 181"	Brougham	12146312	12001	12500
1994-1990	3.1L (M) 189"	S Models	12146312	12001	12500
1994	3.1L (M) 189"	Cruiser S	12146312	12001	12500
1993-1991	3.3L (N) 204"	Cruiser S	12146312	12001	12500
1993-1989	3.3L (N) 204"	Cruiser SL	12146312	12001	12500
1992-1989	3.3L (N) 204"		12146312	12001	12500
1990-1989	3.3L (N) 204"	International	12146312	12001	12500
1990-1989	3.3L (N) 204"	Cruiser	12146312	12001	12500
1988-1987	3.8L (3) 231"	Cruiser	12146312	12001	12500
1988-1987	3.8L (3) 231"	Brougham	12146312	12001	12500
1988-1987	3.8L (3) 231"	Cruiser Brougham	12146312	12001	12500
1988-1986	3.8L (3) 231"		12146312	12001	12500
1988	3.8L (3) 231"	International	12146312	12001	12500
1987-1986	3.8L (3) 231"	S Models	12146312	12001	12500
1985	3.8L (3) 231"	Brougham	12146312	12001	12500
1985	3.8L (3) 231"	Cruiser	12146312	12001	12500
1985	3.8L (3) 231"	LS Models	12146312	12001	12500
1985	4.3L (T) 260"	LS Models	12146312	12001	12500
1985	4.3L (T) 260"	Cruiser	12146312	12001	12500
1985	4.3L (T) 260"	Brougham	12146312	12001	12500
Cutlass Ciera A Body					
1996	3.1L (M) 189"		10096181	12062	—
1995-1994	3.1L (M) 189"		12146312	12001	12500

ENGINE COOLANT TEMPERATURE SENSORS

YEAR	ENGINE	FOOTNOTE	OE #	PART #	UNIV PART #
OLDSMOBILE 6 CYL. (Cont'd)					
Cutlass Cruiser					
1995-1994	3.1L (M) 189"		12146312	12001	12500
1993-1992	3.3L (N) 204"		12146312	12001	12500
Cutlass N Body					
1999	3.1L (J) 189"		12146312	12001	12500
1999-1997	3.1L (M) 189"		12146312	12001	12500
Cutlass Supreme					
1989-1988	2.8L (W) 173"	International	12146312	12001	12500
1989-1988	2.8L (W) 173"		12146312	12001	12500
1989-1988	2.8L (W) 173"	SL Models	12146312	12001	12500
1995-1994	3.1L (M) 189"		12146312	12001	12500
1995	3.1L (M) 189"	SL Models	12146312	12001	12500
1994-1993	3.1L (M) 189"	S Models	12146312	12001	12500
1993-1992	3.1L (T) 189"	S Models	12146312	12001	12500
1993-1989	3.1L (T) 189"		12146312	12001	12500
1993-1989	3.1L (T) 189"	International	12146312	12001	12500
1991-1989	3.1L (T) 189"	SL Models	12146312	12001	12500
1996-1995	3.4L (X) 207"	SL Models	12146312	12001	12500
1995-1991	3.4L (X) 207"		12146312	12001	12500
1994-1992	3.4L (X) 207"	S Models	12146312	12001	12500
1993-1991	3.4L (X) 207"	International	12146312	12001	12500
1991	3.4L (X) 207"	SL Models	12146312	12001	12500
1987-1985	3.8L (A) 231"	Brougham	12146312	12001	12500
1987-1985	3.8L (A) 231"		12146312	12001	12500
1987	5.0L (9) 307"		12146312	12001	12500
Cutlass W Body					
1995-1993	3.1L (M) 189"		25036979	12001	12500
Delta 88					
1986	3.0L (L) 181"		12146312	12001	12500
1999-1996	3.8L (1) 231"		10096181	12062	—
1995	3.8L (1) 231"		12146312, 25036979	12001	12500
1993-1992	3.8L (1) 231"		12146312	12001	12500
1988-1986	3.8L (3) 231"	w/U52 Option	25036979	12001	12500
1985	3.8L (A) 231"		12146312	12001	12500
1981	3.8L (A) 231"		10045847	—	12500
1980-1979	3.8L (A) 231"	Cal.	8993298	—	12500
1991-1989	3.8L (C) 231"		25036979	12001	12500
1999-1995	3.8L (K) 231"		10096181	12062	—
1995	3.8L (K) 231"	2 Blade	25037332	12061	—
1994-1992	3.8L (L) 231"		12146312, 25036979	12001	12500
Firenza					
1986-1985	2.8L (W) 173"		12146312	12001	12500
Intrigue					
2002-1999	3.5L (H) 214"		12146312	12001	12500
Omega					
1980-1979	2.8L (7) 173"		8993298	—	12500
1984-1981	2.8L (X,Z) 173"		10045847	—	12500
1979	3.8L (2) 231"		8993311	—	12500
Starfire					
1980-1979	3.8L (A) 231"	Cal.	8993298	—	12500
Supreme					
1986	3.8L (A) 231"		25036979	12001	12500

ENGINE COOLANT TEMPERATURE SENSORS

YEAR	ENGINE	FOOTNOTE	OE #	PART #	UNIV PART #
OLDSMOBILE 6 CYL. (Cont'd)					
Toronado					
1987	3.8L (3) 231"		12146312	12001	12500
1981	3.8L (A) 231"		10045847	—	12500
1986	3.8L (B) 231"		12146312	12001	12500
1990-1988	3.8L (C) 231"		12146312	12001	12500
1992-1991	3.8L (L) 231"		25036979	12001	12500
1981	4.1L (4) 252"		25036092	—	12500
8 CYL.					
98					
1981	5.0L (Y) 307"	w/Closed Loop	10045847	—	12500
1980	5.7L (R) 350"	w/Closed Loop	8993298, 10045847	—	12500
Aurora					
2003-2001	4.0L (C) 244"		12146312	12001	12500
1999-1995	4.0L (C) 244"		12146312, 25036979	12001	12500
Coachbuilder Wagon					
1992	5.7L (7) 350"		25036979	12001	12500
1992-1991	5.7L (E) 350"		25036979	12001	12500
Custom Cruiser Wagon					
1990-1985	5.0L (9) 307"		25036979	12001	12500
1992-1991	5.0L (E) 305"		25036979	12001	12500
1990-1985	5.0L (Y) 307"		25036979	12001	12500
1992	5.7L (7) 350"		25036979	12001	12500
1985	5.7L (N) 350"		12146312	12001	12500
Cutlass					
1981-1980	4.3L (8) 260"	w/Closed Loop	10045847	—	12500
1986	5.0L (9) 307"	Salon	12146312	12001	12500
1984-1982	5.0L (H) 305"		10045847	—	12500
1980	5.0L (H) 305"		8993311, 10045847	—	12500
1987-1985	5.0L (Y) 307"	Salon	12146312	12001	12500
1981	5.0L (Y) 307"	w/Closed Loop	10045847	—	12500
1990-1986	5.0L (Y,9) 307"		25036979	12001	12500
1985	5.7L (N) 350"	Salon	12146312	12001	12500
1980	5.7L (R) 350"	w/Closed Loop	8993298, 10045847	—	12500
Cutlass Supreme					
1988	5.0L (Y) 307"	Classic	12146312	12001	12500
1988	5.0L (Y) 307"	Classic Brougham	12146312	12001	12500
1987-1985	5.0L (Y) 307"		12146312	12001	12500
1987-1985	5.0L (Y) 307"	Brougham	12146312	12001	12500
1985	5.7L (N) 350"		12146312	12001	12500
1985	5.7L (N) 350"	Brougham	12146312	12001	12500
Delta 88					
1980	4.3L (F) 260"	w/Closed Loop	10045847	—	12500
1985	5.0L (Y) 307"		12146312	12001	12500
1984-1981	5.0L (Y) 307"		10045847	—	12500
1985	5.7L (N) 350"		12146312	12001	12500
1980	5.7L (R) 350"	w/Closed Loop	8993298, 10045847	—	12500
Regency					
1985	4.3L (T) 260"		10045847	—	12500
1984	5.0L (Y) 307"		10045847	—	12500
Supreme					
1986	5.0L (9) 307"		250036979	12001	12500
1986	5.0L (Y) 307"		250036979	12001	12500

ENGINE COOLANT TEMPERATURE SENSORS

YEAR	ENGINE	FOOTNOTE	OE #	PART #	UNIV PART #
OLDSMOBILE 8 CYL. (Cont'd)					
Toronado					
1985	5.0L (Y) 307"		12146312	12001	12500
1984	5.0L (Y) 307"		10045847	—	12500
1981	5.0L (Y) 307"	w/Closed Loop	10045847	—	12500
1985	5.7L (N) 350"		12146312	12001	12500
1980	5.7L (R) 350"	w/Closed Loop	8993298, 10045847	—	12500
OLDSMOBILE TRUCK					
4 CYL. Silhouette					
1996-1993	2.3L (D) 140"	Exp.	12146312, 25036979	12001	12500
6 CYL. Bravada					
2004-2002	4.2L (S) 256"		12564512	12067	—
2001-1992	4.3L (W) 262"	CPI	25036979	12001	12500
1996	4.3L (X) 262"		25036979	12001	12500
1995	4.3L (Z) 262"	TBI	25036979	12001	12500
1992-1991	4.3L (Z) 262"	TBI	25036979	12001	12500
Silhouette					
1995-1990	3.1L (D) 189"		25036979	12001	12500
2004-2000	3.4L (E) 207"		12146312	12001	12500
1999-1996	3.4L (E) 207"		10096181	12062	—
1995-1992	3.8L (L) 231"		25036979	12001	12500
OPEL					
4 CYL. 1900					
1975	1.9L (N) 116"		0-280-130-023	12026	—
Manta					
1975	1.9L (N) 116"		0-280-130-023	12026	—
PEUGEOT					
405 4 CYL.					
1991-1989	1.9L (X49JZ) 116"		0-280-130-026	12041	—
405 Mi-16					
1991-1989	1.9L (X49J4) 116"		0-280-130-026	12041	—
505					
1988-1987	2.2L (8) 132"	Turbo	0-280-130-032	12047	—
1987-1986	2.2L (ZDJL) 131"		0-280-130-026	12041	—
505 Turbo S					
1988	2.2L (N9TE) 131"	150HP	0-280-130-026	12041	—
505DL					
1988	2.2L (ZDJL) 131"		0-280-130-026	12041	—
505GLS					
1988	2.2L (ZDJL) 131"		0-280-130-026	12041	—
505i					
1987-1984	2.2L (N9TE) 131"	Turbo	0-280-130-026	12041	—
505STI					
1988	2.2L (ZDJL) 131"		0-280-130-026	12041	—
6 CYL. 505					
1988-1987	2.8L (9) 171"		0-280-130-032	12047	—
505i					
1988-1987	2.8L (9) 171"		0-280-130-032	12047	—
505STX					
1988-1987	2.8L (9) 171"		0-280-130-032	12047	—

ENGINE COOLANT TEMPERATURE SENSORS

YEAR	ENGINE	FOOTNOTE	OE #	PART #	UNIV PART #
PLYMOUTH					
4 CYL. Acclaim					
1993-1992	2.5L (B) 153"	TBI	5226374	12014	—
1991-1990	2.5L (J) 153"	Turbo	5226374	12014	—
1995-1989	2.5L (K) 153"	TBI	5226374	12014	—
1994-1993	2.5L (V) 153"	Flex Fuel	5226374	12014	—
1995-1992	2.5L (W) 153"	TBI	5226374	12014	—
Breeze					
1999-1997	2.0L (L) 122"	SOHC	56027873, M56027873	12060	—
1999-1998	2.4L (X) 148"		56027873, M56027873	12060	—
Caravelle					
1987-1985	2.2L (D) 135"	Fan Switch,TBI	5226356	12013	—
1987-1985	2.2L (D) 135"	TBI	5226374	12014	—
1988-1985	2.2L (E) 135"	Fan Switch,Turbo	5226356	12013	—
1988-1985	2.2L (E) 135"	Turbo	5226374	12014	—
1988-1986	2.5L (K) 153"	Fan Switch,TBI	5226356	12013	—
1988-1986	2.5L (K) 153"	TBI	5226374	12014	—
1985	2.6L (G) 160"	Fan Switch	5226356	12013	—
1985	2.6L (G) 160"		5226374	12014	—
Colt					
1991	1.5L (A) 90"		MD069879	12030	—
1988-1985	1.5L (K) 90"		MD069879	12030	—
1990-1989	1.5L (X) 90"		MD069879	12030	—
1990-1984	1.6L (A) 98"		MD069879	12030	—
1985-1984	1.6L (B) 98"		MD069879	12030	—
1988-1984	1.6L (F) 98"	Turbo	MD069879	12030	—
1990-1989	1.6L (Y) 98"		MD069879	12030	—
1989	1.6L (Z) 98"		MD069879	12030	—
Colt Vista					
1987-1984	2.0L (D,V) 122"		MD069879	12030	—
1991-1989	2.0L (V) 122"		MD069879	12030	—
Horizon					
1985	1.6L (K) 98"	Fan Switch	5226356	12013	—
1985	1.6L (K) 98"		5226374	12014	—
1990-1988	2.2L (D) 135"	Fan Switch	5226356	12013	—
1990-1988	2.2L (D) 135"	TBI	5226374	12014	—
Laser					
1994-1989	1.8L (T) 107"		MD069879	12030	—
1994-1993	2.0L (E) 122"		MD069879	12030	—
1994-1993	2.0L (F) 122"	Turbo	MD069879	12030	—
1992-1989	2.0L (R) 122"		MD069879	12030	—
1992-1989	2.0L (U) 122"	Turbo	MD069879	12030	—
Neon					
1999-1995	2.0L (C) 122"	SOHC	4661341	12058	—
1999-1995	2.0L (Y) 122"	DOHC	4661341	12058	—
Reliant					
1989-1985	2.2L (D) 135"	Fan Switch	5226356	12013	—
1989-1985	2.2L (D) 135"	TBI	5226374	12014	—
1989-1986	2.5L (K) 153"	TBI	5226356	12013	—
1989-1986	2.5L (K) 153"	Fan Switch,TBI	5226374	12014	—
1985-1984	2.6L (G) 156"	Fan Switch	5226356	12013	—
1985-1984	2.6L (G) 156"		5226374	12014	—
Sundance					
1993-1987	2.2L (D) 135"	TBI	5226374	12014	—
1991-1987	2.2L (D) 135"	Fan Switch	5226356	12013	—
1988-1987	2.2L (E) 135"	Fan Switch,Turbo	5226356	12013	—

ENGINE COOLANT TEMPERATURE SENSORS

YEAR	ENGINE	FOOTNOTE	OE #	PART #	UNIV PART #
PLYMOUTH 4 CYL. Sundance (Cont'd)					
1988-1987	2.2L (E) 135"	Turbo	5226374	12014	—
1993	2.5L (B) 153"	TBI	5226374	12014	—
1992-1989	2.5L (J) 153"	Turbo	5226374	12014	—
1994-1988	2.5L (K) 153"	TBI	5226374	12014	—
1991-1988	2.5L (K) 153"	Fan Switch,TBI	5226356	12013	—
Turismo					
1985	1.6L (K) 98"		5226374	12014	—
1985	1.6L (K) 98"	Fan Switch	5226356	12013	—
6 CYL. Acclaim					
1995-1992	3.0L (3) 181"		33004281	12014	—
1991-1989	3.0L (3) 181"		5226374	12014	—
Prowler					
1997	3.5L (F) 215"		33004281	12014	—
Sundance					
1994	3.0L (3) 181"		33004281	12014	—
Sundance Duster					
1993-1992	3.0L (3) 181"		33004281	12014	—
PLYMOUTH TRUCK					
4 CYL. Grand Voyager					
1998	2.4L (B) 148"		56027873, M56027873	12060	—
1997-1996	2.4L (B) 148"		56004815	12052	—
1997	2.4L (X) 148"		56004815	12052	—
Voyager					
2000-1998	2.4L (B) 148"		56027873, M56027873	12060	—
1997-1996	2.4L (B) 148"		56004815	12052	—
1997	2.4L (X) 148"		56004815	12052	—
1995-1987	2.5L (K) 153"		33004281, 5226374	12014	—
6 CYL. Grand Voyager					
2000-1998	3.0L (3) 181"		56027873, M56027873	12060	—
1997-1996	3.0L (3) 181"		56004815	12052	—
2000-1998	3.3L (G) 201"		56027873	12060	—
2000-1998	3.3L (R) 201"		56027873, M56027873	12060	—
1997-1996	3.3L (R) 201"		56004815	12052	—
1999	3.8L (L) 229"		56027873	12060	—
1996	3.8L (L) 229"		56004815	12052	—
1995-1994	3.8L (L) 229"		33004281	12014	—
Voyager					
2000-1998	3.0L (3) 181"		56027873	12060	—
1997-1996	3.0L (3) 181"		56004815	12052	—
1995-1987	3.0L (3) 181"		33004281, 5226374	12014	—
2000-1998	3.3L (G) 201"		56027873	12060	—
2000-1998	3.3L (R) 201"		56027873, M56027873	12060	—
1997-1996	3.3L (R) 201"		56004815	12052	—
1997	3.3L (R) 201"		33004281	12014	—
1995-1991	3.3L (R) 201"		33004281	12014	—
1999	3.8L (L) 229"		56027873	12060	—
1996	3.8L (L) 229"		56004815	12052	—
PONTIAC					
6000 4 CYL.					
1991-1985	2.5L (R) 151"		25036979	12001	12500
Acadian					
1987-1985	1.6L (C) 98"		12146312	12001	12500

ENGINE COOLANT TEMPERATURE SENSORS

YEAR	ENGINE	FOOTNOTE	OE #	PART #	UNIV PART #
PONTIAC 4 CYL. (Cont'd)					
Fiero					
1988-1987	2.5L (R) 151"		25036979	12001	12500
1986-1984	2.5L (R) 151"		10045847	—	12500
Grand AM					
1989-1987	2.0L (M) 121"		25036979	12001	12500
2004-2002	2.2L (F) 134"		12146312	12001	12500
2003-2002	2.2L (F) 134"		15369305	12027	—
1994-1992	2.3L (3) 140"		25036979	12001	12500
1994-1989	2.3L (A) 140"		25036979	12001	12500
1995-1992	2.3L (D) 140"		12146312	12001	12500
1995-1988	2.3L (D) 138"		12146312	12001	12500
2001-1996	2.4L (T) 146"		12146312	12001	12500
1991-1985	2.5L (U) 151"		25036979	12001	12500
Grand Prix					
1991-1990	2.3L (D) 140"		25036979	12001	12500
J2000					
1982	1.8L (G) 112"		10045847	—	12500
1984-1982	1.8L (O) 112"		10045847	—	12500
LeMans					
1993-1988	1.6L (6) 98"		25036898, 25037062	12027	—
1990-1989	2.0L (K) 121"		25036979	12001	12500
1989	2.0L (K) 122"		12146312	12001	12500
Phoenix					
1980-1979	2.5L (1) 151"		8993298	—	12500
1981	2.5L (5) 151"	w/Closed Loop	25036092	—	12500
1980-1979	2.5L (5) 151"	Cal.	8993298	—	12500
1984-1981	2.5L (R) 151"		10045847	—	12500
Sunbird					
1986-1985	1.8L (J) 111"		25036979	12001	12500
1984	1.8L (J) 112"		10045847	—	12500
1986-1985	1.8L (O) 111"		25036979	12001	12500
1984	1.8L (O) 112"		10045847	—	12500
1994-1992	2.0L (H) 121"		10096181	12062	—
1991-1987	2.0L (K) 121"		25036979	12001	12500
1990-1987	2.0L (M) 121"		25036979	12001	12500
1986-1985	2.0L (P) 121"		25036979	12001	12500
1984-1983	2.0L (P) 121"		10045847	—	12500
1980-1979	2.5L (1) 151"		8993298	—	12500
1979	2.5L (9) 151"	Cal.	8993298	—	12500
1980	2.5L (V) 151"	Cal.	8993298	—	12500
Sunfire					
2002-1995	2.2L (4) 140"		25036979	12001	12500
1995	2.3L (3) 140"		25036979	12001	12500
2002-1996	2.4L (T) 146"		12146312	12001	12500
T1000					
1981	1.6L (9) 98"		10045847	—	12500
1987-1985	1.6L (C) 98"		25036979	12001	12500
1984-1983	1.6L (C) 98"		10045847	—	12500
1982	1.6L (C) 98"	Cal.	10045847	—	12500
Vibe					
2004-2003	1.8L (8)		94853124	12032	—
2004-2003	1.8L (L)		94853124	12032	—

ENGINE COOLANT TEMPERATURE SENSORS

YEAR	ENGINE	FOOTNOTE	OE #	PART #	UNIV PART #
PONTIAC (Cont'd)					
6000 6 CYL.					
1980	2.8L (7) 173"		8993298	—	12500
1989-1985	2.8L (W) 173"		25036979	12001	12500
1986-1985	2.8L (X) 173"		10045847	—	12500
1986-1985	2.8L (X) 173"		12146312	12001	12500
1982	2.8L (X) 173"		10045847	—	12500
1991-1990	3.1L (T) 189"		25036979	12001	12500
1985	4.3L (T) 260"		12146312	12001	12500
Bonneville					
2003-1991	3.8L (1) 231"	SSE Models	25036979	12001	12500
1988-1987	3.8L (3) 231"		25036979	12001	12500
1983-1982	3.8L (9) 229"		10045847	—	12500
1986-1985	3.8L (A) 231"		12146312	12001	12500
1984	3.8L (A) 231"		10085847	—	12500
1981	3.8L (A) 231"		25036092	—	12500
1980-1979	3.8L (A) 231"		8993298	—	12500
1991-1988	3.8L (C) 231"		25036979	12001	12500
2003-1995	3.8L (K) 231"		12146312	12001	12500
1994-1992	3.8L (L) 231"		25036979	12001	12500
1986	4.3L (Z) 262"		12146312	12001	12500
Bonneville Safari					
1981	3.8L (A) 231"		25036092	—	12500
1980-1979	3.8L (A) 231"		8993298	—	12500
Catalina					
1981	3.8L (A) 231"		25036092	—	12500
1980-1979	3.8L (A) 231"		8993298	—	12500
Catalina Safari					
1981	3.8L (A) 231"		25036092	—	12500
1980-1979	3.8L (A) 231"		8993298	—	12500
Fiero					
1988-1985	2.8L (9) 173"		25036979	12001	12500
Firebird					
1984-1982	2.8L (1) 173"		10045847	—	12500
1984-1983	2.8L (L) 173"		10045847	—	12500
1989-1985	2.8L (S) 173"		12146312	12001	12500
1992-1990	3.1L (T) 189"		25036979	12001	12500
1995-1993	3.4L (S) 207"		12146312, 25036979	12001	12500
1981	3.8L (A) 231"		25036092	—	12500
1980-1979	3.8L (A) 231"	Cal.	8993298	—	12500
2003-2000	3.8L (K) 231"		12146312	12001	12500
Grand AM					
1988-1985	3.0L (L) 181"		25036979	12001	12500
1998-1994	3.1L (M) 189"		25036979	12001	12500
1996	3.1L (M) 189"	3 Blade	10096181	12062	—
1993-1992	3.3L (N) 200"		12146312	12001	12500
1993-1992	3.3L (N) 204"		12146312	12001	12500
2004-1999	3.4L (E) 207"		12146312	12001	12500
2003-1999	3.4L (E) 207"		12146312	12001	12500
1979	3.8L (2) 231"		8993311	—	12500
1980-1979	3.8L (A) 231"		8993298	—	12500
Grand LeMans					
1979	3.8L (2) 231"		8993311	—	12500
1981	3.8L (A) 231"		25036092	—	12500
1980-1979	3.8L (A) 231"		8993298	—	12500

ENGINE COOLANT TEMPERATURE SENSORS

YEAR	ENGINE	FOOTNOTE	OE #	PART #	UNIV PART #
PONTIAC 6 CYL. (Cont'd)					
Grand LeMans Safari					
1979	3.8L (2) 231"		8993311	—	12500
1980-1979	3.8L (A) 231"		8993298	—	12500
Grand Prix					
1989-1988	2.8L (W) 173"		25036979	12001	12500
2003-2000	3.1L (J) 189"		10096181	12062	—
1999-1997	3.1L (M) 189"		10096181	12062	—
1996	3.1L (M) 189"		10096181	12062	—
1995-1994	3.1L (M) 189"		12146312	12001	12500
1993-1989	3.1L (T) 189"		25036979	12001	12500
1990-1989	3.1L (V) 189"	Turbo	25036979	12001	12500
1996-1992	3.4L (X) 207"		12146312	12001	12500
2002-2000	3.8L (1) 231"		10096181	12062	—
1999-1997	3.8L (1) 231"	SC	12146312	12001	12500
2004	3.8L (2) 231"		12146312	12001	12500
2004	3.8L (4) 231"		12146312	12001	12500
1987-1985	3.8L (A) 231"		12146312	12001	12500
1984	3.8L (A) 231"	Exc.Hi-Alt	10045847	—	12500
1981	3.8L (A) 231"		25036092	—	12500
1980	3.8L (A) 231"	w/AT,FED,Closed Loop	25036092	—	12500
1979	3.8L (A) 231"	w/Closed Loop	8993298	—	12500
2003-2000	3.8L (K) 231"		10096181	12062	—
1999-1997	3.8L (K) 231"		12146312	12001	12500
1982	4.1L (4) 252"	Exc.Hi-Alt	10045847	—	12500
1987-1986	4.3L (Z) 262"		12146312	12001	12500
LeMans					
1979	3.8L (2) 231"		8993311	—	12500
1981	3.8L (A) 231"		25036092	—	12500
1980-1979	3.8L (A) 231"		8993298	—	12500
LeMans Safari					
1979	3.8L (2) 231"		8993311	—	12500
1980-1979	3.8L (A) 231"		8993298	—	12500
Parisienne					
1986-1985	4.3L (Z) 262"		12146312	12001	12500
Phoenix					
1980	2.8L (7) 173"		8993298	—	12500
1984-1982	2.8L (X,Z) 173"		10045847	—	12500
1981	2.8L (X,Z) 173"		25036092	—	12500
1979	3.8L (A) 231"		8993298	—	12500
Sunbird					
1994-1991	3.1L (T) 189"		25036979	12001	12500
1979	3.8L (2) 231"		8993311	—	12500
8 CYL.					
Bonneville					
1987-1985	5.0L (H) 305"	Exc.Hi-Alt	25036979	12001	12500
1984-1983	5.0L (H) 305"		10045847	—	12500
1981	5.0L (Y) 305"		25036092	—	12500
1980	5.7L (R) 350"		8993298	—	12500
Bonneville Safari					
1981	5.0L (Y) 305"		25036092	—	12500
1980	5.7L (R) 350"		8993298	—	12500
Catalina					
1981	5.0L (Y) 305"		25036092	—	12500
Catalina Safari					
1981	5.0L (Y) 305"		25036092	—	12500

ENGINE COOLANT TEMPERATURE SENSORS

YEAR	ENGINE	FOOTNOTE	OE #	PART #	UNIV PART #
PONTIAC 8 CYL. (Cont'd)					
Firebird					
1981	4.9L (T) 301"	Turbo,w/Closed Loop	25036092	—	12500
1981	4.9L (W) 301"		25036092	—	12500
1982	5.0L (1) 305"		10045847	—	12500
1983-1982	5.0L (7) 305"		10045847	—	12500
1992-1988	5.0L (E) 305"		25036979	12001	12500
1992-1985	5.0L (F) 305"		25036979	12001	12500
1986-1984	5.0L (G) 305"		10045847	—	12500
1987-1985	5.0L (H) 305"		12146312	12001	12500
1984-1980	5.0L (H) 305"	w/Closed Loop	10045847	—	12500
1983	5.0L (S) 305"		10045847	—	12500
1992-1989	5.7L (8) 350"		25036979	12001	12500
1988-1987	5.7L (8) 350"		12146312	12001	12500
2002-2001	5.7L (G) 350"		15326388	12027	—
2000-1999	5.7L (G) 350"		15369305	12027	—
1997-1993	5.7L (P) 350"		12146312	12001	12500
Grand AM					
1980	5.0L (H) 305"		8993311	—	12500
Grand LeMans					
1981	4.3L (S) 265"		25036092	—	12500
1981	4.9L (W) 301"		25036092	—	12500
1980	5.0L (H) 305"		8993311	—	12500
Grand LeMans Safari					
1981	4.3L (S) 265"		25036092	—	12500
1981	4.9L (W) 301"		25036092	—	12500
1980	5.0L (H) 305"		8993311	—	12500
Grand Prix					
1981	4.3L (S) 265"		25036092	—	12500
1987-1985	5.0L (H) 305"	Exc.Hi-Alt	25036979	12001	12500
1983	5.0L (H) 305"		10045847	—	12500
1980	5.0L (H) 305"		8993311	—	12500
GTO					
2004	5.7L 350"		15326388	12027	—
LeMans					
1981	4.3L (S) 265"		25036092	—	12500
1981	4.9L (W) 301"		25036092	—	12500
1980	5.0L (H) 305"		8993311	—	12500
1980	5.7L (R) 350"		8993298	—	12500
LeMans Safari					
1981	4.3L (S) 265"		25036092	—	12500
1981	4.9L (W) 301"		25036092	—	12500
1980	5.0L (H) 305"		8993311	—	12500
1980	5.7L (R) 350"		8993298	—	12500
Parisienne					
1986-1985	5.0L (H) 305"		12146312	12001	12500
1986	5.0L (Y) 307"		12146312	12001	12500
1985	5.7L (N) 350"		12146312	12001	12500
Safari					
1989-1987	5.0L (Y) 307"		12146312	12001	12500
Trans AM					
1997-1993	5.7L (P) 350"		12146312	12001	12500

ENGINE COOLANT TEMPERATURE SENSORS

YEAR	ENGINE	FOOTNOTE	OE #	PART #	UNIV PART #
PONTIAC TRUCK					
6 CYL.					
Aztek					
2004-2001	3.4L (E) 207"		12146312	12001	12500
Montana					
2004-2000	3.4L (E) 207"		12146312	12001	12500
1999	3.4L (E) 207"		10096181	12062	—
Trans Sport					
1995-1990	3.1L (D) 189"		25036979	12001	12500
1998-1996	3.4L (E) 207"		10096181	12062	—
1995-1992	3.8L (L) 231"		25036979	12001	12500
PORSCHE					
4 CYL.					
912E					
1976	2.0L (406) 120"		0-280-130-012	12040	—
914					
1972	1.7L (640,641,642) 102"		0-280-130-012	12040	—
1976-1973	2.0L (GA,GC) 120"		0-280-130-012	12040	—
924S					
1988-1987	2.5L (41) 151"		0-280-130-026	12041	—
944					
1988-1984	2.5L (43) 151"		0-280-130-026	12041	—
1989	2.7L (46) 164"		0-280-130-026	12041	—
944 Turbo					
1988-1985	2.5L (45) 151"		0-280-130-026	12041	—
1989	2.5L (47) 151"		0-280-130-026	12041	—
944S					
1991-1989	3.0L (42) 183"		0-280-130-026	12041	—
968					
1994-1992	3.0L (42) 183"		0-280-130-026	12041	—
6 CYL.					
911 Turbo					
1992-1991	3.3L (61) 201"	Oil Temp Sensor	0-280-130-026	12041	—
1994-1993	3.6L (64) 220"	Oil Temp Sensor	0-280-130-026	12041	—
8 CYL.					
928					
1984-1980	4.5L (81-Series) 285"		0-280-130-023	12026	—
1991-1988	5.0L (81,85) 302"		0-280-130-032	12047	—
1995-1993	5.4L (81, 85) 329"		0-280-130-032	12047	—
RENAULT					
4 CYL.					
Alliance					
1986-1985	1.4L (D) 85"		8933002383	12038	—
1984-1982	1.4L (D,E,9) 85"		0-280-130-023	12026	—
1987-1986	1.7L (A) 105"		8933002383	12038	—
1987-1986	2.0L (V) 120"		8933002383	12038	—
Encore					
1986-1985	1.4L (D) 85"		8933002383	12038	—
1984	1.4L (D,E) 85"		0-280-130-023	12026	—
1987-1986	1.7L (A) 105"		8933002383	12038	—
1987-1986	2.0L (V) 120"		8933002383	12038	—
Fuego					
1983-1982	1.6L (A,8) 101"	Turbo	0-280-130-023	12026	—
1983-1982	1.7L (8) 101"		0-280-130-023	12026	—
1986-1985	2.2L (B) 132"		0-280-130-023	12026	—
1984	2.2L (B) 132"		0-280-130-023	12026	—
R17TS					
1977-1975	1.6L (841,843) 101"		0-280-130-023	12026	—

ENGINE COOLANT TEMPERATURE SENSORS

YEAR	ENGINE	FOOTNOTE	OE #	PART #	UNIV PART #
RENAULT 4 CYL. (Cont'd)					
R18i					
1983-1980	1.7L (8) 101"		0-280-130-023	12026	—
1984	2.2L (B) 132"		0-280-130-023	12026	—
R18i Wagon					
1986-1985	2.2L (B) 132"		0-280-130-023	12026	—
ROLLS ROYCE					
8 CYL. Corniche					
1993-1990	6.8L 415"		0-280-130-026	12041	—
Silver Spirit					
1994-1993	6.8L 415"	4/93 On	0-280-130-026	12041	—
1991-1990	6.8L 415"	7/89 To 12/90	0-280-130-026	12041	—
SAAB					
4 CYL.					
900					
1990-1989	2.0L (B202I) 121"		0-280-130-026	12041	—
1992-1985	2.0L (B202L) 121"	Turbo	0-280-130-026	12041	—
1993-1991	2.1L (B212I) 129"		0-280-130-026	12041	—
900S					
1990-1989	2.0L (B202I) 121"		0-280-130-026	12041	—
1993-1991	2.1L (B212I) 129"		0-280-130-026	12041	—
9000					
1989	2.0L (B202I) 121"		0-280-130-026	12041	—
1990-1988	2.0L (B202L) 121"	Turbo	0-280-130-026	12041	—
1987-1986	2.0L (B202L) 121"	Turbo,MT	0-280-130-026	12041	—
1998-1996	2.3L (B234E) 140"	LP Turbo	0-280-130-026	12041	—
1992-1991	2.3L (B234I) 140"	CD	0-280-130-026	12041	—
1992	2.3L (B234I) 140"	CD,Turbo	0-280-130-026	12041	—
1998-1991	2.3L (B234L) 140"	Turbo, exc AeroTurbo	0-280-130-026	12041	—
1993	2.3L (B234L) 140"	Aero,Turbo	0-280-130-026	12041	—
9000S					
1990	2.0L (B202I) 121"		0-280-130-026	12041	—
1987	2.0L (B202I) 121"		0-280-130-026	12041	—
1992-1991	2.3L (B234I) 140"		0-280-130-026	12041	—
SATURN					
4 CYL. Coupe					
1998-1995	1.9L (8) 116"	SOHC	21020104	12128	—
L Models					
2002-2000	2.2L (F) 135"		15326388	12027	—
SC Models					
1998-1991	1.9L (7) 116"		21020104	12128	—
1998-1995	1.9L (8) 116"	SOHC	21020104	12128	—
1994-1991	1.9L (9) 116"	TBI	21020104	12128	—
Sedan					
1998-1991	1.9L (7) 116"		21020104	12128	—
1998-1995	1.9L (8) 116"	SOHC	21020104	12128	—
SL Models					
1998-1991	1.9L (7) 116"		21020104	12128	—
1998-1995	1.9L (8) 116"	SOHC	21020104	12128	—
1994-1991	1.9L (9) 116"	TBI	21020104	12128	—
SW Models					
1998-1991	1.9L (7) 116"		21020104	12128	—
1998-1995	1.9L (8) 116"	SOHC	21020104	12128	—
1994-1991	1.9L (9) 116"	w/TBI	21020104	12128	—

ENGINE COOLANT TEMPERATURE SENSORS

YEAR	ENGINE	FOOTNOTE	OE #	PART #	UNIV PART #
SATURN 4 CYL. (Cont'd)					
Wagon					
1998-1991	1.9L (7) 116"		21020104	12128	—
1998-1995	1.9L (8) 116"	SOHC	21020104	12128	—
SUBARU					
4 CYL.					
Imprenza					
1997-1994	1.8L (5,6) 109"		22630-AA041	12051	—
1998-1995	2.2L (C) 140"		22630-AA041	12051	—
1998	2.5L (E) 151"		22630-AA041	12051	—
Legacy					
1999-1990	2.2L (6) 140"	Turbo	22630-AA041	12051	—
1999-1996	2.5L (9) 151"		22630-AA041	12051	—
Outback					
1999-1996	2.2L (A) 140"		22630-AA041	12051	—
1999-1996	2.5L (2) 151"		22630-AA041	12051	—
6 CYL.					
SVX					
1997-1992	3.3L (V,W) 202"		22630-AA040, AA041	12051	—
SUBARU TRUCK					
4 CYL.					
Forester					
1998	2.5L (9) 151"		22630-AA041	12051	—
SUZUKI					
4 CYL.					
Swift					
1995	1.3L (3) 79"	TBI	13650-51G10	12032	—
1994-1992	1.3L (3) 79"	TBI	13650-61B00	12032	—
1991-1989	1.3L (3) 79"	TBI	13650-84101	12024	—
Swift GT					
1994-1989	1.3L (3) 79"	DOHC, On Cylinder Head	13650-64B00	12054	—
SUZUKI TRUCK					
4 CYL.					
Samurai					
1995-1992	1.3L (3) 79"		13650-61B00, 51G10	12032	—
Sidekick					
1989	1.3L (3) 79"		13650-84101	12024	—
1998-1996	1.6L (0) 97"		13650-57F00, 61B00	12032	—
1995-1991	1.6L (0) 97"		13650-61B00	12032	—
1990-1989	1.6L (0) 97"		13650-84101	12024	—
X-90					
1998-1996	1.6L (0) 97"		13650-57F00	12032	—
TOYOTA					
4 CYL.					
Camry					
1986-1983	2.0L (2S-ELC) 122"		89422-30020	12024	—
1991	2.0L (3S-FE) 122"		89422-20010	12032	—
1991-1987	2.0L (3S-PE) 122"		89422-20010	12032	—
1999-1992	2.2L (5S-FE) 134"		89422-20010	12032	—
Celica					
1993-1990	1.6L (4A-FE) 97"		89422-20010, 35010	12032	—
2002-2000	1.8L (1ZZ-FE) 108"		89422-35010	12032	—
2002-2000	1.8L (2ZZ-FE) 108"		89422-35010	12032	—
1998-1995	1.8L (7A-FE) 108"		89422-35010	12032	—
1991-1985	2.0L (2S-ELC) 122"		89422-12010, 30020	12024	—
1989-1987	2.0L (3S-FE) 122"		89422-20010	12032	—
1993-1990	2.0L (3S-GTE) 122"	Turbo	89422-20010	12032	—
1989-1988	2.0L (3S-GTE) 122"	Turbo	89422-12010	12024	—

ENGINE COOLANT TEMPERATURE SENSORS

YEAR	ENGINE	FOOTNOTE	OE #	PART #	UNIV PART #
TOYOTA 4 CYL. Celica (Cont'd)					
1999-1992	2.2L (5S-FE) 134"		89422-35010	12032	—
1992-1990	2.2L (5S-FE) 134"		89422-20010	12032	—
Corolla					
1992-1989	1.6L (4AF) 97"		89422-20010	12032	—
1988-1983	1.6L (4AF) 97"		89422-12010, 30020	12024	—
1997-1994	1.6L (4A-FE) 97"		89422-35010	12032	—
1993-1990	1.6L (4A-FE) 97"	FI	89422-20010	12032	—
2002	1.8L (1ZZ-FE) 108"		89422-35010	12032	—
1997-1993	1.8L (7A-FE) 108"		89422-35010	12032	—
Corolla FX					
1987-1985	1.6L (4A-GEC) 97"		89422-30020	12024	—
GT-S					
1987-1985	1.6L (4A-GEC) 97"		89422-30020	12024	—
MR2					
1989-1984	1.6L (4A-GE) 97"		89422-30020	12024	—
1989-1988	1.6L (4A-GZE) 97"	SC	89422-20010	12032	—
2002-2000	1.8L (1ZZ-FE) 108"		89422-35010	12032	—
1995-1991	2.0L (3S-GTE) 122"	Turbo	89422-20010	12032	—
1995-1991	2.2L (5S-FE) 134"		89422-20010	12032	—
Paseo					
1997-1992	1.5L (5E-FE) 89"		89422-20010	12032	—
Prius					
2001	1.5L (4) 95"	Hybrid	89422-35010	12032	—
2001-2000	2.2L (5SFNE) 134"	Hybrid	89422-35010	12032	—
Solara					
2001-1989	2.0L (5S-FE) 122"		89422-20010	12032	—
Starlet					
1983-1982	1.3L (4K-C,4-E) 79"		89422-30020	12024	—
Tercel					
1994-1989	1.5L (3E,3E-E) 89"		89422-20010	12032	—
1997-1995	1.5L (5E-FE) 89"		89422-20010	12032	—
6 CYL.					
Avalon					
2002-1994	3.0L (1MZ-FE) 180"		89422-35010	12032	—
Camry					
1991-1989	2.5L (2VZ-FE) 153"		89422-20010	12032	—
2002-1994	3.0L (1MZ-FE) 180"	Marked OE #89422-35010	89422-35010	12032	—
1993-1992	3.0L (3VZ-FE) 180"		89422-20010	12032	—
Cressida					
1980-1979	2.6L (4M-E,4M) 156"		89422-30020	12024	—
1988-1980	2.8L (5M-E 5M-GE) 168"		89422-30020	12024	—
1992-1989	3.0L (7M-GE) 180"		89422-20010	12032	—
Solara					
2000-1999	3.0L (1MZE-FE) 180"		89422-35010	12032	—
Supra					
1985-1981	2.8L (5M-E,5M-GE) 168"		89422-30020	12024	—
1998-1994	3.0L (2JZ-GE) 180"		89422-20010	12032	—
1998-1994	3.0L (2JZ-GTE) 180"	Turbo	89422-35010	12032	—
1992-1989	3.0L (7M-GE) 180"		89422-20010	12032	—
1988-1986	3.0L (7M-GE) 180"		89422-12010, 30020	12024	—
1992-1988	3.0L (7M-GTE) 180"	Turbo	89422-20010	12032	—

ENGINE COOLANT TEMPERATURE SENSORS

YEAR	ENGINE	FOOTNOTE	OE #	PART #	UNIV PART #
TOYOTA TRUCK					
4 CYL.					
4-Runner					
1985-1984	2.4L (22R) 144"		89422-20010	12032	—
1995-1984	2.4L (22R-EC) 144"		89422-20010	12032	—
1988-1984	2.4L (22R-TEC) 144"		89422-30020	12024	—
2000-1996	2.7L (3RZ-FE) 164"		89422-35010	12032	—
Highlander					
2002-2001	2.4L (2AZ-FE) 144"		89422-35010	12032	—
2002-2001	3.0L (1MZ-FE) 180"		89422-35010	12032	—
Pickup					
1985-1984	2.4L (22R) 144"		89422-20010	12032	—
1995-1984	2.4L (22R-EC) 144"		89422-20010	12032	—
1988-1984	2.4L (22R-TEC) 144"		89422-30020	12024	—
Previa					
1995-1991	2.4L (2TZ-FE) 144"		89422-20010	12032	—
1997-1994	2.4L (2TZ-FZE) 144"	SC	89422-20010	12032	—
RAV4					
2002-1996	2.0L (3S-FE) 122"		89422-35010	12032	—
1998-1994	2.0L (3S-FE) 121"		89422-35010	12032	—
T100					
1998-1994	2.7L (3RZ-FE) 164"		89422-35010	12032	—
Tacoma					
2002-1995	2.4L (2RZ-TE) 144"		89422-35010	12032	—
2002-1995	2.7L (3RZ-FE) 164"	4WD	89422-35010	12032	—
Van					
1985-1984	2.2L (3Y-EC) 137"		89422-30020	12024	—
1989	2.2L (4Y-EC) 137"		89422-20010	12032	—
1988-1986	2.2L (4Y-EC) 137"		89422-12010, 30020	12024	—
6 CYL.					
4-Runner					
1995-1992	3.0L (3VZ-E) 180"		89422-35010	12032	—
1991-1990	3.0L (3VZ-E) 180"		89422-20010	12032	—
1989-1988	3.0L (3VZ-E) 180"		89422-12010, 30020	12024	—
2003-1996	3.4L (5VZ-FE) 206"		89422-35010	12032	—
Landcruiser					
1991-1989	4.0L (3F-E) 241"		89422-20010	12032	—
1988	4.0L (3F-E) 241"		89422-30020	12024	—
1998	4.5L (1FZ-FE) 275"		89422-35010	12032	—
1997-1993	4.5L (1FZ-FE) 275"		89422-35010	12032	—
Pickup					
1995-1992	3.0L (3VZ-E) 180"		89422-35010	12032	—
1991-1990	3.0L (3VZ-E) 180"		89422-20010	12032	—
Sienna					
2002-1998	3.0L (1MZ-FE) 180"		89422-35010	12032	—
T100					
1993-1992	3.0L (3VZ-E) 180"		89422-35010	12032	—
1998-1995	3.4L (5VZ-FE) 206"		89422-35010	12032	—
Tacoma					
2002-1995	3.4L (5VZ-FE) 206"		89422-35010	12032	—
Tundra					
2002-1999	3.4L (5VZ-FE) 206"		89422-35010	12032	—
8 CYL.					
Landcruiser					
2000-1999	4.7L (2UZ-FE) 287"		89422-35010	12032	—
Tundra					
2002-1999	4.7L (2UZ-FE) 287"		89422-35010	12032	—

ENGINE COOLANT TEMPERATURE SENSORS

YEAR	ENGINE	FOOTNOTE	OE #	PART #	UNIV PART #
TRIUMPH					
4 CYL.					
TR7					
1981-1980	2.0L (CV) 122"		0-280-130-023	12026	—
VOLKSWAGEN					
4 CYL.					
311					
1973-1970	1.6L (U) 97"	Type 3	25906041A	12040	—
411					
1973-1972	1.7L (EA,EB) 102"	Type 4	25906041A	12040	—
1971-1970	1.7L (W) 102"	Type 4	25906041A	12040	—
1974	1.8L (EA,EC) 109"	Type 4	25906041A	12040	—
Beetle					
1979-1975	1.6L (AJ) 97"	Type 1	25906041A	12040	—
Carat					
1988	1.8L (RV) 109"	w/Digifant	025-906-041	12041	—
Fox					
1989-1987	1.8L (JN) 109"		026-906-161	12042	—
1987	1.8L (UM) 109"		026-906-161	12042	—
Golf					
1986-1985	1.8L (GX) 109"		026-906-161	12042	—
Golf GTI					
1989-1987	1.8L (PL) 109"	16V	026-906-161	12042	—
1987-1986	1.8L (RD) 109"		026-906-161	12042	—
1992-1990	2.0L (9A) 121"	16V	026-906-161	12042	—
Jetta					
1987-1985	1.8L (GX) 109"		026-906-161	12042	—
1987	1.8L (PF) 109"	w/Digifant	025-906-041	12041	—
1988	1.8L (RV) 109"	w/Digifant	025-906-041	12041	—
Jetta GLI					
1985	1.8L (HT) 109"		026-906-161	12042	—
1988	1.8L (PL) 109"	16V	026-906-161	12042	—
1987-1986	1.8L (RD) 109"	8V	026-906-161	12042	—
1991-1990	2.0L (9A) 121"	16V	026-906-161	12042	—
Passat					
1992-1990	2.0L (9A) 121"	16V	026-906-161	12042	—
Quantum					
1985	1.8L (JN) 109"		026-906-161	12042	—
Scirocco					
1988-1986	1.8L (PL) 109"		026-906-161	12042	—
Vanagon					
1985-1983	1.9L (DH) 117"	1/83 On	025-906-041	12041	—
5 CYL.					
Quantum					
1988-1985	2.2L (KX) 136"		035-919-369M	12043	—
VOLKSWAGEN TRUCK					
4 CYL.					
Bus					
1979-1977	2.0L (CJ,GE) 120"	Type 2	25906041A	12040	—
1975-1974	2.0L (ED) 120"	Type 2	25906041A	12040	—
1977-1976	2.0L (GD) 120"	Type 2	25906041A	12040	—
Vanagon					
1983-1980	2.0L (CV) 120"		25906041A	12040	—
VOLVO					
4 CYL.					
240					
1993-1988	2.3L (88) 141"	809000 on SW, 334099 on	3433477-1	12047	—

ENGINE COOLANT TEMPERATURE SENSORS

YEAR	ENGINE	FOOTNOTE	OE #	PART #	UNIV PART #
VOLVO 4 CYL. (Cont'd)					
Sedan					
1988-1985	2.3L (B230F) 141"	To Chas.334099	0-280-130-026	12041	—
240 DL					
1982	2.1L (45) 130"	B21F	0-280-130-023	12026	—
1984-1983	2.3L (B23F) 141"		0-280-130-026	12041	—
240 GL					
1982	2.1L (45) 130"	B21F	0-280-130-023	12026	—
1984-1983	2.3L (B23F) 141"		0-280-130-026	12041	—
740					
1992-1989	2.3L (87) 141"	Turbo	3433477-1	12047	—
1988-1985	2.3L (B230F) 141"	To Chas.808999	0-280-130-026	12041	—
1988-1985	2.3L (B230FT) 141"	Turbo	0-280-130-026	12041	—
760					
1990	2.3L (87) 141"	Turbo	3433477-1	12047	—
1990-1989	2.3L (88) 141"	w/oTurbo	3433477-1	12047	—
1989-1985	2.3L (B230FT) 141"	Turbo	0-280-130-026	12041	—
780					
1993-1990	2.3L (B230F) 141"	Turbo	0-280-130-026	12041	—
1993-1990	2.3L (B230FT) 141"	Turbo	0-280-130-026	12041	—
940					
1995-1993	2.3L (88) 141"	w/Bosch F I,w/o Turbo	3433477-1	12047	—
1991	2.3L (88) 141"		3433477-1	12047	—
GLT Turbo					
1985-1982	2.1L (47) 130"	B21FT	0-280-130-023	12026	—
6 CYL.					
780					
1990-1987	2.8L (69) 173"		3433477-1	12047	—
YUGO					
4 CYL.					
GX,GVX					
1992-1990	1.3L (6,7) 79"		0-280-130-026	12041	—

ENGINE COOLANT TEMPERATURE SENSORS

OEM INTERCHANGES

OEM#	PART#	UNIV PART#	OEM#	PART#	UNIV PART#	OEM#	PART#	UNIV PART#
ACURA			DAIHATSU			25036092	—	12500
37870-PD6-003	12022	—	89422-12010-000	12024	—	25036708	12001	12500
37870-PJ7-003	12029	—	89422-87702-000	12049	—	25036898	12027	
37870-PK2-005	12029	—	EAGLE			25036979	12001	12500
8-12146-312-0	12001	—				25037062	12027	
ALFA ROMEO			33004281	12014	—	25037182	12001	
			MD069879	12030	—	25037258	12024	
11911110100	12026	—	MD149338	12044	—	25037332	12061	
0-280-130-023	12026	—	FERRARI			83502327	12001	
0-280-130-026	12041	—				94847363	12032	
AM GENERAL			0-280-130-026	12041	—	94853124	12032	—
			125-796	12041	—	96056758	12024	—
15326386	12001	12500	FIAT			96060084	12026	
AMC						96060399	12024	
			4393601	12026		96062513	12032	
898350327	12001		0-280-130-023	12026	—	96065716	12032	
8933002383	12038		FORD			96067370	12024	
AUDI						96068627	12032	
			1L2A-12A648AA	12065	—	GEO		
026-906-161	12042	—	1L2Z-12A648AA	12065	—	12146312	12001	12500
0-280-130-053	12050	—	D84Y-12A648A	12011	—	94847363	12032	—
035-919-369M	12043	—	E0AE-12A648AA	12011	—	94853124	12032	—
8A0-906-091A	12042	—	E0AZ-12A648A	12011	—	96062513	12032	—
BMW			E1AF-12A648AA	12011	—	96068627	12032	—
			E1AZ-12A648A	12011	—	HONDA		
0-280-130-023	12026	—	E2AF-12A648AA	12011	—			
0-280-130-026	12041	—	E3VY-12A648A	12063	—	37870-PD1-003	12019	
12-62-1-288-158	12043	—	E4AF-12A648AA	12011	—	37870-PD6-003	12022	—
13-62-1-357-414	12026	—	E6DZ-12A648A	12011	—	37870-PE0-660	12019	—
BOSCH			E80Y-19E702A	12011	—	37870-PE0-661	12019	—
			E8GY-12A648A	12024	—	37870-PE2-003	12020	—
0-280-130-012	12040	—	F1AF-12A648BA	12011	—	37870-PE7-661	12021	—
0-280-130-023	12026	—	F1AZ-12A648B	12011	—	37870-PI7-003	12029	—
0-280-130-026	12041	—	F2AF-12A648AA	12011	—	37870-PJ7-003	12029	—
0-280-130-032	12047	—	F2AZ-12A648A	12011	—	37870-PK2-005	12029	—
0-280-130-037	12043	—	F2AZ-12A648AA	12011	—	HYUNDAI		
0-280-130-040	12042	—	F2VF-12A648AA	12063	—			
0-280-130-043	12043	—	F2VY-12A648AA	12063	—	39220-21300	12030	—
0-280-130-053	12050	—	F32Z-12A648A	12032	—	39220-21310	12030	—
0-280-130-062	12030	—	F3AF-12A648AA	12011	—	39220-21320	12030	—
0-280-130-081	12053	—	F3VF-12A647AA	12063	—	39220-21330	12030	—
0-280-130-082	12053	—	F3VY-12A647A	12063	—	39220-22010	12041	—
CADILLAC			F3XA-12A648AA	12063	—	39220-35520	12044	—
			F3XY-12A648A	12063	—	INFINITI		
8993298	—	12500	F3ZF-12A648AA	12039	—			
10045847	—	12500	F4TZ-12A648A	12011	—	22630-43Y00	12053	—
12146312	12001	12500	F5AF-12A648AA	12045	—	22630-44B10	12053	—
15326388	12027	—	F5AF-12A648AB	12045	—	22630-44B20	12053	—
25036092	—	12500	F5AZ-12A648A	12045	—	22630-51E00	12024	—
25036979	12001	12500	F62F-12A648AA	12046	—	22630-71L00	12053	—
CHRYSLER			F65Z-6G004AB	12064	—	22630-V5010	12024	—
			F6DZ-19E702A	12011	—	ISUZU		
4661341	12058	—	F6XA-12A648AA	12053	—			
4720315	12056	—	F77F-12A648AA	12046	—	8-12146-312-0	12001	—
5226355	12014	—	GENERAL MOTORS			8-15326386-0	12001	—
5226356	12013	—				8-25036-979-0	12001	—
5226357	12014	—	8133450	12001	—	8-94205-866-0	12026	—
5226374	12014	—	8993298	—	12500	JAGUAR		
33004281	12014	—	8993311	—	12500			
56004815	12052	—	10045847	12001	12500	LNA 1600AA	12032	—
56027873	12060	—	10096181	12062	—	JEEP		
8933002383	12038	—	12146312	12001	12500			
M56027873	12060	—	12191170	12027	—	3241950	12001	—
MD069879	12030	—	15326386	12001	12500	8132906	—	12500
MD082430	12031	—	15326388	12027	—	8133450	12500	—
140			15369305	12027	—	33004281	12014	—

ENGINE COOLANT TEMPERATURE SENSORS

OEM INTERCHANGES

OEM#	PART#	UNIV PART#	OEM#	PART#	UNIV PART#	OEM#	PART#	UNIV PART#
56004815	12052	—	NISSAN			SAAB		
56027873	12060	—	22630-01P01	12023	—	0-280-130-026	12041	—
898350327	12001	—	22630-0M200	12053	—	87-88-200	12047	—
8933002383	12038	—	22630-10G00	12026	—	SATURN		
M56027873	12060	—	22630-43Y00	12053	—	21020104	12128	—
KIA			22630-44B10	12053	—	SUBARU		
MB59318840A	12032	—	22630-44B20	12053	—	22630-AA040	12051	—
OKO1118840	12024	—	22630-51E00	12024	—	22630-AA041	12051	—
LAND ROVER			22630-51E10	12024	—	SUZUKI		
ECT-8496	12048	—	22630-71L00	12053	—	13650-51G10	12032	—
LEXUS			22630-D5900	12024	—	13650-57F00	12032	—
89422-20010	12032	—	22630-N4200	12026	—	13650-61B00	12032	—
MAZDA			22630-P8100	12025	—	13650-64B00	12054	—
8574-18-840	12024	—	22630-S1E10	12024	—	13650-71C00	12032	—
B3C8-18-840	12024	—	22630-V5010	12024	—	13650-84101	12024	—
B593-18-840	12032	—	OPEL			TOYOTA		
B593-18-840A	12032	—	0-280-130-023	12026	—	89422-12010	12024	—
FS18-18-840	12039	—	PEUGEOT			89422-20010	12032	—
FSB9-18-840	12046	—	0-280-130-026	12041	—	89422-30020	12024	—
ZZL0-18-707	12011	—	0-280-130-032	12047	—	89422-35010	12032	—
ZZL0-18-707A	12011	—	PORSCHE			89422-87701	12024	—
ZZM0-18-707	12011	—	0-280-130-012	12040	—	VOLVO		
ZZM1-18-707	12045	—	0-280-130-026	12041	—	1306937	12026	—
MERKUR			0-280-130-032	12047	—	1346030	12047	—
E1AZ-12A648A	12011	—	928-606-125-01	12026	—	0-280-130-023	12026	—
MITSUBISHI			928-606-126-00	12047	—	0-280-130-026	12041	—
M33004281	12014	—	RENAULT			3433477-1	12047	—
M56027873	12060	—	8933002383	12038	—	VW		
MD069879	12030	—	0-280-130-023	12026	—	022-906-041	12040	—
MD149338	12044	—	77-00-582-688	12026	—	025-906-041	12041	—
MD177572	12055	—	ROLLS ROYCE			026-906-161	12042	—
MDO82430	12031	—	0-280-130-026	12041	—	034-906-161	12050	—
						035-919-369M	12043	—
						25906041A	12040	—
						28906041A	12040	—

ENGINE COOLANT TEMPERATURE SENSORS

NUMERICAL LIST

PART#	APPLICATION & YEAR	FIG#
12001	AM GENERAL 95-01, ACURA TRK 96-99, BUICK, CAD, CHEV TRK, GMC TRK 85-0, HONDA TRK 94-02, ISUZU 90-93, ISUZU TRK 93-02, CHEV 84-04, GEO 90-93, OLDS, PONT 81-04, OLDS TRK 91-04, PONT TRK 92-04	9
12011	FORD 83-03, F TRK 81-03, LINC 80-95, MAZDA TRK 91-94, MERC 83-95, MERC TRK 98-02, MERKUR 85-90	8
12013	CHRY 85-91, DODGE, PLY 84-91, D TRK 86-90	6
12014	CHRY 84-97, CHRY TRK 90-95, DODGE, D TRK 84-97, PLY 84-92, PLY TRK 87-95, EAGLE 93-96, JEEP 88-96	7
12019	HONDA 83-88	10
12020	ACURA 86-87, HONDA 86-88	11
12021	HONDA 85-88	11
12022	ACURA 70-90, HONDA 85-88	12
12023	FORD 94-97, INFINITY 90-92, NISSAN 83-89, NISSAN TRK 86-92	1
12024	CHEV 87-90,DAIHATSU 88-92, FORD 89-96, GEO 89-91,INFINITY 90-93, KIA 95-97, KIA TRK 93-95, LINC 00, MAZDA 83-94, MAZDA TRK 86-91, MERC 88-89, 91-96, NISSAN, NISSAN TRK 83-95, SUZUKI 89-91, SUZUKI TRK 89-90, TOYOTA 79-80,82-89, TOYOTA TRK 83-88,90	5
12025	NISSAN 79-83	1
12026	ALFA ROMEO 81-89, BMW 75-88,90-91, FIAT 79-83, HYUNDAI 94-96, JAGUAR 78-81, LANCIA 80-82, NISSAN 75-94, NISSAN TRK 83-85, OPEL 75, PORSCHE 80-84, RENAULT 75-77,80-86, TRIUMPH 80-81, VOLVO 82-85	3
12027	CAD TRK 02-04, CHEV 97-04, CHEV TRK 99-04, GMC TRK 99-04, PONT 88-99, 02-04, SATURN 00-02	2
12029	ACURA 91-02, ACURA TRK 01-02, HONDA 91-02, HONDA TRK 95-03,CHRY 87-89, DODGE 85-94,	12
12030	EAGLE 89-96, HYUNDAI 86-94, MITSUBISHI, PLY 84-94, MITSUBISHI TRK 85-95, 01	4
12031	NISSAN 83	4
12032	CHEV TRK 98, FORD 93-97, GEO 89-97, GEO TRK 89-98, JAGUAR 95-99, KIA 93-97, LEXUS 90-02, LEXUS TRK 96-02, MAZDA 93-02, MAZDA TRK 89-98, SUZUKI 92-95, SUZUKI TRK 97-98, TOYOTA 87-02, TOYOTA TRK 84-02	11
12038	EAGLE 88-90, JEEP 87-90, RENAULT 85-87	13
12039	FORD 93-95, MAZDA 94-96	15
12040	PORSCHE 72-76, VW 70-79, VW TRK 74-83	16
12041	ALFA ROMEO, YUGO 90-92, BENTLEY 88-94, BMW 85-92, FERRARI 90-97, HYUNDAI 93-95, PEUGEOT 84-91, PORSCHE 84-94, ROLLS ROYCE 90-94, SAAB 85-93, VW 87-88, VW TRK 83-85, VOLVO 83-90	3
12042	AUDI 84,88-90,92-94, VW 85-95	17
12043	AUDI 84-92, VW 85-88	18
12044	DODGE, EAGLE 95-96, MITSUBISHI 91-98, MITSUBISHI TRK 91-95	19
12045	FORD 96-03, FORD TRK 96-04, LINC 95-01, LINC TRK 98-04, MAZDA TRK, MERC 95-02, MERC TRK 97-04	20
12046	FORD 96-03, FORD TRK 97-04, MAZDA 96-02, MERC TRK 98-03	21
12047	FERRARI 87-91, PEUGEOT 87-88, PORSCHE 88-95, VOLVO 87-95	3
12048	LAND ROVER 87-97	22
12049	DAIHATSU 89-92, DAIHATSU TRK 90-92	30
12050	AUDI 87-92	26
12051	SUBARU 92-99, SUBARU TRK 98	23
12052	CHRY 96-97, DODGE TRK 98-03, JEEP 93-98, PLY TRK 96-97	28
12053	INFINITI 96-01, INFINITI TRK 97-01, NISSAN 95-02, NISSAN TRK 96-02	30
12054	SUZUKI 89-94	25
12055	MITSUBISHI 93-97	27
12056*	DODGE TRK 97-99	31
12058	DODGE, PLY 95-99	9
12060*	CHRY 97-00, CHRY TRK 98-00, DODGE 97-99, DODGE TRK 97-03, JEEP 97-03, MITSUBISHI 99, PLY 97-99, PLY TRK 98-00	32
12061*	CHEV TRK 96-02, OLDSMOBILE 95	33
12062*	BUICK 94-02, CHEV 94-01, CHEV TRK 94-99, GMC TRK 94-97, OLDS 94-99, OLDS TRK 96-99, PONT TRK 96-99, PONT 92-94, 96-03	34
12063*	FORD 92-96, LINCOLN 96	35
12064*	FORD 98-03, LINCOLN 98-03, MERCURY 98-03, FORD TRK 97-03, MERCURY TRK 02-03	36
12065*	FORD 01-03, FORD TRK 00-04, MAZDA TRUCK 01-02, MERCURY 01-02, MERCURY TRK 02-03	37
12067*	CHEV TRK 02-04, GMC TRK 02-04, OLDS TRK 02-04	38
12128	SATURN 91-98	29
12500	(UNIVERSAL#) BUICK 79-80,85-95, CAD 80-95, CHEV 79-95, C TRK, GMC TRK 82-96, CHRY TRK, D TRK, PLY TRK 91-94, JEEP 80-83, OLDS, PONT 79-96	14



FIG. 1



FIG. 2



FIG. 3



FIG. 4



FIG. 5



FIG. 6



FIG. 7



FIG. 8



FIG. 9



FIG. 10



FIG. 11



FIG. 12



FIG. 13



FIG. 14



FIG. 15

ENGINE COOLANT TEMPERATURE SENSORS

ILLUSTRATED PARTS GUIDE



FIG. 16



FIG. 17

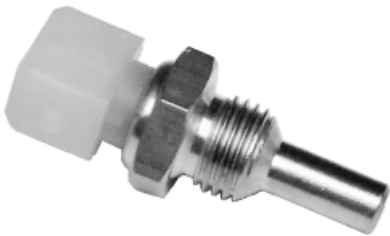


FIG. 18



FIG. 19



FIG. 20



FIG. 21



FIG. 22



FIG. 23

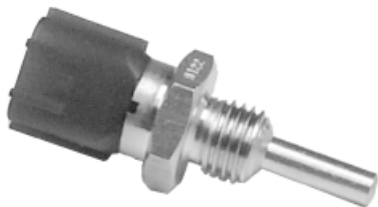


FIG. 24



FIG. 25



FIG. 26



FIG. 27



FIG. 28

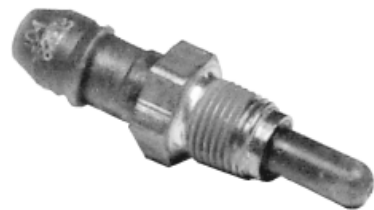


FIG. 29



FIG. 30



FIG. 31



FIG. 32



FIG. 33



FIG. 34



FIG. 35



FIG. 36



FIG. 37



FIG. 38