

DELTA PRESSURE FEEDBACK EGR (DPFE) SENSORS

WHAT THEY DO

Monitor exhaust pressure changes above and below a metered orifice. The sensor converts the pressure into an analog signal, which is sent to the computer to compute optimum EGR flow.

FAILURE SYMPTOMS

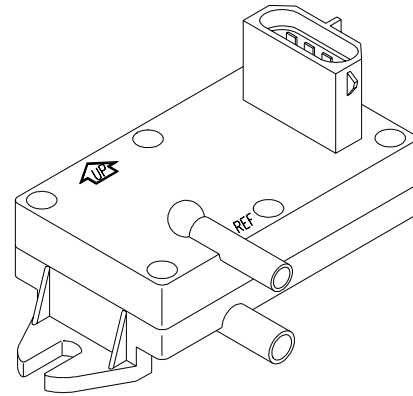
Rough idle, pinging, overheating, loss of power, MIL light.

MAINTENANCE/SERVICE

Check when EGR is not functioning correctly, during emissions performance check, when vehicle fails emissions test for NOx, or when codes indicate trouble.

LOCATION

On engine or fire wall.



YEAR	ENGINE	FOOTNOTE	NOTE	OE #	PART #
FORD					
4 CYL.					
Contour					
1999-1996	2.0L (3) 121"		Marked With OE #	F4ZZ-9J460B	10906
1999-1996	2.0L (3) 121"		Marked With OE #	F77Z-9J460AB	10903
1999-1998	2.0L (3) 121"		Marked With OE #	F8RZ-9J460AA, 98BB-AB	10905
1999-1996	2.0L (Z) 121"		Marked With OE #	F4ZZ-9J460B	10906
1999-1996	2.0L (Z) 121"		Marked With OE #	F77Z-9J460AB	10903
1999-1998	2.0L (Z) 121"		Marked With OE #	F8RZ-9J460AA, 98BB-AB	10905
Escort					
1996	1.9L (J) 116"		Marked With OE #	F4ZZ-9J460B, F48E-BA, BB	10906
1999-1998	2.0L (3) 121"		Marked With OE #	F7UE-9J460AA, F7UZ-AA	10903
1999-1998	2.0L (P) 121"		Marked With OE #	F7UE-9J460AA, F7UZ-AA	10903
2004-2000	2.0L (P) 121"		Marked With OE #	F4ZZ-9J460B	10906
2004-2000	2.0L (P) 121"		Marked With OE #	F77Z-9J460AB	10903
Focus					
2000	2.0L (3) 121"		Marked With OE #	F77E-9J460AA, AB, F7ZZ-AA, AB	10903
2004	2.0L (3) 121"		Marked With OE #	F77Z-9J460AB	10903
2004-2003	2.0L (3) 121"		Marked With OE #	2F1Z-9J460AA	10910
2004-2003	2.0L (5) 121"		Marked With OE #	F77Z-9J460AB	10903
2002-2001	2.0L (P) 121"		Marked With OE #	F8RZ-9J460AA, 3S4Z-9J460AA	10905
6 CYL.					
Contour					
1999-1998	2.5L (G) 155"		Marked With OE #	F77E-9J460AA, AB, F77Z-AA, AB	10903
1999-1998	2.5L (G) 155"		Marked With OE #	F4ZZ-9J460B, F48E-BA, BB	10906
1999-1998	2.5L (G) 155"		Marked With OE #	F7UE-9J460AA, F7UZ-AA	10903
1995	2.5L (L) 155"		Marked With OE #	F5RZ-9J460A, 93BB-AA, AB	10909

DELTA PRESSURE FEEDBACK EGR SENSORS

YEAR	ENGINE	FOOTNOTE	NOTE	OE #	PART #
FORD 6 CYL. Contour (Cont'd)					
1997-1995	2.5L (L) 155"		Marked With OE #	F77E-9J460AA, AB, F77Z-AA, AB	10903
1997-1995	2.5L (L) 155"		Marked With OE #	F4ZZ-9J460B, F48E-BA, BB	10906
1997-1995	2.5L (L) 155"		Marked With OE #	F7UE-9J460AA, F7UZ-AA	10903
1999-1998	2.5L (L) 155"		Marked With OE #	F4ZZ-9J460B, F48E-BA, BB	10906
1999-1998	2.5L (L) 155"		Marked With OE #	F7UE-9J460AA, F7UZ-AA	10903
1999-1998	2.5L (L) 155"		Marked With OE #	F77E-9J460AA, AB, F77Z-AA, AB	10903
Mustang					
1997-1994	3.8L (4) 232"		Marked With OE #	F4ZZ-9J460B, F48E-BA, BB	10906
2000-1998	3.8L (4) 232"		Marked With OE #	F7UE-9J460AA, F7UZ-AA	10903
Taurus					
1995-1993	3.0L (1) 183"	FFV	Marked With OE #	F1AE-9J460AA, F1AZ-A	10909
1999-1996	3.0L (1) 183"		Marked With OE #	F7UE-9J460AA, F7UZ-AA	10903
1999-1996	3.0L (1) 183"		Marked With OE #	F4ZZ-9J460B, F48E-BA, BB	10906
1999-1996	3.0L (2) 183"		Marked With OE #	F7UE-9J460AA, F7UZ-AA	10903
1999-1996	3.0L (2) 183"		Marked With OE #	F4ZZ-9J460B, F48E-BA, BB	10906
2000	3.0L (2) 183"		Marked With OE #	F7UZ-9J460AA, F77Z-9J460AB	10903
2003	3.0L (2) 183"		Marked With OE #	F77Z-9J460AB	10903
1999-1996	3.0L (S) 183"		Marked With OE #	F7UE-9J460AA, F7UZ-AA	10903
1999-1998	3.0L (S) 183"		Marked With OE #	F77E-9J460AA, AB, F77Z-AA, AB	10903
2000	3.0L (S) 183"		Marked With OE #	YF1Z-9J460AC	10910
2002	3.0L (S) 183"		Marked With OE #	YF1Z-9J460AC	10910
2003	3.0L (S) 183"		Marked With OE #	F77Z-9J460AB	10903
1999-1996	3.0L (U) 183"		Marked With OE #	F7UE-9J460AA, F7UZ-AA	10903
2000	3.0L (U) 183"		Marked With OE #	F7UZ-9J460AA, F77Z-9J460AB	10903
2004-2003	3.0L (U) 183"		Marked With OE #	F77Z-9J460AB	10903
1995-1993	3.8L (4) 232"		Marked With OE #	F1AE-9J460AA, F1AZ-A	10909
Taurus SHO					
1995-1993	3.2L (P) 195"		Marked With OE #	F1AE-9J460AA, F1AZ-A	10909
Thunderbird					
1995	3.8L (4) 232"		Marked With OE #	F1AE-9J460AA, F1AZ-A	10909
1997-1994	3.8L (4) 232"		Marked With OE #	F4ZZ-9J460B, F48E-BA, BB	10906
1995-1994	3.8L (R) 232"	SC	Marked With OE #	F1AE-9J460AA, F1AZ-A	10909
8 CYL. Crown Victoria					
2000-1998	4.6L (6) 281"		Marked With OE #	F77E-9J460AA, AB, F77Z-AA, AB	10903
2002-2001	4.6L (9) 281"		Marked With OE #	YF1Z-9J460AC	10910
1994	4.6L (W) 281"		Marked With OE #	F1AE-9J460AA, F1AZ-A	10909
1997-1995	4.6L (W) 281"		Marked With OE #	F4ZZ-9J460B, F48E-BA, BB	10906
2000-1998	4.6L (W) 281"		Marked With OE #	F77E-9J460AA, AB, F77Z-AA, AB	10903
2002-2001	4.6L (W) 281"		Marked With OE #	YF1Z-9J460AC	10910
Mustang					
1997-1996	4.6L (V) 281"		Marked With OE #	F50E-9J460AA, F50Z-AA	10901
1997-1996	4.6L (V) 281"		Marked With OE #	F4ZZ-9J460B, F48E-BA, BB	10906
2003-1998	4.6L (V) 281"	DOHC	Marked With OE #	F77E-9J460AA, AB, F77Z-AA, AB	10903
1997-1996	4.6L (X) 281"		Marked With OE #	F4ZZ-9J460B, F48E-BA, BB	10906
2003-1998	4.6L (X) 281"	SOHC	Marked With OE #	F77E-9J460AA, AB, F77Z-AA, AB	10903
Taurus SHO					
1997-1996	3.4L (N) 207"		Marked With OE #	F4ZZ-9J460B, F48E-BA, BB	10906
1999-1998	3.4L (N) 207"		Marked With OE #	F7UE-9J460AA, F7UZ-AA	10903
Thunderbird					
2002	3.9L (A) 241"		Marked With OE #	F77Z-9J460AB	10903

DELTA PRESSURE FEEDBACK EGR SENSORS

YEAR	ENGINE	FOOTNOTE	NOTE	OE #	PART #
FORD TRUCK					
4 CYL.					
Escape					
2002-2001	2.0L (B) 121"		Marked With OE #	2F1Z-9J460AA, 47UZ-9J460AA	10910
2004-2003	2.0L (B) 121"		Marked With OE #	F77Z-9J460AB	10903
Ranger					
1994	2.3L (A) 140"	MT From 9/27/94	Marked With OE #	F37E-9J460AA, F37Z-A	10908
1994	2.3L (A) 140"	MT Before 9/27/94	Marked With OE #	F1AE-9J460AA, F1AZ-A	10909
1994	2.3L (A) 140"	AT	Marked With OE #	F1AE-9J460AA, F1AZ-A	10909
1997-1995	2.3L (A) 140"		Marked With OE #	F4ZZ-9J460B, F48E-BA, BB	10906
2001-1998	2.5L (B) 153"		Marked With OE #	F7UE-9J460AA, F7UZ-AA	10903
6 CYL.					
Aerostar					
1997-1996	3.0L (U) 182"		Marked With OE #	F4ZZ-9J460B, F48E-BA, BB	10906
1997-1996	4.0L (X) 245"		Marked With OE #	F4ZZ-9J460B, F48E-BA, BB	10906
E150					
2003-1997	4.2L (2) 256"		Marked With OE #	F4ZZ-9J460B, F48E-BA, BB	10906
2003-1997	4.2L (2) 256"		Marked With OE #	F77Z-9J460AB	10903
1995	4.9L (Y) 300"		Marked With OE #	F37E-9J460AA, F37Z-A	10908
1996	4.9L (Y) 300"		Marked With OE #	F4ZZ-9J460B, F48E-BA, BB	10906
E250					
2003-1997	4.2L (2) 256"		Marked With OE #	F4ZZ-9J460B, F48E-BA, BB	10906
1995	4.9L (Y) 300"		Marked With OE #	F37E-9J460AA, F37Z-A	10908
1996	4.9L (Y) 300"		Marked With OE #	F4ZZ-9J460B, F48E-BA, BB	10906
E350					
1995	4.9L (Y) 300"		Marked With OE #	F37E-9J460AA, F37Z-A	10908
1996	4.9L (Y) 300"		Marked With OE #	F4ZZ-9J460B, F48E-BA, BB	10906
Explorer					
2003-2001	4.0L (E)		Marked With OE #	4U7Z-9J460AA	10910
2004	4.0L (E)		Marked With OE #	F77Z-9J460AB	10903
2001-1997	4.0L (E) 245"		Marked With OE #	F77E-9J460AA, AB, F77Z-AA, AB	10903
2003-2001	4.0L (K)		Marked With OE #	4U7Z-9J460AA	10910
1993	4.0L (X) 245"	w/EGR	Marked With OE #	F1AE-9J460AA, F1AZ-A	10909
1994	4.0L (X) 245"		Marked With OE #	F1AE-9J460AA, F1AZ-A	10909
1996-1995	4.0L (X) 245"		Marked With OE #	F37E-9J460AA, F37Z-A	10908
1999-1998	4.0L (X) 245"		Marked With OE #	F77E-9J460AA, AB, F77Z-AA, AB	10903
2001-1996	4.0L (X) 245"		Marked With OE #	F4ZZ-9J460B, F48E-BA, BB	10906
Explorer Sport/Sport Trac					
2002-2001	4.0L (E)		Marked With OE #	4U7E-9J460AA	10910
2004-2001	4.0L (E)		Marked With OE #	F77Z-9J460AB	10903
F150					
2003-1997	4.2L (2) 256"		Marked With OE #	F7UE-9J460AA, F7UZ-AA	10903
1995	4.9L (Y) 300"		Marked With OE #	F37E-9J460AA, F37Z-A	10908
1996	4.9L (Y) 300"		Marked With OE #	F4ZZ-9J460B, F48E-BA, BB	10906
F150 Heritage					
2004	4.2L (2) 256"		Marked With OE #	F77Z-9J460AB	10903
F150 SVT					
2004	4.2L (2) 256"		Marked With OE #	F77Z-9J460AB	10903
F250					
1995	4.9L (Y) 300"		Marked With OE #	F37E-9J460AA, F37Z-A	10908
1996	4.9L (Y) 300"		Marked With OE #	F4ZZ-9J460B, F48E-BA, BB	10906
F350					
1995	4.9L (Y) 300"		Marked With OE #	F37E-9J460AA, F37Z-A	10908
1996	4.9L (Y) 300"		Marked With OE #	F4ZZ-9J460B, F48E-BA, BB	10906

DELTA PRESSURE FEEDBACK EGR SENSORS

YEAR	ENGINE	FOOTNOTE	NOTE	OE #	PART #
FORD TRUCK 6 CYL. (Cont'd)					
Ranger					
1994-1993	3.0L (U) 182"	w/EGR	Marked With OE #	F37E-9J460AA, F37Z-A	10908
1997-1995	3.0L (U) 182"		Marked With OE #	F4ZZ-9J460B, F48E-BA, BB	10906
2004-1998	3.0L (U) 182"		Marked With OE #	F7UE-9J460AA, F7UZ-AA	10903
1994-1993	4.0L (X) 245"	w/EGR	Marked With OE #	F1AE-9J460AA, F1AZ-A	10909
1997-1995	4.0L (X) 245"		Marked With OE #	F4ZZ-9J460B, F48E-BA, BB	10906
2000-1998	4.0L (X) 245"		Marked With OE #	F77E-9J460AA, AB, F77Z-AA, AB	10903
Windstar					
1997-1995	3.0L (U) 182"		Marked With OE #	F4ZZ-9J460B, F48E-BA, BB	10906
2000-1998	3.0L (U) 182"		Marked With OE #	F7UE-9J460AA, F7UZ-AA	10903
1997-1995	3.8L (4) 232"		Marked With OE #	F4ZZ-9J460B, F48E-BA, BB	10906
2001-1998	3.8L (4) 232"	Before 7/31/01	Marked With OE #	F7UE-9J460AA, F7UZ-AA	10903
2003	3.8L (4) 232"		Marked With OE #	F77Z-9J460AA	10903
8 CYL.					
Bronco					
1996	5.0L (N) 302"		Marked With OE #	F4ZZ-9J460B, F48E-BA, BB	10906
1995	5.8L (H) 351"		Marked With OE #	F37E-9J460AA, F37Z-A	10908
1996	5.8L (H) 351"		Marked With OE #	F4ZZ-9J460B, F48E-BA, BB	10906
E150					
1999-1997	4.6L (6) 281"		Marked With OE #	F4ZZ-9J460B, F48E-BA, BB	10906
2000-1999	4.6L (W) 281"		Marked With OE #	F77Z-9J460AB	10903
1996	5.0L (N) 302"		Marked With OE #	F4ZZ-9J460B, F48E-BA, BB	10906
2004-1997	5.4L (L) 330"		Marked With OE #	F7UE-9J460AA, F7UZ-AA	10903
1995	5.8L (H) 351"		Marked With OE #	F37E-9J460AA, F37Z-A	10908
1996	5.8L (H) 351"		Marked With OE #	F4ZZ-9J460B, F48E-BA, BB	10906
E250					
1996	5.0L (N) 302"		Marked With OE #	F4ZZ-9J460B, F48E-BA, BB	10906
2004-1997	5.4L (L) 330"		Marked With OE #	F7UE-9J460AA, F7UZ-AA	10903
1995	5.8L (H) 351"		Marked With OE #	F37E-9J460AA, F37Z-A	10908
1996	5.8L (H) 351"		Marked With OE #	F4ZZ-9J460B, F48E-BA, BB	10906
1996	7.5L (G) 460"		Marked With OE #	F4ZZ-9J460B, F48E-BA, BB	10906
E350					
2004-1997	5.4L (L) 330"		Marked With OE #	F7UE-9J460AA, F7UZ-AA	10903
1995	5.8L (H) 351"		Marked With OE #	F37E-9J460AA, F37Z-A	10908
1996	5.8L (H) 351"		Marked With OE #	F4ZZ-9J460B, F48E-BA, BB	10906
1996	7.5L (G) 460"		Marked With OE #	F4ZZ-9J460B, F48E-BA, BB	10906
Excursion					
2004-2000	5.4L (L) 330"		Marked With OE #	F77Z-9J460AB	10903
Expedition					
2000-1997	4.6L (6) 281"		Marked With OE #	F4ZZ-9J460B, F48E-BA, BB	10906
2000-1997	4.6L (W) 281"		Marked With OE #	F4ZZ-9J460B, F48E-BA, BB	10906
2002-1997	5.4L (L) 330"		Marked With OE #	F7UE-9J460AA, F7UZ-AA	10903
Explorer					
2003-2001	4.6L (W) 281"		Marked With OE #	4U7Z-9J460AA	10910
2004	4.6L (W) 281"		Marked With OE #	F77Z-9J460AB	10903
1998-1996	5.0L (P) 302"		Marked With OE #	F4ZZ-9J460B, F48E-BA, BB	10906
2000-1999	5.0L (P) 302"		Marked With OE #	F7UE-9J460AA, F7UZ-AA	10903
F150					
1998-1997	4.6L (6) 281"		Marked With OE #	F4ZZ-9J460B, F48E-BA, BB	10906
2003-2002	4.6L (6) 281"		Marked With OE #	F77Z-9J460AB	10903
1998-1997	4.6L (W) 281"		Marked With OE #	F4ZZ-9J460B, F48E-BA, BB	10906
2003-1999	4.6L (W) 281"		Marked With OE #	F7UE-9J460AA, F7UZ-AA	10903
1996	5.0L (N) 302"		Marked With OE #	F4ZZ-9J460B, F48E-BA, BB	10906
2003-1997	5.4L (L) 330"		Marked With OE #	F4ZZ-9J460B, F48E-BA, BB	10906
2003-1999	5.4L (M) 330"		Marked With OE #	F7UE-9J460AA, F7UZ-AA	10903

DELTA PRESSURE FEEDBACK EGR SENSORS

YEAR	ENGINE	FOOTNOTE	NOTE	OE #	PART #
FORD TRUCK 8 CYL. F150 (Cont'd)					
2003-1998	5.4L (Z) 330"		Marked With OE #	F7UE-9J460AA, F7UZ-AA	10903
1995	5.8L (H) 351"		Marked With OE #	F37E-9J460AA, F37Z-A	10908
1996	5.8L (H) 351"		Marked With OE #	F4ZZ-9J460B, F48E-BA, BB	10906
F150 Heritage					
2004	4.6L (6) 281"		Marked With OE #	F77Z-9J460AB	10903
2004	4.6L (W) 281"		Marked With OE #	F77Z-9J460AB	10903
2004	5.4L (3) 330"		Marked With OE #	F77Z-9J460AB	10903
2004	5.4L (L) 330"		Marked With OE #	F77Z-9J460AB	10903
F150 Lightning					
2003-1999	5.4L (3) 330"		Marked With OE #	F77Z-9J460AB	10903
F150 SVT					
2004	4.6L (6) 281"		Marked With OE #	F77Z-9J460AB	10903
2004	4.6L (W) 281"		Marked With OE #	F77Z-9J460AB	10903
2004	5.4L (3) 330"		Marked With OE #	F77Z-9J460AB	10903
2004	5.4L (L) 330"		Marked With OE #	F77Z-9J460AB	10903
F250					
1998-1997	4.6L (6) 281"		Marked With OE #	F4ZZ-9J460B, F48E-BA, BB	10906
1999	4.6L (6) 281"		Marked With OE #	F7UE-9J460AA, F7UZ-AA	10903
1998-1997	4.6L (W) 281"		Marked With OE #	F4ZZ-9J460B, F48E-BA, BB	10906
1999	4.6L (W) 281"		Marked With OE #	F7UE-9J460AA, F7UZ-AA	10903
1996	5.0L (N) 302"		Marked With OE #	F4ZZ-9J460B, F48E-BA, BB	10906
1998-1997	5.4L (L) 330"		Marked With OE #	F4ZZ-9J460B, F48E-BA, BB	10906
1999	5.4L (L) 330"		Marked With OE #	F7UE-9J460AA, F7UZ-AA	10903
1998-1997	5.4L (M) 330"		Marked With OE #	F4ZZ-9J460B, F48E-BA, BB	10906
1999	5.4L (M) 330"		Marked With OE #	F7UE-9J460AA, F7UZ-AA	10903
1995	5.8L (H) 351"		Marked With OE #	F37E-9J460AA, F37Z-A	10908
1996	5.8L (H) 351"		Marked With OE #	F4ZZ-9J460B, F48E-BA, BB	10906
1997	5.8L (H) 351"	Over 8500GVW	Marked With OE #	F4ZZ-9J460B, F48E-BA, BB	10906
1996	7.5L (G) 460"	Cal.Emissions	Marked With OE #	F4ZZ-9J460B, F48E-BA, BB	10906
1997-1996	7.5L (G) 460"	Cal.Emissions, Over 8500GVW	Marked With OE #	F4ZZ-9J460B, F48E-BA, BB	10906
F250 Super Duty					
2003-1999	5.4L (L) 330"		Marked With OE #	F7UE-9J460AA, F7UZ-AA	10903
2003-1999	5.4L (M) 330"		Marked With OE #	F7UE-9J460AA, F7UZ-AA	10903
1996	7.5L (G) 460"	Cal.Emissions	Marked With OE #	F77Z-9J460AB	10903
1997	7.5L (G) 460"	Cal.Emissions, Over 8500GVW	Marked With OE #	F77Z-9J460AB	10903
F350					
1999	5.4L (L) 330"		Marked With OE #	F7UE-9J460AA, F7UZ-AA	10903
1999	5.4L (M) 330"		Marked With OE #	F7UE-9J460AA, F7UZ-AA	10903
1995	5.8L (H) 351"		Marked With OE #	F37E-9J460AA, F37Z-A	10908
1996	5.8L (H) 351"		Marked With OE #	F4ZZ-9J460B, F48E-BA, BB	10906
1997	5.8L (H) 351"	Over 8500GVW	Marked With OE #	F4ZZ-9J460B, F48E-BA, BB	10906
1996	7.5L (G) 460"	Cal.Emissions	Marked With OE #	F4ZZ-9J460B, F48E-BA, BB	10906
1997	7.5L (G) 460"	Cal.Emissions, Over 8500GVW	Marked With OE #	F4ZZ-9J460B, F48E-BA, BB	10906
F350 Super Duty					
2003-1999	5.4L (L) 330"		Marked With OE #	F7UE-9J460AA, F7UZ-AA	10903
2003-1999	5.4L (M) 330"		Marked With OE #	F7UE-9J460AA, F7UZ-AA	10903
1996	7.5L (G) 460"	Cal.Emissions	Marked With OE #	F77Z-9J460AB	10903
1997	7.5L (G) 460"	Cal.Emissions, Over 8500GVW	Marked With OE #	F77Z-9J460AB	10903
10 CYL. E Super Duty					
2001-1999	6.8L (S) 416"		Marked With OE #	F7UE-9J460AA, F7UZ-AA	10903

DELTA PRESSURE FEEDBACK EGR SENSORS

YEAR	ENGINE	FOOTNOTE	NOTE	OE #	PART #
FORD TRUCK 10 CYL. (Cont'd)					
E350					
2004-1997	6.8L (S) 416"		Marked With OE #	F7UE-9J460AA, F7UZ-AA	10903
E450					
2004-2002	6.8L (S) 416"		Marked With OE #	F77Z-9J460AB	10903
Excursion					
2004-2000	6.8L (S) 416"		Marked With OE #	F77Z-9J460AB	10903
F250 Super Duty					
2004-1999	6.8L (S) 416"		Marked With OE #	F7UE-9J460AA, F7UZ-AA	10903
F350 Super Duty					
2004-1999	6.8L (S) 416"		Marked With OE #	F7UE-9J460AA, F7UZ-AA	10903
F450 Super Duty					
2004-1999	6.8L (S) 416"		Marked With OE #	F7UE-9J460AA, F7UZ-AA	10903
F53 STRIPPED CHASSIS					
2004-1999	6.8L (S) 416"		Marked With OE #	F7UE-9J460AA, F7UZ-AA	10903
F550 Super Duty					
2004-1999	6.8L (S) 416"		Marked With OE #	F7UE-9J460AA, F7UZ-AA	10903
LINCOLN					
6 CYL.					
LS					
2002-2000	3.0L (S) 182"		Marked With OE #	F77E-9J460AA, AB, F77Z-AA, AB	10903
8 CYL.					
Continental					
1997-1995	4.6L (V) 281"		Marked With OE #	F50E-9J460AA, F50Z-AA	10901
1999-1998	4.6L (V) 281"		Marked With OE #	F77E-9J460AA, AB, F77Z-AA, AB	10903
1999-1995	4.6L (W) 281"		Marked With OE #	F4ZZ-9J460B, F48E-BA, BB	10906
LS					
2002-2000	3.9L (A) 241"		Marked With OE #	F77Z-9J460AC	10903
Mark Series					
1995-1993	4.6L (V) 281"		Marked With OE #	F1AE-9J460AA, F1AZ-A	10909
1998-1995	4.6L (V) 281"		Marked With OE #	F4ZZ-9J460B, F48E-BA, BB	10906
Town Car					
1994-1991	4.6L (W) 281"		Marked With OE #	F1AE-9J460AA, F1AZ-A	10909
1999-1995	4.6L (W) 281"		Marked With OE #	F4ZZ-9J460B, F48E-BA, BB	10906
2000-1998	4.6L (W) 281"		Marked With OE #	F77E-9J460AA, AB, F77Z-AA, AB	10903
2002-2001	4.6L (W) 281"		Marked With OE #	2F1Z-9J460AA	10910
LINCOLN TRUCK					
8 CYL.					
Blackwood					
2002	5.4L (A) 330"		Marked With OE #	F77Z-9J460AB	10903
Navigator					
2004-1999	5.4L (A) 330"		Marked With OE #	F77Z-9J460AB	10903
1998	5.4L (L) 330"		Marked With OE #	F4ZZ-9J460B, F48E-BA, BB	10906
1999-1998	5.4L (L) 330"		Marked With OE #	F7UE-9J460AA, F7UZ-AA	10903
MERCURY					
4 CYL.					
Cougar					
1999	2.0L (3) 121"		Marked With OE #	F8RZ-9J460AA, 98BB-AB	10905
Mystique					
1999-1996	2.0L (3) 121"		Marked With OE #	F4ZZ-9J460B	10906
1999-1996	2.0L (3) 121"		Marked With OE #	F77Z-9J460AB	10903
1999-1998	2.0L (3) 121"		Marked With OE #	F8RZ-9J460AA, 98BB-AB	10905
Tracer					
1996	1.9L (J) 113"		Marked With OE #	F4ZZ-9J460B, F48E-BA, BB	10906
1999-1998	2.0L (3) 121"		Marked With OE #	F7UE-9J460AA, F7UZ-AA	10903
1999-1998	2.0L (P) 121"		Marked With OE #	F7UE-9J460AA, F7UZ-AA	10903

DELTA PRESSURE FEEDBACK EGR SENSORS

YEAR	ENGINE	FOOTNOTE	NOTE	OE #	PART #
MERCURY (Cont'd)					
6 CYL.					
Cougar					
1999	2.5L (L) 155"		Marked With OE #	F7UE-9J460AA, F7UZ-AA	10903
1999	2.5L (L) 155"		Marked With OE #	F77E-9J460AA, AB, F77Z-AA, AB	10903
1999	2.5L (L) 155"		Marked With OE #	F8RZ-9J460AA, 98BB-AB	10905
2002-2000	2.5L (L) 155"		Marked With OE #	YF1Z-9J460AC	10910
1995-1994	3.8L (4) 232"		Marked With OE #	F1AE-9J460AA, F1AZ-A	10909
1997-1994	3.8L (4) 232"		Marked With OE #	F4ZZ-9J460B, F48E-BA, BB	10906
Mystique					
1995	2.5L (L) 155"		Marked With OE #	F5RZ-9J460A, 93BB-AA, AB	10909
1999-1995	2.5L (L) 155"		Marked With OE #	F77E-9J460AA, AB, F77Z-AA, AB	10903
1999-1995	2.5L (L) 155"		Marked With OE #	F4ZZ-9J460B, F48E-BA, BB	10906
1999-1995	2.5L (L) 155"		Marked With OE #	F7UE-9J460AA, F7UZ-AA	10903
2002-2000	3.0L (S) 182"		Marked With OE #	YF1Z-9J460AC	10910
2000	3.0L (U) 182"		Marked With OE #	F77Z-9J460AB	10903
Sable					
1999-1996	3.0L (S) 182"		Marked With OE #	F4ZZ-9J460B, F48E-BA, BB	10906
1999-1996	3.0L (S) 182"		Marked With OE #	F7UE-9J460AA, F7UZ-AA	10903
1999-1998	3.0L (S) 182"		Marked With OE #	F77E-9J460AA, AB, F77Z-AA, AB	10903
2003	3.0L (S) 182"		Marked With OE #	F77Z-9J460AB	10903
1999-1996	3.0L (U) 182"		Marked With OE #	F4ZZ-9J460B, F48E-BA, BB	10906
1999-1996	3.0L (U) 182"		Marked With OE #	F7UE-9J460AA, F7UZ-AA	10903
2003-2001	3.0L (U) 182"		Marked With OE #	F77Z-9J460AB	10903
1995-1993	3.8L (4) 232"		Marked With OE #	F1AE-9J460AA, F1AZ-A	10909
8 CYL.					
Grand Marquis					
1994	4.6L (W) 281"		Marked With OE #	F1AE-9J460AA, F1AZ-A	10909
1997-1995	4.6L (W) 281"		Marked With OE #	F4ZZ-9J460B, F48E-BA, BB	10906
2000-1998	4.6L (W) 281"		Marked With OE #	F77E-9J460AA, AB, F77Z-AA, AB	10903
2002-2001	4.6L (W) 281"		Marked With OE #	YF1Z-9J460AC	10910
MERCURY TRUCK					
6 CYL.					
Mountaineer					
2003-2001	4.0L (E) 245"		Marked With OE #	4U7Z-9J460AA	10910
2004	4.0L (E) 245"		Marked With OE #	F77Z-9J460AB	10903
2001-1998	4.0L (E) 245"		Marked With OE #	F77E-9J460AA, AB, F77Z-AA, AB	10903
2003-2001	4.0L (K)		Marked With OE #	4U7Z-9J460AA	10910
8 CYL.					
Mountaineer					
2003-2001	4.6L (W) 281"		Marked With OE #	4U7Z-9J460AA	10910
2004	4.6L (W) 281"		Marked With OE #	F77Z-9J460AB	10903
1998-1997	5.0L (P) 302"		Marked With OE #	F4ZZ-9J460B, F48E-BA, BB	10906
2001-1999	5.0L (P) 302"		Marked With OE #	F7UE-9J460AA, F7UZ-AA	10903

DELTA PRESSURE FEEDBACK EGR SENSORS

OEM INTERCHANGES

NUMERICAL LIST

OEM#	PART#	OEM#	PART#	PART#	APPLICATION & YEAR	FIG#
FORD		F4ZZ-9J460B	10906	10901	FORD 96-97, LINC 95-97	2
		F50E-9J460AA	10901	10902	Supercedes to 10909	1
1L3Z-9J460AA	10903	F50Z-9J460AA	10901	10903	FORD 95-99, F TRK 97-99, MERC 95-00, LINC, MERC TRK 98-99,	3
2F1Z-9J460AA	10910	F5RZ-9J460A	10909	10904	Supercedes to 10903	2
4U7Z-9J460AA	10910	F77E-9J460AA	10903	10905	FORD 98-99, MERCURY 98-00	4
93BB-9J460AA	10909	F77E-9J460AB	10903	10906	FORD, MERC 94-99, F TRK, LINC 95-99, LINC TRK 98, MERC TRK 97-98	2
93BB-9J460AB	10909	F77Z-9J460AA	10903	10908	F TRK 94-96	1
98BB-9J460AB	10905	F77Z-9J460AB	10903	10909	FORD, MERC 93-95, F TRK 93-94, LINC 91-95	1
F1AE-9J460AA	10909	F7UE-9J460AA	10903	10910*	FORD 00-04, FORD TRK 01-03, LINC 01-02, MERC 00-02, MERC TRK 01-03	5
F1AZ-9J460A	10909	F7UZ-9J460AA	10903			
F37E-9J460AA	10908	F8RZ-9J460AA	10905			
F37Z-9J460A	10908	YF1Z-9J460AB	10910			
F48E-9J460BA	10906	YF1Z-9J460AC	10910			
F48E-9J460BB	10906					

ILLUSTRATED PARTS GUIDE



FIG. 1

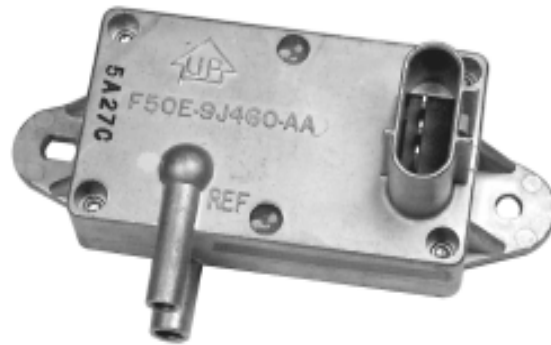


FIG. 2



FIG. 3

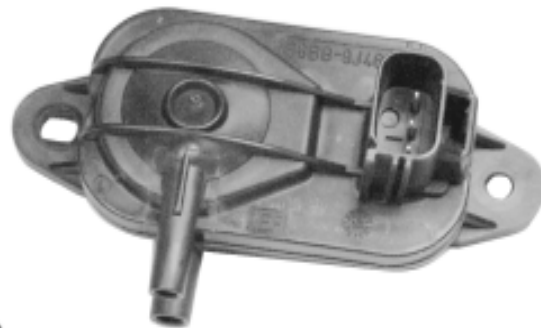


FIG. 4



FIG. 5