

# POSITIVE CRANKCASE VENTILATION (PCV) VALVES

## WHAT THEY DO

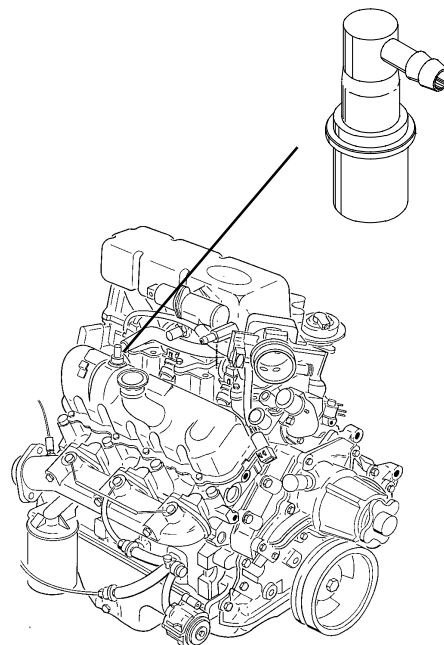
Divert Crankcase vapors to the intake manifold where they are burned with the air/fuel mixture.

## FAILURE SYMPTOMS

Excessive oil consumption, oil in air breather, poor idle quality

## MAINTENANCE/SERVICE

Inspect valve for proper operation at every tune-up or emissions performance check.



YEAR	ENGINE\MODEL	PART#	YEAR	ENGINE\MODEL	PART#
------	--------------	-------	------	--------------	-------

## ACURA

(All Models)

### 4 cyl

1989-88	1.6L 97"	Integra EFI	28087
1987-86	1.6L 97"	Integra	28078
1996-94	1.8L 112"	Integra	28110
1993-92	1.8L 112"	Integra PFI	28039
1991-90	1.8L 112"	Integra PFI	28087

### 5 cyl

1994-92	2.5L 153"	Vigor PFI	28039
---------	-----------	-----------	-------

### 6 cyl

1990-88	2.7L 163"	Legend EFI	28089
1993-91	3.0L 180"	NSX PFI	28103
1995-91	3.2L 196"	Legend PFI	28102
1996	3.5L 213"	RL	28102

- \*1 Valve with no connector as OE manufactured.
- \*2 Valve with "F" connector as OE manufactured by using elbow or "F" connector.
- \*3 Some models may use part #28153

## AMC

(All Models including Jeep 1987-65 for 1996-88 see Jeep)

### 4 cyl

1987-84	2.5L 151"	All	28149
1983-80	All	All	28149
1979-77	All	All	28143

### 6 cyl

1986-84	2.8L 173"	All	28146
1970-67	3.3L 199"	All	28121
1972-71	3.8L 225"	Jeep	28123
1970	3.8L 232"	early Gremlin	28121
1970	3.8L 232"	early Hornet A/T	28121
1970	3.8L 232"		28129
1969-67	3.8L 232"	w/snorkel Rogue	28121
1969-67	3.8L 232"	w/snorkel exc Rogue	28129
1987-84	4.2L 258"		28009
1981	4.2L 258"		28120
1982	All	All	28008
1980-78	All	All	28147
1977-73	All	All	28129

# PCV VALVES

YEAR	ENGINE\MODEL	PART#
<b>AMC 6 cyl (Contd)</b>		
1972-71	All All exc 225 Jeep	28129
1966-65	All	28129
1962-61	All	28122

## 8 cyl

1987-84	5.9L 360"	28130
1983-80	All	28130
1979	All w/rubber grommet	28129
1979	All w/T shape	28130
1978-67	All	28129

# BUICK

(All Models)

**IMPORTANT: To ensure correct replacement check the fifth digit (1980-77) or eighth digit (1996-81) of the (VIN) Vehicle Identification Number located on the dash panel**

## 4 cyl

1986	1.8L (J) 112"	MFI T/C	28011
1986-82	1.8L (O) 112"	TBI	28010
1985	1.8L (J) 112"	MFI T/C	28011
1984	1.8L (J) 112"	MFI	28011
1982	1.8L (G) 112"	2bbl	28146
1989-87	2.0L (1) 121"	EFI	28034
1988-87	2.0L (K) 121"	EFI	28010
1987	2.0L (M) 121"	MFI	28011
1986	2.0L (P) 121"	EFI	28014
1985	2.0L (P) 121"	TBI	28014
1984	2.0L (P) 121"	EFI	28146
1983	2.0L (P) 121"	TBI	28146
1982	2.0L (B) 122"	2bbl	28146
1996-93	2.2L (4) 134"		28034
1991-90	2.5L (R) 151"	TBI	28033
1991-90	2.5L (U) 151"	TBI	28033
1989-88	2.5L (R) 151"	EFI	28033
1989-88	2.5L (U) 151"	EFI	28033
1987	2.5L (R,U) 151"	EFI	28033
1986	2.5L (R,U) 151"	EFI	28013
1985	2.5L (R) 151"	TBI	28013
1985	2.5L (U) 151"	EFI	28013
1984-82	2.5L (R) 151"	TBI	28004
1981-80	2.5L 151"	2bbl	28149

## 6 cyl

1989-87	2.8L (W) 173"	MFI	28020
1986-85	2.8L (X) 173"	2bbl	28146
1985	2.8L (W) 173"	MFI	28146
1984	2.8L (X) 173"	2bbl	28146
1984	2.8L (Z) 173"	2bbl H/O	28146
1983	2.8L (X,Z) 173"	2bbl exc Sport Skylark	28146
1982	2.8L (X) 173"	2bbl	28146
1982	2.8L (Z) 173"	2bbl	28003

YEAR	ENGINE\MODEL	PART#	
1981-80	2.8L 173"	2bbl 28146	
1988-85	3.0L (L) 184"	MFI 28134	
1985	3.0L (E) 184"	2bbl 28012	
1984-82	3.0L (E) 184"	2bbl 28134	
1996-94	3.1L (M) 191"		28020
1993-89	3.1L (T) 189"	MFI	28020
1979	3.2L 196"	2bbl	28133
1978	3.2L 196"	2bbl	28004
1993-89	3.3L (N) 204"	MFI	28040
1996	3.8L (K,1) 231"		28020
1995-94	3.8L (L,1) 231"		28020
1993-90	3.8L (L) 231"	MFI	28020
1992	3.8L (1) 231"	MFI S/C	28020
1991-88	3.8L (C) 231"	MFI,SFI	28040
1988-84	3.8L (3) 231"	SFI (incl. T/C, H/O)	28134
1987-86	3.8L (7) 231"	SFI T/C w/Intercooler	28021
1987-80	3.8L (A) 231"	2bbl	28133
1986	3.8L (7) 231"	SFI T/C w/o Intercooler	28133
1986	3.8L (B) 231"	SFI	28134
1985-84	3.8L (9) 231"	SFI Regal (incl. T/C)	28133
1985-84	3.8L (9) 231"	SFI Riviera (incl. T/C)	28134
1983	3.8L (8) 231"	T/C	28134
1982	3.8L (3) 231"	T/C	28134
1981-80	3.8L (3) 231"	4bbl T/C	28134
1980	3.8L (3) 231"	4bbl T/C	28134
1979	3.8L 231"	2bbl	28133
1979	3.8L 231"	4bbl T/C Riviera	28133
1979	3.8L 231"	4bbl T/C exc Riviera	28134
1978	3.8L 231"	2bbl LeSabre	28133
1978	3.8L 231"	4bbl (incl. T/C)	28134
1978	3.8L 231"	2bbl exc LeSabre	28004
1977-76	3.8L 231"	2bbl	28133
1975	3.8L 231"	2bbl	28123
1984-80	4.1L (4) 252"	4bbl	28133
1975-74	4.1L 250"	1bbl	28134
1973-70	4.1L 250"	1bbl	28128
1969-68	All	All	28128
1967-63	All	All	28123

## 8 cyl

1981-80	4.3L 265"	2bbl	28151
1976-75	4.3L 260"	2bbl	28137
1980	4.9L 301"	4bbl Century Regal Wagon	28144
1980	4.9L 301"	4bbl LeSabre Estate Wagon	28152
1979	4.9L 301"		28144
1978	4.9L 301"	2bbl	28144
1991-90	5.0L (E) 305"	TBI	28052
1990-80	5.0L (Y) 307"	4bbl	28128
1980	5.0L 305"	4bbl	28150
1979	5.0L 305"		28135
1978-77	5.0L 305"	2bbl	28135
1996-94	5.7L (P) 350"		28033
1993-92	5.7L (7) 350"	TBI	28052
1980	5.7L 350"	4bbl	28128
1980-78	5.7L 350"	4bbl	28123
1979-78	5.7L 350"	4bbl	28135
1977	5.7L (H) 350"	2bbl	28123
1977	5.7L (J) 350"	4bbl	28123
1977	5.7L (R) 350"	4bbl exc Riviera	28123

YEAR	ENGINE \ MODEL	PART #
<b>BUICK 8 cyl (Contd)</b>		
1977	5.7L (L) 350" 4bbl	28135
1976-70	5.7L 350"	28123
1979-77	6.6L 403" 4bbl	28123
1975	6.6L 400" 4bbl	28123
1976-70	7.5L 455" 4bbl	28123
1969-68	All All	28123
1967-63	All All	28123

## CADILLAC

(All Models)

**IMPORTANT: To ensure correct replacement check the fifth digit (1980-77) or eighth digit (1996-81) of the (VIN) Vehicle Identification Number located on the dash panel**

### 4 cyl

1982	1.8L (G) 112" 2bbl	28146
1987	2.0L (1) 121" EFI-H/O	28020
1986-85	2.0L (P) 121" EFI	28014
1984-83	2.0L (P) 121" EFI	28146

### 6 cyl

1988-87	2.8L (W) 173" MFI	28020
1986-85	2.8L (W) 173" MFI	28146
1982-80	4.1L (4) 252" 4bbl	28133

### 8 cyl

1988	4.1L (7) 252" DFI	28127
1987-86	4.1L (7,8) 252" DFI	28127
1985	4.1L (8) 252" DFI RWD w/ Aluminum Rocker Arm Lever	28127
1985	4.1L (8) 252" DFI FWD	28135
1985	4.1L (8) 252" DFI RWD w/Steel Rocker Arm Lever	28135
1984-82	4.1L (8) 252" DFI	28127
1992-90	4.5L (8) 273" MFI	28127
1990	4.5L (3) 273" MFI	28135
1989	4.5L (8) 273" DFI	28127
1989-88	4.5L (5) 273" DFI	28127
1996-94	4.6L (Y,9) 281"	28127
1993	4.6L (Y,9) 281"	28135
1995-91	4.9L (B) 300"	28135
1993-91	5.0L (E) 305" TBI	28146
1990-86	5.0L (Y) 307" 4bbl	28128
1989-88	5.0L (9) 307" 4bbl H/O	28128
1996-94	5.7L (P) 350"	28033
1993-89	5.7L (7) 350" TBI	28146
1980-76	5.7L 350" FI	28123
1984	6.0L (6) 368" 4bbl	28005
1984-80	6.0L (9) 368" DFI	28005
1982	6.0L (6) 368" 4bbl	28005
1980	6.0L 368" 4bbl	28123
1979-77	7.0L 425" FI	28123

YEAR	ENGINE \ MODEL	PART #
1979-76	7.0L 425" 4bbl	28123
1975-70	7.7L 472"	28123
1976	All FI	28123
1975-63	All All	28123
1962-61	All All	28122

## CHEVROLET

(All Models including GEO)

**IMPORTANT: To ensure correct replacement check the fifth digit (1980-77) or eighth digit (1996-81) of the (VIN) Vehicle Identification Number located on the dash panel**

### 3 cyl

1996-89	1.0L (6) 61" Metro	28045
1988	1.0L 61" exc T/C	28018
1988	1.0L 61" T/C Sprint	28045
1987	1.0L 61" T/C Sprint	28045
1987-85	1.0L 61" 2bbl	28018

### 4 cyl

1996-95	1.3L (9) 79" Metro	28063
1977	1.4L 85" 1bbl	28142
1989-88	1.5L (9) 92" EFI Spectrum T/C	28016
1996-95	1.6L (6) 97" Prizm	28057
1994	1.6L (6) 98" TBI Prizm	28057
1993-92	1.6L (U) 98" EFI Tracker	28018
1993-91	1.6L (6) 98" MFI SOHC Storm	28039
1993-91	1.6L (5) 98" MFI DOHC Storm	28117
1992-91	1.6L (5,6) 98" PFI Prizm	28019
1991	1.6L (L) 98" EFI Tracker	28018
1990	1.6L 98" EFI Tracker	28018
1990	1.6L 98" EFI Storm exc H/O	28039
1990-89	1.6L 98" EFI Prizm exc H/O	28019
1987-86	1.6L 98" 2bbl Nova	28019
1987-78	1.6L (C) 98" 2bbl	28142
1977	1.6L 98" 1bbl	28142
1996-95	1.8L (8) 110" Prizm	28057
1994	1.8L (8) 110" TBI Prizm	28057
1982	1.8L (G) 112" 2bbl	28146
1989	2.0L 121" EFI Tracker	28018
1989-87	2.0L (1) 121" EFI	28034
1986-85	2.0L (P) 121" EFI	28014
1984-83	2.0L (P) 121" EFI	28146
1982	2.0L (B) 121" 2bbl	28146
1975	2.0L 121" FI	28132
1996-92	2.2L (4) 135"	28034
1991-90	2.2L (G) 135" TBI	28034
1977	2.3L 140" 2bbl	28145
1976	2.3L 140" 2bbl Vega	28142
1976	2.3L 140" 1bbl Monza	28146
1975-71	2.3L 140"	28132
1991-87	2.5L (R) 151" TBI	28033
1986-85	2.5L (R,2) 151" EFI	28013
1984-82	2.5L (R,2) 151" TBI	28004

# PCV VALVES

YEAR	ENGINE\MODEL	PART#
<b>CHEVROLET 4 cyl (Contd)</b>		
1981	2.5L 151" 2bbl	28149
1980	2.5L 151" 2bbl Monza w/M/T	28134
1980	2.5L 151" 2bbl Monza w/A/T	28149
1979	2.5L 151" 2bbl w/M/T	28134
1979	2.5L 151" 2bbl w/A/T	28149
1978	2.5L 151" 2bbl	28134
1970-63	2.5L 151"	28128
1968	All All	28128
<b>6 cyl</b>		
1989-86	2.8L (S,W) 173" MFI	28020
1986-83	2.8L (X) 173" 2bbl	28146
1985	2.8L (W) 173" MFI Citation	28146
1985	2.8L (S) 173" MFI	28020
1985	2.8L (W) 173" 2bbl Celebrity Cavalier	28020
1984-83	2.8L (Z) 173" 2bbl H/O	28146
1984-83	2.8L (I) 173" 2bbl	28146
1982	2.8L (X) 173" 2bbl Citation Celebrity	28146
1982	2.8L (Z) 173" 2bbl	28146
1982	2.8L (X) 173" 2bbl Camaro	28003
1981-80	2.8L 173" 2bbl	28146
1996-94	3.1L (M,T) 189"	28020
1993	3.1L (D,T,W) 189" MFI	28020
1992-90	3.1L (T) 189" MFI	28020
1992-90	3.1L (D) 189" MFI Lumina APV	28146
1967-63	3.1L 194"	28128
1979-78	3.2L 196" 2bbl	28133
1979-78	3.3L 200" 2bbl	28146
1995-94	3.4L (X) 207"	28033
1995-93	3.4L (S) 207"	28146
1993	3.4L (X) 207" MFI 1st Design	28013
1993	3.4L (X) 207" MFI 2nd Design	28033
1992-91	3.4L (X) 207" MFI	28013
1992-91	3.4L (E) 207" Lumina APV	28020
1992-91	3.4L (X) 207"	28146
1996-92	3.8L (L) 231" MFI	28020
1986-80	3.8L (A) 231" 2bbl	28133
1984-83	3.8L (9) 229" 2bbl	28146
1982-80	3.8L (K) 229" 2bbl	28146
1981-80	3.8L (3) 231" 4bbl T/C	28134
1980	3.8L (K) 229" 2bbl Camaro	28135
1979	3.8L 231" 2bbl	28133
1978	3.8L 231" 2bbl Monza	28133
1978	3.8L 231" 2bbl exc Monza	28004
1967-63	3.8L 230"	28123
1979-74	4.1L 250" 1bbl	28134
1973	4.1L 250"	28133
1972-71	4.1L 250"	28128
1967-66	4.1L 250"	28123
1993-89	4.3L (Z) 262" TBI	28146
1988	4.3L (Z) 262" EFI Monte Carlo	28135
1988	4.3L (Z) 262" EFI Caprice	28146
1987-85	4.3L (Z) 262" EFI	28146
1976	4.3L 262" 2bbl	28135
1980	4.4L 267" 2bbl Camaro	28135
1980	4.4L 267" 2bbl exc Camaro	28150
1970	All Chevrolet Nova Camaro Chevelle	28128

YEAR	ENGINE\MODEL	PART#
1969-68	All All exc Corvair	28128
1965-63	All Corvair w/A/C	28128
<b>8 cyl</b>		
1996-94	4.3L (W) 265"	28033
1975	4.3L 262" 2bbl	28135
1982	4.4L (J) 267" 2bbl	28135
1981	4.4L (J) 267" 2bbl	28150
1979	4.4L 267" 2bbl	28135
1967-66	4.6L 283" exc CAL	28122
1965-63	4.6L 283"	28122
1993-91	5.0L (E) 305" TBI Caprice	28052
1992	5.0L (E) 305" TBI Camaro	28135
1992	5.0L (F) 305" MFI	28146
1991-89	5.0L (E) 305" TBI	28135
1991-89	5.0L (F) 305" MFI	28146
1990-86	5.0L (Y) 307" 4bbl	28128
1988	5.0L (E,F) 305" TPI	28135
1988	5.0L (G) 305" 4bbl H/O	28135
1988-82	5.0L (H) 305" 4bbl	28135
1987	5.0L (F) 305" TPI	28135
1987	5.0L (G) 305" 4bbl H/O	28135
1986	5.0L (F) 305" TPI	28135
1986	5.0L (G) 305" 4bbl	28135
1985	5.0L (F) 305" TPI	28135
1985	5.0L (G) 305" 4bbl	28135
1985	5.0L (8) 350" TBI	28135
1984	5.0L (G) 305" 4bbl	28135
1983	5.0L (S) 305" TBI	28135
1982	5.0L (7) 305" TBI	28150
1982-81	5.0L (H) 305" 4bbl Monte Carlo Malibu Camaro	28150
1980	5.0L 305" 4bbl Corvette	28135
1980	5.0L 305" 2bbl	28150
1980	5.0L 305" 4bbl exc Corvette	28150
1979	5.0L 305"	28135
1978-76	5.0L 305" 2bbl	28135
1973	5.0L 307"	28127
1972-70	5.0L 307"	28124
1967-66	5.3L 327" exc Corvette	28123
1967-66	5.3L 327" Corvette	28124
1965-63	5.3L 327"	28122
1996-95	5.7L (P) 350"	28033
1995-91	5.7L (J) 350" Corvette, ZR1 (incl. TPI)	28053
1994-92	5.7L (P) 350" Corvette MFI	28033
1993-91	5.7L (7) 350" Caprice DFI	28052
1992-90	5.7L (8) 350" Camaro, Corvette MFI	28146
1990	5.7L (7) 350" TBI	28135
1989	5.7L (6,7) 350" TBI	28135
1988	5.7L (8) 350" TPI Corvette	28146
1988-86	5.7L (8) 350" TPI Camaro	28135
1987	5.7L (6) 350" 4bbl	28135
1986-83	5.7L (6) 350" 4bbl	28135
1984-82	5.7L (8) 350" TBI	28150
1982	5.7L (L) 350" 4bbl HP	28135
1981	5.7L 350" 4bbl	28150
1980-78	5.7L 350" 4bbl (exc. Corvette)	28135
1979	5.7L 350" 4bbl Corvette	28006
1978	5.7L 350" 4bbl Corvette	28006

YEAR	ENGINE \ MODEL	PART #
<b>CHEVROLET 8 cyl (Contd)</b>		
1977	5.7L 350" 4bbl exc Corvette w/400 Transmission	28135
1977	5.7L 350" 4bbl Corvette w/400 Transmission	28006
1976-74	5.7L 350"	28135
1975	5.7L 350" 4bbl Camaro	28127
1973	5.7L 350"	28127
1972	5.7L 350" Corvette w/Holley Carb	28127
1972	5.7L 350" Z28 w/A/T	28131
1972-70	5.7L 350" exc Z28 exc Corvette w/ Holley Carb	28124
1971	5.7L 350" Z28 Corvette w/Holley Carb	28127
1970	5.7L 350" Corvette w/Holley Carb	28127
1962-61	5.7L (5) 350" Corvette	28033
1970	6.4L 396" T/C Jet (402)	28124
1965-63	6.4L 396"	28124
1976-74	6.6L 400" 4bbl	28135
1973	6.6L 400"	28127
1972-70	6.6L 400"	28124
1972-70	6.6L 402" incl. 396 SS	28124
1970	6.6L 402" 396 SS	28127
1969	7.0L 427" Corvette 430 HP	28127
1968	7.0L 427" Corvette 430 HP	28124
1965-63	7.0L 409"	28122
1976-74	7.4L 454" 4bbl	28135
1973	7.4L 454" Corvette	28127
1972-70	7.4L 454" exc Corvette w/Holley Carb	28124
1971	7.4L 454" Corvette w/Holley Carb	28127
1970	7.4L 454" 3-2bbl	28127
1969	All All exc Corvette 430 HP	28124
1968	All All exc 427 HP	28127

## CHEVROLET TRUCK

(All Models including GEO)

**IMPORTANT: To ensure correct replacement check the fifth digit (1980-77) or eighth digit (1996-81) of the (VIN) Vehicle Identification Number located on the dash panel**

### 4 cyl

1996-94	1.6L (6) 98" Tracker (incl. CAL)	28063
1995-93	1.6L (U) 98" EFI Tracker exc CAL	28018
1992-90	1.6L (L) 98" TBI Tracker	28018
1989	2.0L 121" EFI Tracker	28018
1985-83	2.0L 121" incl. Automatic Transmission	28146
1996-94	2.2L (4) 133" MFI	28034
1977-76	2.3L 140" 2bbl	28146
1975-71	2.3L 140"	28132
1993-91	2.5L (A) 151" TBI	28033
1991-89	2.5L (E) 151" TBI	28033
1988-87	2.5L (E) 151" S-10, Blazer	28033

YEAR	ENGINE \ MODEL	PART #
1986-85	2.5L (E) 151" S-10, Blazer	28013
1975-73	All Luv	28136
<b>6 cyl</b>		
1993-91	2.8L (R) 173" EFI	28146
1990	2.8L (B,R) 173" EFI	28146
1989	2.8L (R) 173" EFI	28146
1988-82	2.8L 173"	28146
1995-90	3.1L (D) 191"	28146
1979	3.3L 200"	28146
1978	3.3L 200"	28149
1995-92	3.8L (L) 231"	28020
1984-80	3.8L 229"	28146
1984-78	3.8L 231"	28133
1986-74	4.1L 250"	28134
1973	4.1L 250"	28133
1972	4.1L 250" El Camino C/K Pickup	28124
1972-70	4.1L 250" Blazer Suburban Van	28128
1996	4.3L (W,X) 262"	28127
1995-94	4.3L (W) 262"	28135
1995-94	4.3L (Z) 262" EFI	28146
1993-92	4.3L (W) 262" EFI	28020
1993-91	4.3L (Z) 262" Syclone/Typhoon w/T/C	28070
1993-91	4.3L (Z) 262" EFI exc Syclone/Typhoon	28146
1991	4.3L (B) 262" EFI	28146
1990	4.3L (B,Z) 262" EFI	28146
1989	4.3L (Z) 262" EFI	28146
1988-84	4.3L 262"	28146
1989	4.8L (T) 292" 2bbl	28134
1988-80	4.8L 292"	28134
1979	4.8L 292" Blazer Suburban C/K Pickup	28134
1979	4.8L 292" Van	28135
1978-74	4.8L 292"	28134
1973	4.8L 292"	28133
1972	4.8L 292" C/K Pickup	28124
1972	4.8L 292" Blazer Suburban Van	28128
1971-70	4.8L 292"	28128

### 8 cyl

1982-79	4.4L 267"	28134 *3
1967-64	4.6L 283" exc CAL	28122
1996	5.0L (M) 305"	28127
1995-89	5.0L (H) 305" EFI	28135
1988	5.0L 305"	28135
1987-85	5.0L 305"	28135
1984-80	5.0L 305" Blazer Suburban El Camino C/K Pickup & Van	28134 *3
1983	5.0L 305" El Camino	28134
1982	5.0L 305"	28134 *3
1981-80	5.0L 305" El Camino	28135
1979	5.0L 305" Blazer Suburban	28134 *3
1979	5.0L 305" El Camino Van	28135
1979	5.0L 305" C/K Pickup	28135 *3
1978-76	5.0L 305"	28135
1972	5.0L 307"	28127
1972-70	5.0L 307"	28124
1996	5.7L (R) 350"	28127
1995-89	5.7L (K) 350" EFI	28135
1988-85	5.7L 350"	28135

# PCV VALVES

YEAR	ENGINE\MODEL	PART#
<b>CHEVROLET TRUCK 8 cyl (Contd)</b>		
1984-80	5.7L 350" Blazer Suburban C/K Pickup & Van	28135 *3
1983	5.7L 350" C/K Pickup	28135
1982	5.7L 350" El Camino	28135
1981	5.7L 350" El Camino	28135
1979	5.7L 350" El Camino	28135
1979	5.7L 350" El Camino C/K Pickup & Van	28135
1979	5.7L 350" Blazer Suburban	28135 *3
1978-74	5.7L 350"	28135
1975	5.7L 350" Van	28134
1972	5.7L 350"	28127
1972-70	5.7L 350"	28124
1970	6.4L 396"	28124
1979-74	6.6L 400"	28135
1972	6.6L 400"	28127
1972-71	6.6L 402"	28124
1972-70	6.6L 400"	28124
1996	7.4L (J) 454"	28127
1995-89	7.4L (N) 454" EFI	28135
1989	7.4L (W) 454" 4bbl	28135
1988-85	7.4L 454"	28135
1984-82	7.4L 454"	28135 *3
1981	7.4L 454" C/K Pickup Van	28135
1981	7.4L 454" Blazer Suburban	28135 *3
1979-74	7.4L 454"	28135
1972	7.4L 454"	28124
1972	7.4L 454"	28127
1971	7.4L 454" Pickup	28124
1971	7.4L 454" El Camino	28127
1970	7.4L 454"	28124

## CHRYSLER

### 4 cyl

1984-80	1.4L 85"	28028
1995	1.5L 89" PFI	28017
1994-89	1.5L 89" PFI	28017
1985	1.5L 89"	28028
1990-89	1.6L 98" EFI T/C	28028
1986	1.6L 98" 2bbl	28001
1984	1.6L 98" A/T	28028
1984-83	1.6L 98" Omni Horizon	28001
1983-80	1.6L 98"	28028
1983-80	1.7L 104"	28001
1995-89	1.8L 110"	28028
1996-95	2.0L 122"	28001
1995-89	2.0L 122" PFI	28028
1988-80	2.0L 122"	28028
1994-91	2.2L 135" PFI exc. TC	28023
1993-91	2.2L 135" PFI T/C	28002
1990	2.2L 135" EFI w/Intercooler (exc 16 VLV)	28002
1990	2.2L 135" EFI w/o Intercooler	28023
1990	2.2L 135" EFI 16 VLV	28023
1989	2.2L 135" EFI exc T/C	28023

YEAR	ENGINE\MODEL	PART#
1989	2.2L 135" EFI T/C	28002
1988-87	2.2L 135" T/C	28002
1988-87	2.2L 135" FI	28023
1988-86	2.2L 135" 2bbl	28022
1986	2.2L 135" 2bbl H/O CAL	28022
1986	2.2L 135" FI	28023
1986	2.2L 135" 2bbl H/O exc CAL	28001
1986-85	2.2L 135" FI T/C	28002
1985	2.2L 135" CAL	28001
1985	2.2L 135" H/O exc CAL	28001
1985	2.2L 135" FI	28001
1985	2.2L 135" 2bbl exc CAL	28022
1985	2.2L 135" H/O CAL	28022
1984	2.2L 135" exc T/C	28001
1984	2.2L 135" T/C	28002
1983-81	2.2L 135"	28001
1996-95	2.4L 143"	28001
1992	2.4L 143" PFI	28028
1996-95	2.5L 153"	28058
1995-93	2.5L 153" exc Flex Fuel	28023
1995-93	2.5L 153" w/Flex Fuel	28002
1992-89	2.5L 153" PFI T/C	28002
1992-89	2.5L 153" TBI exc T/C	28023
1988-87	2.5L 153"	28023
1986	2.5L 153" FI	28023
1989	2.6L 156" EFI T/C	28028
1988-87	2.6L 156"	28028
1986-85	2.6L 156" 2bbl	28028
1985	2.6L 156" FI T/C	28028
1984-80	2.6L 156"	28028
1984	All 1600cc Champ Colt T/C	28017
1979-77	All Omni Horizon	28001

### 6 cyl

1996-91	3.0L 181" Stealth T/C	28042
1996-91	3.0L 181" Stealth DOHC	28046
1996-91	3.0L 181" Stealth SOHC	28050
1995	3.0L 181"	28047
1994-91	3.0L 181" PFI exc Stealth	28047
1990	3.0L 181" MFI	28047
1989-87	3.0L 181" MFI	28038
1996	3.3L 201" exc LH body	28002
1996-93	3.3L 201" PFI Concorde Intrepid NewYorker(LH) LHS	28056
1994-93	3.3L 201" PFI exc Concorde Intrepid NewYorker(LH) LHS	28002
1992-90	3.3L 201" PFI	28002
1996-93	3.5L 215" PFI Concorde Intrepid NewYorker(LH) LHS	28056
1996-91	3.8L 231" PFI	28002
1983-70	All All	28002
1969-63	All All	28134

### 8 cyl

1989-84	5.2L 318" 2 & 4 bbl	28002
1983-70	All All	28002
1969-63	All All	28134

### 10 cyl

1996-92	8.0L 488" Viper	28002
---------	-----------------	-------

YEAR	ENGINE\MODEL	PART#	YEAR	ENGINE\MODEL	PART#
<b>DODGE TRUCKS</b>			<b>6 cyl</b>		
(Includes Plymouth Trucks and Vans)			1996-93	3.3L 201" PFI	28056
			1996-93	3.5L 215" PFI	28056
<b>4 cyl</b>			<b>FORD</b>		
1989-80	2.0L 122" 2bbl	28028	(All Models)		
1988-87	2.2L 135"	28023	<b>4 cyl</b>		
1986	2.2L 135"	28022	1995-94	1.3L 80" Aspire	28044
1985-82	2.2L 135"	28001	1993-88	1.3L 80"	28032
1993-90	2.4L 143" PFI	28028	1989	1.6L 98"	28032
1995-94	2.5L 153" Dakota Exp	28061	1987	1.6L 98" 2bbl CAN	28032
1995-87	2.5L 153" Dakota, Caravan/Voyager	28023	1973-71	1.6L 98"	28131
1990	2.5L 153" EFI T/C	28002	1996-91	1.8L 110"	28024
1989	2.5L 153" EFI T/C	28002	1996-93	1.9L 116"	28060
1989-80	2.6L 156" 2bbl	28028	1992	1.9L 116" Before 4-5-92	28055
<b>6 cyl</b>			1992	1.9L 116" From 4-6-92	28060
1995-91	3.0L 181" PFI Caravan/Voyager	28047	1991	1.9L 116"	28051
1991	3.0L 181" PFI Ram 50	28042	1990-86	1.9L 116"	28029
1990	3.0L 181" EFI	28047	1985	1.9L 116"	28030
1989	3.0L 181" MPI exc Raider	28038	1996-95	2.0L 120" Contour	28065
1989	3.0L 181" MPI Raider	28042	1996-93	2.0L 120" Probe	28044
1988-87	3.0L 181"	28038	1974	2.0L 122"	28140
1995-90	3.3L 201"	28002			*2/28007
1986-85	3.7L 225" D,W	28002	1973	2.0L 122"	28124
1996-94	3.9L 239"	28061			*1/28007
1995-92	3.9L 239"	28002	1992-91	2.2L 134" including T/C	28016
1993-87	3.9L 239" EFI	28002	1990-89	2.2L 134"	28016
1969-63	4.2L 255"	28134	1994	2.3L 140" exc HSC	28064
1984-70	All All	28002	1994-93	2.3L 140" HSC Tempo	28037
<b>8 cyl</b>			1993-90	2.3L 140" OHC	28043
1996-94	5.2L 318"	28062	1992-88	2.3L 140" HSC exc H/O	28037
1993-88	5.2L 318" EFI	28002	1991-86	2.3L 140" HSC H/O	28035
1987-85	5.2L 318"	28002	1989	2.3L 140" OHC w/T/C	28015
1996-94	5.9L 360"	28062	1988-87	2.3L 140" OHC w/T/C	28015
1993-90	5.9L 360" EFI exc Duel Exhaust	28002	1987	2.3L 140" CFI HSC CAN	28027
1992-90	5.9L 360" EFI w/Duel Exhaust	28022	1986	2.3L 140" CFI HSC CAN	28027
1989-85	5.9L 360" exc Diesel	28002	1986-85	2.3L 140" OHC w/T/C	28015
1984-70	All All	28002	1986-82	2.3L 140" OHC exc T/C	28154
1969-63	All All	28134			*1/28007
<b>EAGLE</b>			1985-84	2.3L 140" HSC	28015
<b>4 cyl</b>			1984-83	2.3L 140" OHC w/T/C	28138
1995-89	1.5L 89" EFI	28017	1981	2.3L 140" OHC	28154
1988	1.5L 89" 2bbl	28009			*1/28007
1990-89	1.6L 98" EFI	28028	1980	2.3L 140" A/T exc CAL & T/C	28140
1988	1.6L 98" 2bbl	28009	1980	2.3L 140" M/T CAL exc T/C	28141
1995-92	1.8L 110" EFI	28028	1980	2.3L 140" M/T exc CAL & T/C	28154
1995	2.0L 122" EFI	28001			*1/28007
1995-90	2.0L 122" EFI	28028	1980	2.3L 140" A/T CAL exc T/C	28154
1990	2.2L 135" EFI T/C	28002			*1/28007
1995-94	2.4L 143" EFI	28058	1980-79	2.3L 140" T/C	28138
1993-92	2.4L 143" EFI	28028	1979	2.3L 140" A/T & M/T CAL	28140
			1979	2.3L 140" M/T exc CAL	28140
					*2/28007
			1978	2.3L 140" A/T	28140
			1978	2.3L 140" M/T CAL Pinto w/H/ALT	28140

# PCV VALVES

YEAR	ENGINE\MODEL	PART #
<b>FORD 4 cyl (Contd)</b>		
1978	2.3L 140" M/T exc CAL	28140 *2/28007
1978	2.3L 140" M/T CAL Pinto w/TWC	28140 *2/28007
1977	2.3L 140" M/T exc CAL	28140
1977	2.3L 140" M/T CAL	28140 *2/28007
1976	2.3L 140" Mustang M/T exc CAL Pinto	28140
1976	2.3L 140" Mustang M/T CAL	28140 *2/28007
1975-74	2.3L 140"	28140 *2/28007
1993	2.5L 153"	28054
1991	2.5L 153"	28048
1990-86	2.5L 153" (incl. CFI, HSC)	28027
<b>6 cyl</b>		
1996-94	2.5L 152" Probe	28054
1995	2.5L 152" Contour	28066
1979-77	2.8L 171"	28141
1976-75	2.8L 171"	28140 *2/28007
1973-71	2.8L 170"	28124 *1/28125
1970	2.8L 170"	28124 *1/28125
1996	3.0L 183" 12VLV SOHC	28119
1994-93	3.0L 183" Flex Fuel	28059
1994-90	3.0L 183" exc Flex Fuel & SHO	28027
1989	3.0L 183" exc SHO	28027
1988	3.0L 183" EFI	28027
1987-86	3.0L 183" EFI	28026
1983-82	3.3L 200"	28156
1981-80	3.3L 200" w/Pulse Air	28138
1981-80	3.3L 200" w/o Pulse Air	28156
1979	3.3L 200" A/T exc CAL	28138
1979	3.3L 200" M/T CAL	28138
1979	3.3L 200" A/T CAL	28156
1979	3.3L 200" M/T exc CAL	28156
1978	3.3L 200"	28138
1977	3.3L 200" Granada	28125
1977-75	3.3L 200" Maverick	28138
1976-75	3.3L 200" Granada	28124 *1/28125
1974	3.3L 200"	28138
1973-70	3.3L 200"	28124 *1/28125
1996-94	3.8L 232" Mustang	28155
1996-91	3.8L 232" Taurus Thunderbird exc S/C	28049
1994-89	3.8L 232" Thunderbird S/C	28041
1993	3.8L 232" Thunderbird exc S/C	28155
1992	3.8L 232" Thunderbird exc S/C	28155
1991-88	3.8L 232" exc S/C	28155
1987-82	3.8L 232" CFI	28156
1980-78	4.1L 250"	28138
1977	4.1L 250" Granada exc CAL	28125
1977-75	4.1L 250" Granada CAL Maverick	28138

YEAR	ENGINE\MODEL	PART #
1976-63	4.1L 250" Granada exc CAL	28124 *1/28125
1974	4.1L 250"	28138
<b>8 cyl</b>		
1996	4.6L 281" 16 VLV Mustang	28148
1982-80	4.2L 255"	28148
1996	4.6L 281" 32 VLV Mustang	28155
1996-92	4.6L 281"	28148
1970	4.7L 289"	28126
1994-85	5.0L 302" EFI incl. H/O	28148
1984	5.0L 302" LTD	28139
1984	5.0L 302" exc LTD	28148
1983-80	5.0L 302" w/AOT	28139
1983-80	5.0L 302" w/o AOT	28148
1980	5.0L 302" Granada exc CAL	28139
1980	5.0L 302" Granada w/CAL	28148
1979	5.0L 302"	28139
1978	5.0L 302" LTD Mustang A/T	28139
1978	5.0L 302" Mustang M/T	28148
1977	5.0L 302"	28139
1976-73	5.0L 302"	28127 *1/28139
1972-70	5.0L 302"	28126
1990-81	5.8L 351"	28148
1989	5.8L 351" incl. CAL	28139
1988	5.8L (W) 351"	28148
1987-85	5.8L 351"	28148
1984-79	5.8L (W) 351"	28148
1981-80	5.8L (M) 351" exc CAL	28139
1981-79	5.8L (M) 351" incl. CAL	28148
1980	5.8L (W) 351" exc CAL	28139
1978-77	5.8L (M) 351"	28139
1978-77	5.8L (W) 351"	28139
1976-75	5.8L 351"	28127 *1/28139
1976-74	5.8L (M) 351"	28127 *1/28139
1976-73	5.8L (C) 351"	28127 *1/28139
1976-73	5.8L (W) 351"	28127 *1/28139
1972-70	5.8L 351"	28126
1972-71	6.4L 390"	28126
1978-77	6.6L 400"	28139
1976-74	6.6L 400"	28127 *1/28139
1972-70	6.6L 400"	28126
1976-73	7.0L 429"	28127 *1/28139
1972-70	7.0L 429" incl. CJ Torino	28126
1971-70	7.0L 429"	28139
1970-69	7.0L 429"	28122
1967-66	7.0L 427"	28122
1978-77	7.5L 460"	28139
1976-73	7.5L 460"	28127 *1/28139
1970	7.5L 460"	28126
1967-66	All All	28126



YEAR	ENGINE\MODEL	PART#	YEAR	ENGINE\MODEL	PART#
<b>FORD COURIER</b>			1996-85	4.9L 300" 4WD under 8500 GVW	28156
<b>4 cyl</b>			1996-82	4.9L 300" CAN	28125
1982-77	All Courier 2300	28140	1996-82	4.9L 300" over 8500 GVW	28138
1982-72	All Courier 1800, 2000	28000	1996-82	4.9L 300" 2WD under 8500 GVW	28155
<b>FORD TRUCKS</b>			1985	4.9L 300" CAN	28139
<b>(Includes Vans)</b>			1981	4.9L 300" exc Bronco	28139
<b>4 cyl</b>			1981	4.9L 300" Bronco	28148
1976-73	1.8L 110"	28000	1981	4.9L 300"	28156
1988	2.0L 122" 1bbl	28015	1980-79	4.9L 300"	28138
1987-86	2.0L 122" 2bbl	28015	1978	4.9L 300" Econoline over 6000 GVW	28125
1985	2.0L 122"	28015	1978	4.9L 300" Econoline under 6000 GVW	28138
1984-83	2.0L 122" exc H/Alt	28026	1978	4.9L 300" Econoline All Maintenance	28139
1984-83	2.0L 122" H/Alt	28155	1977	4.9L 300" Pickup	28125
1982-79	2.0L 121"	28000			*2/28138
1996-95	2.3L 140" Ranger	28069	1977	4.9L 300" Econoline	28138
1994-89	2.3L 140" Ranger	28043	1976-65	4.9L 300"	28124
1988	2.3L 140" Ranger	28026			*1/28125
1988-85	2.3L 140" Aerostar, Ranger	28015	<b>8 cyl</b>		
1984-83	2.3L 140" exc H/Alt	28026	1984-83	4.2L 255"	28148
1984-83	2.3L 140" H/Alt	28155	1982-81	4.2L 255"	28156
1982-78	2.3L 140"	28140	1968	4.7L 289"	28126
<b>6 cyl</b>			1996-87	5.0L 302"	28031
1967-65	2.4L 144"	28124	1986-82	5.0L 302" All w/EFI	28139
		*1/28125	1986-79	5.0L 302" All exc EFI, CAN, Rancho	28148
1986	2.8L 171"	28036	1985	5.0L 302"	28138
1985-83	2.8L 171"	28156	1981-80	5.0L 302" CAN	28139
1973-70	2.8L 170"	28124	1977	5.0L 302" Bronco Pickup	28139
		*1/28125	1976-75	5.0L 302"	28127
1969-68	2.8L 170" Bronco	28126			*1/28139
1969-65	2.8L 170" exc Bronco	28124	1974	5.0L 302" exc Rancho	28127
		*1/28125			*1/28139
1993-86	2.9L 177" Ranger	28156	1973	5.0L 302" Econoline Pickup	28124
1990	2.9L 177"	28036			*1/28125
1996	3.0L 183"	28119	1973	5.0L 302" Bronco	28126
1995	3.0L 182" Aerostar	28027	1971	5.0L 302" Pickup	28124
1995	3.0L 182" Ranger, Windstar	28059			*1/28125
1994-86	3.0L 183"	28027	1971	5.0L 302" Bronco Econoline	28126
1975	3.3L 200"	28124	1970-69	5.0L 302" Bronco Econoline exc Rancho	28126
		*1/28125			28126
1973	3.3L 200"	28124	1968	5.0L 302" Bronco Econoline Rancho	28126
		*1/28125	1996-88	5.8L 351"	28139
1969-65	3.3L 200" incl. Econoline	28124	1987	5.8L 351" 4bbl	28139
		*1/28125	1986-84	5.8L 351"	28139
1996-95	3.8L 232" Windstar	28049	1983-82	5.8L 351" exc Bronco	28139
1987	3.8L 232"	28027	1983-82	5.8L 351" Bronco	28148
1984-82	3.8L 232"	28156	1981-80	5.8L 351"	28139
1974-65	3.9L 240" incl. Econoline, Pickup	28124	1979	5.8L 351" Rancho	28139
		*1/28125	1978	5.8L 351"	28139
1996-95	4.0L 245" exc Aerostar	28068	1977	5.8L 351" Pickup	28139
1996-90	4.0L 254" Aerostar	28156	1976	5.8L 351"	28127
1994-90	4.0L 244"	28156			*1/28139
			1975	5.8L 351" exc Rancho	28127
					*1/28139
			1969	5.8L 351"	28126
			1967	5.8L 352"	28126
			1965	5.8L 352"	28126
			1976-74	5.9L 360"	28127
					*1/28139
			1973	5.9L 360"	28126

# PCV VALVES

YEAR	ENGINE \ MODEL	PART #
<b>FORD TRUCK 8 cyl (Contd)</b>		
1971-69	5.9L 360"	28126
1976-75	6.4L 390"	28127
		*1/28139
1973	6.4L 390"	28126
1971-67	6.4L 390"	28126
1983-79	6.6L 400"	28139
1977	6.6L 400" Pickup	28139
1976	6.6L 400"	28127
		*1/28139
1996-92	7.5L 460"	28067
1991-90	7.5L 460"	28139
1989	7.5L 460" Econoline	28139
1988-84	7.5L 460"	28139
1983	7.5L 460" 4bbl	28139
1982-78	7.5L 460"	28139
1976	7.5L 460"	28127
		*1/28139
1975-74	7.5L 460" exc Ranchero	28127
		*1/28139

## GM TRUCKS

(Includes Vans)

**IMPORTANT: To ensure correct replacement check the fifth digit (1980-77) or eighth digit (1996-81) of the (VIN) Vehicle Identification Number located on the dash panel**

### 4 cyl

1984	2.0L 121" A/T	28146
1983	2.0L 121"	28146
1996-94	2.2L (4) 133"	28034
1993-92	2.5L (A) 151" TBI	28033
1991-89	2.5L (E) 151" TBI	28033
1988-87	2.5L 151"	28033
1986	2.5L 151"	28013
1985	2.5L 151" S-10 T-10 Pickup Jimmy	28013
1985	2.5L 151" Safari	28134
1975-73	All Luv	28136

### 6 cyl

1993-89	2.8L (R) 173" EFI	28146
1988-82	2.8L 173"	28146
1990	3.1L (D) 189" EFI Lumina APV	28146
1979	3.3L 200"	28146
1978	3.3L 200"	28149
1984-80	3.8L 229"	28146
1984-78	3.8L 231"	28133
1970	3.8L 230"	28128
1984-74	4.1L 250"	28134
1973	4.1L 250"	28133
1972-70	4.1L 250"	28128
1996	4.3L (W,X) 262"	28127
1995-94	4.3L (W) 262" EFI	28135

YEAR	ENGINE \ MODEL	PART #
1995-94	4.3L (Z) 262"	28146
1993	4.3L (W) 262" EFI	28020
1993-91	4.3L (Z) 262" Syclone/Typhoon w/T/C	28070
1993-91	4.3L (Z) 262" EFI exc Syclone/Typhoon	28146
1992	4.3L (W) 262" TBI	28020
1991-90	4.3L (B) 262" EFI	28146
1990-89	4.3L (Z) 262" EFI	28146
1988-84	4.3L 262"	28146
1989	4.8L (T) 292" 2bbl	28134
1988-80	4.8L 292"	28134
1979	4.8L 292" exc Van	28134
1979	4.8L 292" Van	28135
1978-74	4.8L 292"	28134
1973	4.8L 292"	28133
1972-70	4.8L 292"	28128

### 8 cyl

1982	4.4L 267"	28134 *3
1981-79	4.4L 267"	28134
1967-64	4.6L 283" exc CAL	28122
1996	5.0L (M) 305"	28127
1995-89	5.0L (H) 305" EFI	28135
1988	5.0L 305" 4WD Pickup	28135
1988	5.0L 305" Van	28135
1988	5.0L 305" 2WD Pickup	28146
1987-86	5.0L 305"	28135
1984-80	5.0L 305" Caballero Jimmy Suburban Pickup Van	28134 *3
1983	5.0L 305" Caballero	28134
1981-80	5.0L 305" Caballero	28135
1979	5.0L 305" Caballero	28134
1979	5.0L 305" Van	28135
1979	5.0L 305" Jimmy Suburban Pickup	28135 *3
1978-76	5.0L 305"	28135
1973	5.0L 307"	28127
1972-70	5.0L 307"	28124
1996	5.7L (R) 350"	28127
1995-89	5.7L (K) 350" EFI	28135
1988-85	5.7L 350"	28135
1984-79	5.7L 350" Jimmy Suburban Pickup Van	28135 *3
1983	5.7L 350" Van	28135
1982	5.7L 350" Jimmy Suburban	28134 *3
1981	5.7L 350" Pickup	28134 *3
1981-80	5.7L 350" Caballero	28135
1979	5.7L 350" Caballero Van	28135
1978-74	5.7L 350"	28135
1973	5.7L 350"	28127
1972-70	5.7L 350"	28124
1970	6.4L 396"	28124
1980-74	6.6L 400"	28135
1973	6.6L 400"	28127
1972-71	6.6L 400"	28124
1972-71	6.6L 402"	28124
1970	6.6L 400" exc Sprint	28124
1996	7.4L (J) 454"	28127
1995-89	7.4L (N) 454" EFI	28135
1989	7.4L (W) 454" 4bbl	28135
1988-82	7.4L 454"	28135
1981	7.4L 454" Jimmy Suburban CAL	28135

# PCV VALVES

YEAR	ENGINE \ MODEL	PART #
<b>GMC TRUCK 8 cyl (Contd)</b>		
1981	7.4L 454" Pickup Van	28135
1981	7.4L 454" Jimmy Suburban exc CAL	28135 *3
1980-74	7.4L 454"	28135
1973-72	7.4L 454"	28127
1971	7.4L 454" Pickup	28124
1971	7.4L 454" Sprint	28127
1970	7.4L 454"	28124

## HONDA

### 4 cyl

1995-94	1.5L 92"	Civic DX	28107
1995-94	1.5L 92"	Del Sol S SOHC	28107
1995-94	1.5L 92"	Civic CX VX	28109
1993-92	1.5L 92"	Civic DX	28087
1993-92	1.5L 92"	Civic CX VX	28101
1991-90	1.5L 92"	Civic DX LX Wagon 2WD	28083
1991-90	1.5L 92"	CRX (16 VLV)	28083
1991-90	1.5L 92"	CRX HF (8 VLV)	28087
1989	1.5L 92"	Civic	28083
1996	1.6L 97"	Civic 3dr 4dr	28087
1995-94	1.6L 97"	Del Sol DOHC (V-Tec)	28110
1995-94	1.6L 97"	Civic Si	28107
1995-94	1.6L 97"	Del Sol Si SOHC	28107
1993-92	1.6L 97"	Civic Si	28087
1991-90	1.6L 97"	Civic EX Si	28087
1991-90	1.6L 97"	Civic Wagon 4WD	28087
1991-90	1.6L 97"	CRX Si	28087
1989	1.6L 97"	CRX	28087
1996-95	2.2L 132"	Accord	28108
1996	All	Del Sol (exc V-Tec)	28087
1996	All	Prelude	28108
1996-95	All	Odyssey	28108
1996-94	All	Passport	28038
1995-88	All	Prelude	28039
1994	All	Accord	28108
1993	All	Del Sol S Si	28087
1993-90	All	Accord	28039
1989-87	All	Accord	28019
1988	All	Civic	28083
1987-84	All	Civic	28078
1987-84	All	Prelude	28078
1986-84	All	Accord	28078

### 6 cyl

1995-94	3.2L 195"	Passport	28114
1995		Accord	28108

## HYUNDAI

### 4 cyl

1995	1.5L 89"	Accent	28080
1995	1.5L 89"	Scoupe SOHC	28080
1995	1.5L 89"	Scoupe T/C	28085
1994	1.5L 89"	Excel	28080
1994	1.5L 89"	Scoupe	28085

YEAR	ENGINE \ MODEL	PART #	
1992	1.5L 89"	Excel Scoup	28080
1991	1.5L 89"	Scoupe	28080
1991-86	1.5L 89"	Excel	28080
1995-92	1.6L 98"	Elantra	28085
1995	1.8L 110"	Elantra	28085
1993	1.8L 110"	Elantra	28085
1995-92	2.0L 122"	Sonata	28085
1991-89	2.4L 143"	Sonata	28085

### 6 cyl

1995	3.0L 181"	Sonata	28042
1994	3.0L 181"	Sonata	28085
1992-89	3.0L 181"	Sonata	28042

## INFINITI

### 4 cyl

1996-93	2.0L 122"	G20	28104
1992-91	2.0L 122"	G20 Thru 3-91	28095
1992-91	2.0L 122"	G20 4-91 & Up	28104

### 6 cyl

1996	3.0L 181"	M30	28074
1996-95	3.0L 181"	I30	28118
1996-94	3.0L 181"	J30	28088
1993	3.0L 181"	M30	28088
1992-90	3.0L 181"	M30	28074

### 8 cyl

1996-90	4.5L 273"	Q45	28096
---------	-----------	-----	-------

## ISUZU

### 4 cyl

1990-87	1.5L 90"	I-Mark T/C	28016
1988-86	1.5L 90"	I-Mark exc T/C	28082
1993-91	1.6L 97"	Stylus	28039
1991	1.6L 97"	Impulse	28117
1991	1.6L 97"	Stylus DOHC	28117
1990	1.6L 97"	Impulse exc T/C	28028
1990	1.6L 97"	Impulse T/C	28097
1990	1.6L 97"	Impulse DOHC	28117
1990	1.6L 97"	I-Mark	28117
1993-92	1.8L 113"	Stylus	28117
1988	2.0L 121"	Impulse T/C	28028
1987	2.0L 121"	Impulse exc T/C 6/87 & Later	28028
1987	2.0L 121"	Impulse T/C	28097
1986	2.0L 121"	Impulse	28097
1996	2.2L 133"	Hombre	28034
1991	2.3L 137"	Pickup	28038
1991-90	2.3L 137"	Amigo	28038
1990	2.3L 137"	Pup	28038
1988	2.3L 137"	Impulse exc T/C	28028
1988-87	2.3L 137"	Pup	28028
1987-86	2.3L 137"	Trooper II	28028
1994-91	2.6L 156"	Pickup	28038

# PCV VALVES

YEAR	ENGINE\MODEL	PART#
<b>ISUZU 4 cyl (Contd)</b>		
1994-91	2.6L 156" Rodeo	28038
1994-90	2.6L 156" Amigo	28038
1991	2.6L 156" Trooper	28038
1990	2.6L 156" Trooper II	28028
1990	2.6L 156" Trooper II	28038
1990	2.6L 156" Pup	28038
1988	2.6L 156" Trooper II	28028
1988	2.6L 156" Pup	28038
1990	All Pup	28028
1986	All Pup	28028

## 6 cyl

1991	2.8L 173" Trooper	28146
1990	2.8L 173" Trooper II	28028
1994-91	3.1L 189" Pickup	28146
1993-91	3.1L 189" Rodeo	28146
1995-94	3.2L 195" Rodeo	28114
1995-93	3.2L 195" Trooper	28114

# JEEP

(1987-65 see AMC)

## 4 cyl

1993-91	2.5L (P) 150"	28149
1990-88	2.5L 151" FI	28149

## 6 cyl

1990-88	4.2L 258"	28009
---------	-----------	-------

## 8 cyl

1996-94	5.2L (Y) 318"	28062
1993	5.2L (Y) 318"	28002
1991	5.9L (7) 360"	28130
1990	All All	28130
1989	All All	28130
1988	All All	28130

# LEXUS

## 4 cyl

1994-92	4.0L 244" SC400	28098
---------	-----------------	-------

## 6 cyl

1991-90	2.5L 152" ES250	28039
1996-94	3.0L 181" ES300	28111
1995-94	3.0L 181" SC300	28112
1994-92	3.0L 181" ES300, GS300, SC300	28100

## 8 cyl

1994-90	4.0L 244" LS400	28098
---------	-----------------	-------

YEAR	ENGINE\MODEL	PART#
------	--------------	-------

# LINCOLN

(All Models)

## 6 cyl

1995-92	3.8L 232"	28049
1990-88	3.8L 232"	28155
1982	3.8L 232"	28156

## 8 cyl

1996-93	4.6L 281" SOHC	28148
1996-93	4.6L 281" DOHC	28155
1992	4.6L 281"	28148
1992	5.0L 302" EFI	28148
1990-80	5.0L 302"	28148
1979	5.0L 302" CAL	28139
1979	5.0L 302" exc CAL	28148
1978-73	5.0L 302"	28139
1980	5.8L 351" exc CAL	28139
1980	5.8L 351" CAL	28148
1979-73	6.6L 400"	28139
1979-73	7.5L 460"	28139
1972-70	7.5L 460"	28126
1966-61	All All (before 11/1/66)	28122

# MAZDA

## 4 cyl

1982-75	1.3L 80" 808	28079
1995	1.5L 90" Protege	28044
1985	1.5L 90" GLC w/FWD	28016
1985-83	1.5L 90" GLC w/RWD	28079
1984-83	1.5L 90" GLC w/FWD	28016
1982-77	1.5L 90" GLC	28079
1994-92	1.6L 98" MX3	28044
1994-90	1.6L 98" 323	28044
1993	1.6L 98" Protege SOHC	28044
1993-90	1.6L 98" Miata	28024
1989-88	1.6L 98" 323 T/C	28016
1989-88	1.6L 98" exc 323 T/C	28032
1987-86	1.6L 98" 323	28032
1982-75	1.6L 98" 808	28000
1976-75	1.6L 98" B1600	28000
1995	1.8L 113" Protege	28024
1995-94	1.8L 113" Miata	28024
1994-91	1.8L 113" Protege DOHC	28024
1994-91	1.8L 113" Protege SOHC	28044
1982-77	1.8L 113" B1800	28000
1973	1.8L 113" 618	28000
1995-93	2.0L 122" 626	28044
1994-93	2.0L 122" MX6	28044
1987	2.0L 122" B2000 B2200	28016
1987-83	2.0L 122" 626	28016
1985	2.0L 122" B2000	28000
1984-83	2.0L 122" B2000 M/T	28000
1984-83	2.0L 122" B2000	28079

# PCV VALVES

YEAR	ENGINE \ MODEL	PART #	YEAR	ENGINE \ MODEL	PART #
<b>MAZDA 4 cyl (Contd)</b>			1971	2.0L 122"	Capri before 8/1/71 28131
1982-77	2.0L 122"	626 28079	1971	2.0L 122"	Capri from 8/1/71 28140
1982-77	2.0L 122"	B2000 28000			*2/28007
1993-91	2.2L 133"	B2200 28032	1994	2.3L 140"	exc HSC 28064
1992	2.2L 133"	MX-6 28016	1994-93	2.3L 140"	HSC 28037
1992-88	2.2L 133"	626 28016	1993	2.3L 140"	OHC 28043
1991	2.2L 133"	MX-6 28016	1992	2.3L 140"	HSC 28043
1990-86	2.2L 133"	B2000 B2200 28016	1992-88	2.3L 140"	HSC exc H/O 28037
1995	2.3L 140"	Millenia 28086	1991-88	2.3L 140"	HSC H/O 28035
1995-94	2.3L 140"	B2300 28027	1989-85	2.3L 140"	OHC w/T/C 28015
1994-89	2.6L 159"	MPV 28032	1987-86	2.3L 140"	HSC 28035
1993-89	2.6L 159"	B2600 28032	1986-81	2.3L 140"	OHC exc T/C 28154
1988-87	2.6L 159"	B2600 28028			*1/28007
1996-95	4.0L 244"	B4000 28068	1985-84	2.3L 140"	HSC 28015
1990	All	Protege (16 VLV) 28024	1984-83	2.3L 140"	OHC T/C 28138
1990	All	Protege (8 VLV) 28044	1980	2.3L 140"	A/T exc CAL & T/C 28140
1974	All	B1600 28079	1980	2.3L 140"	M/T CAL exc T/C 28141
1974	All	808 28079	1980	2.3L 140"	M/T exc CAL & T/C 28154
1973	All	B1600 28000			*1/28007
<b>6 cyl</b>			1980	2.3L 140"	A/T CAL exc T/C 28154
1994-92	1.8L 113"	MX3 28054			*1/28007
1995	2.5L 152"	Millenia 28054	1980-79	2.3L 140"	T/C 28138
1995-93	2.5L 153"	626 28054	1979-78	2.3L 140"	A/T & M/T CAL 28140
1994-93	2.5L 153"	MX6 28054	1979-78	2.3L 140"	M/T exc CAL 28140
1992	2.6L 159"	B2600 28032			*2/28007
1995-94	3.0L 181"	B3000 28027	1977	2.3L 140"	Bobcat exc M/T CAL 28140
1995-90	3.0L 181"	929, 929S (incl. 24VLV) 28086	1977	2.3L 140"	Bobcat M/T CAL 28140
1995-89	3.0L 181"	MPV 28090			*2/28007
1991-90	3.0L 181"	929 (18 VLV) 28090	1977-76	2.3L 140"	Capri 28140
1989	3.0L 181"	929 28090	1976	2.3L 140"	Bobcat 28140
1988	3.0L 181"	929 28016	1975	2.3L 140"	28140
1995	4.0L 244"	Navajo 28068			*2/28007
1994	4.0L 244"	B4000 28156	1989	2.5L 153"	28027
1994-91	4.0L 244"	Navajo 28156	1988	2.5L 153"	HSC 28027
<b>MERCURY</b>			<b>6 cyl</b>		
<b>(Includes MERKUR)</b>			1995	2.5L 152"	Mystique 28066
<b>4 cyl</b>			1979-78	2.8L 171"	28141
1994-93	1.6L 98"	28016	1977	2.8L 171"	Bobcat 28141
1992-91	1.6L 98"	Capri 28016	1977-75	2.8L 171"	Capri 28140
1990-88	1.6L 98"	EFI 28032			*2/28007
1972	1.6L 98"	28131	1973-71	2.8L 170"	28124
1971	1.6L 98"	Capri from 12/1/70 28131			*1/28125
1971	1.6L 98"	Capri before 12/1/70 28140	1990-88	2.9L 177"	EFI 28036
		*2/28007	1996	3.0L 183"	12VLV SOHC 28119
1996-91	1.8L 110"	28024	1996-93	3.0L 183"	Villager 28074
1996-94	1.9L 116"	28060	1995-93	3.0L 183"	Flex Fuel 28059
1993	1.9L 116"	28060	1995-90	3.0L 183"	exc Flex Fuel & SHO 28027
1992	1.9L 116"	Before 4-5-92 28055	1989-88	3.0L 183"	EFI 28027
1992	1.9L 116"	From 4-6-92 28060	1987-86	3.0L 183"	EFI 28026
1991	1.9L 116"	Tracer 28051	1983-82	3.3L 200"	28156
1989-86	1.9L 116"	EFI 28029	1981-80	3.3L 200"	w/Pulse Air 28138
1996-95	2.0L 122"	Mystique 28065	1981-80	3.3L 200"	w/o Pulse Air 28156
1974-73	2.0L 122"	28140	1979	3.3L 200"	A/T exc CAL 28138
		*2/28007	1979	3.3L 200"	M/T CAL 28138
			1979	3.3L 200"	A/T CAL 28156
			1979	3.3L 200"	M/T exc CAL 28156
			1978	3.3L 200"	28138
			1977	3.3L 200"	Monarch 28125
			1977-75	3.3L 200"	Comet 28138

# PCV VALVES

YEAR	ENGINE\MODEL	PART#
<b>MERCURY 6 cyl (Contd)</b>		
1976-75	3.3L 200" Monarch	28124 *1/28125
1974	3.3L 200"	28138
1973-71	3.3L 200"	28124 *1/28125
1996-95	3.8L 232" w/o S/C	28049
1995	3.8L 232" Sable	28049
1995-94	3.8L 232" w/S/C	28041
1994	3.8L 232" Cougar Sable	28049
1993-90	3.8L 232" Cougar w/o S/C	28155
1992	3.8L 232" w/S/C	28041
1992-90	3.8L 232" Sable	28049
1991-89	3.8L 232" Cougar S/C	28041
1989	3.8L 232" exc Cougar S/C	28155
1988	3.8L 232"	28155
1987-82	3.8L 232" incl. CFI	28156
1980-78	4.1L 250"	28138
1977	4.1L 250" Monarch exc CAL	28125
1977-75	4.1L 250" Comet Monarch CAL	28138
1976	4.1L 250" Monarch exc CAL	28124 *1/28125
1975	4.1L 250" Comet Monarch exc CAL	28124 *1/28125
1974	4.1L 250" Comet exc CAL	28124 *1/28125
1974	4.1L 250" CAL Comet	28138
1973-71	4.1L 250"	28124 *1/28125
1970-65	All All	28124 *1/28125
<b>8 cyl</b>		
1982-80	4.2L 255"	28148
1996-92	4.6L 281"	28148
1992-82	5.0L 302"	28148
1981-80	5.0L 302" w/AOT	28139
1981-80	5.0L 302" w/o AOT	28148
1980	5.0L 302" Cougar Monarch exc CAL	28139
1980	5.0L 302" Cougar Monarch w/CAL	28148
1979	5.0L 302" exc M/T Capri	28139
1979	5.0L 302" M/T Capri	28148
1978-77	5.0L 302"	28139
1976-73	5.0L 302"	28127 *1/28139
1971	5.0L 302"	28126
1991-81	5.8L (W) 351"	28148
1980	5.8L 351" CAL	28148
1980-79	5.8L 351" exc CAL	28139
1979	5.8L 351" CAL Cougar exc CAL	28148
1978	5.8L 351" Cougar High Flow	28139
1978	5.8L 351"	28148
1977	5.8L 351"	28139
1976-73	5.8L (C) 351"	28127 *1/28139
1976-73	5.8L (M) 351"	28127 *1/28139
1976-73	5.8L (W) 351"	28127 *1/28139

YEAR	ENGINE\MODEL	PART#
1971	5.8L 351"	28126
1978	6.6L 400" Cougar High Flow	28139
1978-77	6.6L 400"	28139
1976-73	6.6L 400"	28127 *1/28139
1971	6.6L 400"	28126
1971	6.6L 400"	28126
1971	7.0L 429"	28126
1971	7.0L 429"	28126
1970-69	7.0L 429"	28122
1967-66	7.0L 427"	28122
1976-73	7.5L 460"	28127 *1/28139
1970-65	All All exc 427	28126

## MITSUBISHI

### 4 cyl

1995	1.5L 89"	28017
1994-87	1.5L 89" Mirage	28017
1992	1.5L 89" Precis	28080
1991-86	1.5L 89" Precis	28017
1986	1.5L 89" Mirage	28028
1992-87	1.6L 97" Mirage	28028
1986	1.6L 97" Mirage	28017
1995	1.8L 110"	28028
1995	1.8L 110" Expo	28028
1994-93	1.8L 110" Mirage	28028
1994-92	1.8L 110" Expo LRV	28028
1994-90	1.8L 110" Eclipse (exc T/C)	28028
1988	1.8L 110" Cordia Tredia T/C	28028
1987-84	1.8L 110" Cordia Tredia	28028
1995	2.0L 122" T/C	28028
1995	2.0L 122" DOHC	28001
1994-90	2.0L 122" Eclipse (exc T/C)	28028
1993	2.0L 122" Galant DOHC	28028
1993	2.0L 122" Galant SOHC	28058
1992-89	2.0L 122" Galant	28028
1989-83	2.0L 122" Pickup	28028
1988-84	2.0L 122" Cordia Tredia	28028
1995	2.4L 143"	28028
1995	2.4L 143" Mighty Max Pickup	28028
1995-93	2.4L 143" Expo	28058
1994	2.4L 143" Galant DOHC	28028
1994	2.4L 143" Expo LRV	28058
1994	2.4L 143" Galant SOHC	28058
1994-90	2.4L 143" Pickup	28028
1992	2.4L 143" Expo	28028
1989-87	2.4L 143" Van	28028
1988-87	2.4L 143" Wagon	28028
1987-84	2.4L 143" Galant	28028
1990-83	2.6L 159" Montero	28028
1989-87	2.6L 159" Starion T/C	28028
1989-87	2.6L 159" Pickup	28028
1986	2.6L 159" Montero	28017
1986	2.6L 159" Starion	28028
1985-83	2.6L 159" Pickup	28028
1983	All Cordia Tredia	28028

# PCV VALVES

YEAR	ENGINE\MODEL	PART#	YEAR	ENGINE\MODEL	PART#
<b>MITSUBISHI(Contd)</b>			1990	2.4L 146"	240SX 28025
<b>6 cyl</b>			1990	2.4L 146"	240SX 28025
1995	3.0L 181"	Mighty Max Pickup 28042	1990	2.4L 146"	Pickup 28136
1995	3.0L 181"	Montero 28058	1990-87	2.4L 146"	Van 28136
1995-92	3.0L 181"	Diamante DOHC 28042	1988-87	2.4L 146"	Pathfinder Pickup 28136
1995-92	3.0L 181"	3000GT DOHC 28042	1986-83	2.4L 146"	Pickup 28136
1995-92	3.0L 181"	Diamante SOHC 28050	1983	2.4L 146"	Maxima 28136
1995-91	3.0L 181"	3000GT T/C 28046	1982	2.4L 146"	Maxima 28025
1994-90	3.0L 180"	Pickup 28042	1981	2.4L 146"	Maxima 810 28136
1994-89	3.0L 181"	Montero 28042	1974-68	2.4L 146"	240Z 28136
1991	3.0L 181"	3000GT 28042	1980	All	Pickup 720 28136
1990-88	3.0L 181"	Galant Sigma 28042	1980-79	All	210 28136
1995-94	3.5L 213"	Montero 28058	1980-77	All	200SX 28136
<b>NISSAN/DATSUN</b>			1979-75	All	Pickup 620 28136
<b>4 cyl</b>			1978-76	All	F10 28136
1982	1.2L 73"	210 28025	1978-68	All	B210 28136
1981	1.2L 73"	210 28136	1974-68	All	Pickup 710 28136
1982-81	1.4L 85"	210 28025	1974-68	All	1200 28136
1983-82	1.5L 92"	Sentra 28136	<b>6 cyl</b>		
1982-81	1.5L 92"	210 28025	1983-82	2.8L 168"	280ZX 28025
1982-81	1.5L 92"	310 28025	1983-82	2.8L 168"	280ZX T/C 28025
1980-79	1.5L 92"	310 28136	1981	2.8L 168"	280ZX 28136
1996-91	1.6L 97"	Sentra 28094	1996-95	3.0L 181"	Maxima 28118
1993-91	1.6L 97"	NX1600 28094	1996-93	3.0L 181"	Quest 28074
1990	1.6L 97"	Pulsar NX 28136	1995-87	3.0L 181"	Pathfinder Pickup 28074
1990-83	1.6L 97"	Pulsar 28136	1994	3.0L 181"	Pickup 28074
1990-83	1.6L 97"	Sentra 28136	1994-92	3.0L 181"	Maxima SOHC 28074
1983	1.6L 97"	200SX 28136	1994-92	3.0L 181"	Maxima DOHC 28099
1990	1.8L 110"	Pulsar 28136	1993	3.0L 181"	Pickup 28074
1990	1.8L 110"	Pulsar NX 28136	1993-91	3.0L 181"	300ZX 28088
1988	1.8L 110"	Pulsar 28136	1992	3.0L 181"	Pickup 28074
1988-84	1.8L 110"	200SX 28136	1991	3.0L 181"	Pickup 28074
1996-95	2.0L 122"	200SX 28104	1991-84	3.0L 181"	Maxima 28074
1996-94	2.0L 122"	Sentra 28104	1990	3.0L 181"	Pickup 28074
1993-91	2.0L 122"	NX2000 28095	1990	3.0L 181"	Pickup 28074
1993-91	2.0L 122"	Sentra 28095	1990	3.0L 181"	300ZX T/C 28088
1990-83	2.0L 122"	Stanza 28136	1990-84	3.0L 181"	300ZX 28074
1988-84	2.0L 122"	200SX 28136	1990-84	3.0L 181"	300ZX T/C 28025
1984-83	2.0L 122"	Pickup 28136	1988-87	3.0L 181"	200SX 28074
1982	2.0L 122"	Pickup 28025	1986	3.0L 181"	Pickup 28074
1982	2.0L 122"	Stanza 28025	1980-79	All	280ZX 28136
1981	2.0L 122"	200SX 28136	1980-77	All	810 28136
1981-78	2.0L 122"	510 28136	1978-75	All	280Z 28136
1977-75	2.0L 122"	710 28136	1974-68	All	260Z 28136
1976-68	2.0L 122"	610 28136			
1983	2.2L 133"	200SX 28136			
1982	2.2L 133"	200SX 28025			
1982	2.2L 133"	Pickup 28025			
1981	2.2L 133"	Pickup 720 28136			
1996-93	2.4L 146"	Altima 28093			
1996-91	2.4L 146"	240ZX 28093			
1995-90	2.4L 146"	Pickup 28093			
1992-90	2.4L 146"	Stanza 28025			
1990	2.4L 146"	Axxess 28025			

# PCV VALVES

YEAR ENGINE \ MODEL PART #

## OLDSMOBILE

(All Models)

**IMPORTANT: To ensure correct replacement check the fifth digit (1980-77) or eighth digit (1996-81) of the (VIN) Vehicle Identification Number located on the dash panel**

### 4 cyl

1986-83	1.8L (O) 112"	TBI	28010
1982	1.8L (G) 112"	2bbl	28146
1988	2.0L (1) 121"	EFI	28034
1988-87	2.0L (K) 121"	EFI	28010
1987	2.0L (1) 121"	EFI H/O	28020
1986-85	2.0L (P) 121"	EFI TBI	28014
1984-83	2.0L (P) 121"	EFI	28146
1982	2.0L (B) 122"	2bbl	28146
1995-93	2.2L (4) 134"	MFI	28034
1977	2.3L 140"	2bbl	28145
1991	2.5L (R,U) 151"	TBI	28033
1990-88	2.5L (U) 151"	EFI	28033
1990-87	2.5L (R) 151"	EFI	28033
1987	2.5L (R,U) 151"	EFI	28033
1986-85	2.5L (R,U) 151"	EFI	28013
1984-82	2.5L (R) 151"	TBI	28004
1981-78	2.5L 151"	2bbl	28149

### 6 cyl

1989-86	2.8L (W) 173"	MFI	28020
1986	2.8L (X) 173"	2bbl	28146
1985	2.8L (W) 173"	MFI	28146
1984-83	2.8L (Z) 173"	2bbl H/O	28146
1984-82	2.8L (X) 173"	2bbl	28146
1982	2.8L (Z) 173"	exc Omega	28003
1981-80	2.8L 173"	2bbl	28146
1988-86	3.0L (L) 184"	MFI	28134
1985	3.0L (L,3) 184"	MFI	28012
1985-84	3.0L (E) 184"	2bbl	28012
1983-82	3.0L (E) 184"	2bbl	28134
1996-95	3.1L (M) 189"		28020
1995	3.1L (D) 189"		28146
1994	3.1L (M) 189"	Achieva Ciera	28020
1994	3.1L (M) 189"	Cutlass	28033
1994-93	3.1L (D) 189"	Silhouette	28146
1993	3.1L (D,M,T) 189"	MFI	28020
1992	3.1L (T) 189"	MFI exc Silhouette	28020
1992-91	3.1L (D) 189"	TBI Silhouette	28146
1991-90	3.1L (T) 189"	MFI	28020
1990	3.1L (D) 189"	EFI Silhouette	28146
1989	3.1L (T) 189"	EFI	28020
1993-90	3.3L (N) 204"	MFI	28040
1989	3.3L (N) 204"	SFI	28040
1996	3.4L (E) 207"	Silhouette	28020
1996	3.4L (X) 207"		28146
1995-94	3.4L (X) 207"		28033

YEAR ENGINE \ MODEL PART #

1993	3.4L (X) 207"	MFI 1st Design	28013
1993	3.4L (X) 207"	MFI 2nd Design	28033
1992-91	3.4L (X) 207"	MFI	28013
1996	3.8L (K,1) 231"		28020
1996-95	3.8L (L,1) 231"		28020
1994	3.8L (1) 231"		28020
1993	3.8L (L,1) 231"	MFI	28020
1992	3.8L (L) 231"	MFI	28020
1991	3.8L (L) 231"	MFI Regency 98 Toronado	28020
1991	3.8L (C) 231"	MFI Delta 88	28040
1990-89	3.8L (C) 231"	EFI	28040
1988	3.8L (C) 231"	SFI	28040
1988-87	3.8L (3) 231"	SFI	28134
1987-80	3.8L (A) 231"	2bbl	28133
1986	3.8L (B,3) 231"	SFI	28134
1985-84	3.8L (3) 231"	MFI	28134
1981	3.8L (3) 231"	4bbl T/C	28134
1979	3.8L 231"	2bbl exc Starfire	28133
1979	3.8L 231"	2bbl Starfire	28135
1978	3.8L 231"	2bbl	28004
1977-76	3.8L 231"	2bbl	28133
1975	3.8L 231"	2bbl	28123
1984-81	4.1L (4) 252"	4bbl	28133
1976-73	4.1L 250"	1bbl	28134
1972	4.1L 250"		28128
1972	4.1L 250"		28133
1970	4.1L 250"		28128
1994	4.3L (W,Z) 262"		28146
1993	4.3L (Z) 262"	TBI	28146
1993	4.3L (W) 262"	CPI	28020
1992-91	4.3L (Z) 262"	EFI Bravada	28146
1981	4.3L (F) 260"	2bbl	28004
1969-68	All	All	28128
1967-66	All	All	28123
1965-64	All	All	28123

### 8 cyl

1996-95	4.0L (C) 244"	EFI	28127
1982	4.3L (8) 260"	2bbl	28004
1980	4.3L 265"	2bbl	28152
1980	4.3L 260"	2bbl	28004
1979-76	4.3L 260"	2bbl	28137
1975	4.3L 260"	2bbl	28123
1982	4.4L (J) 267"	2bbl	28135
1979	4.9L 301"	2bbl	28144
1992-91	5.0L (E) 305"	EFI	28052
1989-86	5.0L (Y) 307"	4bbl	28128
1986	5.0L (H) 305"	4bbl	28135
1985	5.0L (Y,9) 307"	4bbl	28128
1984	5.0L (H) 305"	4bbl	28135
1984-81	5.0L (Y) 307"	4bbl	28128
1982	5.0L (H) 305"	4bbl	28128
1980-81	5.0L (H) 305"	4bbl	28150
1980	5.0L 307"	4bbl	28128
1979	5.0L 305"		28137
1978-77	5.0L 305"	2bbl	28135
1992	5.7L (7) 350"	TBI	28052
1984	5.7L (9) 307"	4bbl H/O	28128
1980	5.7L (R) 350"	4bbl	28128
1979-78	5.7L (R) 350"	4bbl	28123



YEAR	ENGINE \ MODEL	PART #
<b>OLDSMOBILE 8 cyl (Contd)</b>		
1979-77	5.7L (L) 350" 4bbl	28135
1977	5.7L (R) 350" 4bbl w/o 350 Transmission	28123
1977	5.7L (R) 350" 4bbl w/350 Transmission	28135
1976-70	5.7L 350"	28123
1979-77	6.6L 403"	28123
1975	6.6L 400"	28123
1970	6.6L 400"	28123
1975	7.4L 454"	28123
1976-70	7.5L 455"	28123
1969-64	All All	28123
1962-61	All All	28122

## PONTIAC

(All Models)

**IMPORTANT: To ensure correct replacement check the fifth digit (1980-77) or eighth digit (1996-81) of the (VIN) Vehicle Identification Number located on the dash panel**

### 3 cyl

1987-85	1.0L 61" 2bbl	28018
---------	---------------	-------

### 4 cyl

1987-82	1.6L (C) 98" 2bbl	28142
1986-84	1.8L (J) 112" MFI	28011
1986-83	1.8L (O) 112" EFI	28010
1982	1.8L (G) 112" 2bbl	28010
1994-92	2.0L (H) 121" TBI	28010
1991-87	2.0L (K) 121" EFI	28010
1991-87	2.0L (M) 121" MFI T/C	28011
1986-85	2.0L (P) 121" EFI	28014
1984-83	2.0L (P) 121" EFI	28146
1996-95	2.2L (4) 134"	28034
1977	2.3L 140"	28145
1976	2.3L 140"	28146
1975	2.3L 140"	28132
1991	2.5L (R) 151" TBI	28033
1991	2.5L (R) 151" EFI	28033
1991-89	2.5L (U) 151" EFI	28033
1988	2.5L (R,U) 151" EFI	28033
1987	2.5L (R,U) 151" EFI	28033
1986	2.5L (R,U,2) 151" EFI	28013
1985	2.5L (R,2) 151" TBI	28013
1985	2.5L (U) 151" EFI	28013
1984-82	2.5L (R,2) 151" TBI	28004
1981	2.5L 151" 2bbl	28004
1980-78	2.5L 151" 2bbl	28149
1979	2.5L 151" 2bbl exc CAL	28134
1977	2.5L 151"	28146

### 6 cyl

1989	2.8L (S) 173" MFI	28020
1989	2.8L (W) 173" MFI	28020

YEAR	ENGINE \ MODEL	PART #
1988-87	2.8L (9) 173" EFI	28020
1988-85	2.8L (S,W) 173" MFI	28020
1986-85	2.8L (X) 173" 2bbl	28146
1986-85	2.8L (9) 173" MFI	28146
1985	2.8L (W) 173" TBI	28146
1985	2.8L (S) 173" MFI	28020
1984-83	2.8L (L,Z) 173" 2bbl-H/O	28146
1984-83	2.8L (X,1) 173" 2bbl	28146
1982	2.8L (X) 173" 2bbl	28146
1982	2.8L (Z,1) 173" 2bbl	28003
1981-80	2.8L 173" 2bbl	28146
1987-86	3.0L (L) 184" MFI	28134
1985	3.0L (L) 184" MFI	28012
1996-95	3.1L (M) 189"	28020
1995-91	3.1L (D) 189" Trans Sport	28146
1994	3.1L (M,T) 189"	28020
1993	3.1L (T) 189" MFI	28020
1992	3.1L (T) 189" MFI exc Trans Sport	28020
1991	3.1L (T) 189" MFI 6000 Firebird Grand Prix Sunbird	28020
1991	3.1L (T) 189" MFI	28020
1991	3.1L (V) 189" MFI T/C	28020
1989	3.1L (V) 189" EFI T/C	28020
1989-88	3.1L (T) 189" EFI	28020
1993-92	3.3L (N) 204"	28040
1996	3.4L (E) 207" Trans Sport	28020
1996	3.4L (X) 207"	28146
1995	3.4L (X) 207"	28033
1995-93	3.4L (S) 207"	28146
1994	3.4L (X) 207"	28033
1993	3.4L (X) 207" MFI 1st Design	28013
1993	3.4L (X) 207" MFI 2nd Design	28033
1992-91	3.4L (X) 207" MFI	28013
1996	3.8L (K,1) 231"	28020
1996-95	3.8L (L,1) 231"	28020
1994	3.8L (1) 231"	28020
1993	3.8L (L,1) 231"	28020
1992	3.8L (L) 231" MFI	28020
1992	3.8L (1) 231" MFI S/C	28020
1991-88	3.8L (C) 231" MFI (incl. SFI)	28040
1989	3.8L (7) 231" DFI T/C	28021
1988-87	3.8L (3) 231" SFI	28134
1987-80	3.8L (A) 231" 2bbl	28133
1980	3.8L (K) 229" 2bbl	28146
1979	3.8L 231" 2bbl	28133
1978	3.8L 231"	28004
1977-76	3.8L 231"	28133
1982	4.1L (4) 252" 4bbl	28133
1976-74	4.1L 250"	28134
1973	4.1L 250"	28133
1972-71	4.1L 250"	28128
1970	4.1L 250" Firebird	28128
1987-85	4.3L (Z) 262" EFI	28146

### 8 cyl

1981	4.3L (S) 265" 2bbl	28151
1980	4.3L 265" 2bbl	28152
1976-75	4.3L 260"	28137
1981	4.9L (T) 301" 4bbl T/C	28144
1981	4.9L (W) 301" 4bbl	28151

# PCV VALVES

YEAR	ENGINE\MODEL	PART#
<b>PONTIAC 8 cyl (Contd)</b>		
1979-77	4.9L 301"	28144
1992-91	5.0L (E) 305" TBI	28135
1992-91	5.0L (F) 305" MFI H/O	28146
1991	5.0L (F) 305" MFI	28135
1991	5.0L (E) 305" TBI	28146
1989	5.0L (F) 305" MFI	28135
1989-88	5.0L (E) 305" TPI	28135
1989-86	5.0L (Y) 307" 4bbl	28128
1988-85	5.0L (F) 305" TPI	28135
1987	5.0L (H) 305" 4bbl Grand Prix	28150
1987-83	5.0L (H) 305" 4bbl	28135
1986	5.0L (G) 305" 4bbl	28135
1985	5.0L (G) 305" 4bbl exc Parisienne	28135
1984	5.0L (G) 305" 4bbl	28135
1983	5.0L (S) 305" TBI	28135
1982	5.0L (7) 305" TBI	28150
1982-81	5.0L (H) 305" 4bbl	28150
1981	5.0L (Y) 307" 2bbl	28128
1980	5.0L 305" 4bbl Firebird & Trans Am	28135
1980	5.0L 301" T/C	28144
1980	5.0L 305" 4bbl exc Firebird & Trans Am	28150
1979-77	5.0L 305"	28135
1973-71	5.0L 307"	28127
1996-95	5.7L (P) 350"	28146
1994-93	5.7L (P) 350"	28033
1992-91	5.7L (8) 350" MFI	28146
1989-87	5.7L (8) 350" TPI	28135
1980	5.7L (R) 350" 4bbl	28128
1980-79	5.7L (X) 350" 4bbl	28123
1979-77	5.7L (R) 350"	28123
1979-77	5.7L (L) 350"	28135
1978	5.7L (X) 350"	28127
1977	5.7L (P) 350"	28123
1976-70	5.7L 350"	28123
1979-70	6.6L 400"	28123
1976-70	7.5L 455"	28123
1969-63	All All	28123

## SATURN

### 4 cyl

1996-91	1.9L (9) 116" SOHC	28034
1996-91	1.9L (7) 116" DOHC	28034

## SUBARU

### 3 cyl

1995-88	1.2L 73" Justy	28084
1987-78	All All	28136

### 4 cyl

1995-91	1.8L 111" Loyale, Impreza, XT	28136
1995-91	2.2L 135" Legacy	28136
1990-88	All All exc Justy	28136

YEAR	ENGINE\MODEL	PART#
<b>6 cyl</b>		
1991	2.7L 164" XT	28136
1994-92	3.3L 201" SVX	28136

## SUZUKI

### 4 cyl

1996-95	1.3L 79" Swift	28063
1994-91	1.3L 79" Swift	28091
1994-87	1.3L 79" Samurai	28018
1990-89	1.3L 79" Sidekick	28018
1990-88	1.3L 79" Swift (16 VLV)	28091
1996	1.6L 97" X90 16 VLV	28063
1996-95	1.6L 97" Esteem 16 VLV	28063
1996-92	1.6L 97" Sidekick 16 VLV	28063
1995-92	1.6L 97" Sidekick 8 VLV	28018
1990-89	1.6L 97" Samurai, Sidekick	28018
1990-89	1.6L 97" Sidekick	28018

## TOYOTA

Due to numerous running changes Toyota has made it is advised to visually check the original valve for correct replacement

### 4 cyl

1969	1.1L 67" Corolla KC	28071
1979-70	1.2L 73" Corolla 3KC	28071
1982-81	1.3L 79" Starlet 4K-C	28071
1996-95	1.5L 89" Paseo 5E-FE w/CAL	28116
1996-95	1.5L 89" Tercel 5E-FE	28116
1995-94	1.5L 89" Paseo 5E-FE exc CAL	28039
1995-89	1.5L 89" Tercel 3E 3E-E 5E-FE	28039
1993	1.5L 89" Tercel 3E 3E-E	28039
1993-92	1.5L 89" Paseo 5E-FE	28039
1988-87	1.5L 89" Tercel 3-AC 2bbl	28019
1988-87	1.5L 89" Tercel 3E 1bbl	28039
1986-85	1.5L 89" Tercel 3A	28019
1984-83	1.5L 89" Tercel 3A	28024
1980	1.5L 89" Corolla 1AC 3TC	28076
1996-94	1.6L 97" Corolla 4A-FE	28057
1993-91	1.6L 97" Corolla 4A-FE	28019
1993-90	1.6L 97" Celica 4A-FE	28019
1990	1.6L 97" Corolla 4AF 4A-FE	28019
1989	1.6L 97" Corolla 4AF	28019
1988	1.6L 97" Corolla 4-AF 4A-LC	28019
1987	1.6L 97" Corolla 4A-C 4A-LC	28019
1986	1.6L 97" Corolla 4A-C	28019
1985	1.6L 97" Corolla Sedan Liftback 4ALC	28019
1985-83	1.6L 97" Corolla, Corolla Coupe GTS 4A-C	28024
1979-73	1.6L 97" Corolla 2TC	28076
1973	1.6L 97" Carina 2TC	28076
1972	1.6L 97" Carina 2TC	28072

# PCV VALVES

YEAR	ENGINE\MODEL	PART#	YEAR	ENGINE\MODEL	PART#	
<b>TOYOTA 4cyl (Contd)</b>			1980	All Corona 20R	28077	
1972-71	1.6L 97"	Corolla 2TC	28072	1976	All Corona 20R 8/76 & Later	28072
1996-94	1.8L 110"	Corolla 7A-FE	28057	<b>6 cyl</b>		
1995-94	1.8L 110"	Celica 7A-FE	28057	1972	2.3L 140" Corona MKII 2M	28072
1982-81	1.8L 110"	Corolla 3-TC	28076	1971-69	2.3L 140" Corona MKII 2M	28072
1974-73	1.8L 110"	Celica 18RC	28076	1971-69	2.3L 140" Crown 2M	28011
1974-73	1.8L 110"	Corona 18RC	28076	1991-88	2.5L 152" Camry 2VZ-FE	28039
1974-73	1.8L 110"	Pickup 18RC	28072	1990-88	2.5L 152" Camry 2VZ-FE	28039
1972	1.8L 110"	Celica 18-RC	28072	1979	2.6L 158" Cressida 4M	28077
1972	1.8L 110"	Corona 18RC	28072	1978	2.6L 158" Cressida 4M 3/78 & Later	28077
1972	1.8L 110"	Hi Lux 18-RC	28072	1978	2.6L 158" Cressida 4M thru 2/78	28072
1971	1.8L 110"	Corona MKII 2M 18RC	28072	1977	2.6L 158" Cressida 4M	28072
1971	1.9L 116"	Celica 8RC	28072	1976	2.6L 158" Cressida 4M	28072
1971-69	1.9L 116"	Corona 8RC	28072	1976-73	2.6L 158" Corona 4M	28072
1971-69	1.9L 116"	Hi Lux 8RC	28072	1972	2.6L 158" Crown 4M	28072
1971-69	1.9L 116"	Corona MKII 2M 8RC	28072	1996	2.7L 165" T-100 3RZ-FE	28113
1971-69	1.9L 116"	Corona 3RC	28011	1996-95	2.7L 165" Tacoma 2WD 4WD 3RZ-FE	28113
1986	2.0L 122"	Celica 3S-FE	28073	1995-94	2.7L 165" T-100 3RZ-FE	28113
1986-83	2.0L 122"	Camry 2S-ELC	28073	1996-95	3.0L 180" Tacoma 2WD 4WD 5VZ-FE	28099
1985-84	2.0L 122"	Van 3Y-EC	28024	1996-95	3.0L 180" Avalon 1MZ-FE	28111
1980	2.0L 122"	Celica 20R	28077	1996-94	3.0L 180" T-100 3V-ZE	28092
1980	2.0L 122"	Pickup 20R	28077	1996-94	3.0L 180" Camry 1MZ-FE	28111
1979-77	2.0L 122"	Celica 20R	28072	1996-92	3.0L 180" Supra 2JZG-ET T/C	28105
1979-77	2.0L 122"	Corona 20R	28072	1996-92	3.0L 180" Supra 2JZ-GE	28112
1979-77	2.0L 122"	Pickup 20R	28072	1996-89	3.0L 180" 4-Runner 3VZE	28092
1976	2.0L 122"	Celica 20R 8/76 & Later	28072	1996-88	3.0L 180" Pickup 3V-ZE	28092
1976	2.0L 122"	Pickup 20R 8/76 & Later	28072	1993-92	3.0L 180" Camry 3VZ-FE	28100
1976	2.0L 122"	Celica 20R thru 7/76	28011	1992-89	4.0L 244" Land Cruiser 3F-E	28077
1976	2.0L 122"	Pickup 20R thru 7/76	28011	1989	4.0L 244" Landcruiser 3F-E	28077
1975	2.0L 122"	Celica 20R	28011	1988	4.0L 244" Landcruiser 3F-E	28077
1975	2.0L 122"	Corona 20R	28011	1987-81	4.2L 256" Land Cruiser 2F	28081
1975	2.0L 122"	Pickup 20R	28011	1980-73	4.2L 256" Land Cruiser F 2F	28011
1996-92	2.2L 134"	Celica 5S-FE	28115	1996-95	4.5L 274" Landcruiser 1FZ-FE	28106
1990-88	2.2L 134"	Van 4Y-EC	28076	1994-93	4.5L 274" Land Cruiser 1FZ-FE	28077
1987-86	2.2L 134"	Van 4Y-EC	28024			
1996-88	2.4L 144"	4-Runner 22R-E	28077			
1995-94	2.4L 144"	Previa 2TZ-FE	28076			
1995-94	2.4L 144"	Pickup 22R-E exc T-100	28077			
1993-91	2.4L 144"	Previa 2TZ-FE	28024			
1993-88	2.4L 144"	Pickup 22R-E	28077			
1990-84	2.4L 144"	Pickup 22R 2bbl	28073			
1987	2.4L 144"	4-Runner 22R 2bbl	28073			
1987-86	2.4L 144"	Pickup 22R-TEC FI	28077			
1987-86	2.4L 144"	4-Runner 22R-TEC FI	28077			
1986	2.4L 144"	4-Runner 22R 2bbl	28073			
1985	2.4L 144"	Pickup 22R	28073			
1985	2.4L 144"	Celica 22R-EC	28075			
1985	2.4L 144"	Pickup 22R-TEC	28075			
1985	2.4L 144"	4-Runner 22R-TEC	28075			
1985-84	2.4L 144"	4-Runner 22R	28073			
1984	2.4L 144"	Celica 22R-EC	28075			
1984	2.4L 144"	Pickup 22R-EC FI	28075			
1983	2.4L 144"	Celica 22 2bbl	28073			
1983	2.4L 144"	Pickup 22R	28073			
1983	2.4L 144"	Celica 22R-EC FI	28075			
1982-81	2.4L 144"	Celica 22R	28077			
1982-81	2.4L 144"	Corona 22R	28077			
1982-81	2.4L 144"	Pickup 22R	28077			

\*1 Valve with no connector as OE manufactured.  
 \*2 Valve with "F" connector as OE manufactured by using elbow or "F" connector.  
 \*3 Some models may use part #28153

# PCV VALVES

## OEM INTERCHANGES

OEM #	PART #	OEM #	PART #	OEM #	PART #	OEM #	PART #
	<b>AC-DELCO</b>				<b>FORD</b>		
CV201C	28122	CV878C	28012	C1AZ-6A666A	28122	25043843	28020
CV202C	28122	CV881C	28013	C2AZ-6A666A	28122	25095452	28033
CV205C	28122	CV882C	28014	D0AZ-6A666A	28126	25097214	28034
CV210C	28122	CV892C	28020	D7AZ-6A666A	28139	25098542	28052
CV446C	28122	CV893C	28021	D8AZ-6A666A	28139	5646160	28122
CV451C	28122	CV895C	28033	D8TZ-6A666A	28139	5646181	28122
CV455C	28122	CV899C	28040	D8TZ-6A666B	28125	5649689	28122
CV457C	28122	CV900C	28034	D9BZ-6A666A	28156	6421239	28122
CV477C	28122	CV913C	28053	D9DZ-6A666A	28138	6421785	28122
CV580C	28122	CV914C	28052	D9FZ-6A666A	28140	6421934	28122
CV590C	28122			D9FZ-6A666B	28140	6487532	28127
CV604C	28122			D9OZ-6A666A	28139	6487779	28135
CV607C	28128			D9ZZ-6A666A	28148	8995284	28146
CV609C	28123	<b>ACURA</b>		E0TZ-6A666A	28155	8995910	28070
CV642C	28127	3160221	28122	E1DZ-6A666A	28156	94123309	28016
CV671C	28122	3165552	28122	E1ZZ-6A666A	28007	94310119	28117
CV676C	28124	3181893	28121	E5ZZ-6A666A	28015	94310949	28016
CV679C	28123	3182478	28121	E63Z-6A666B	28035	94324416	28016
CV693C	28122	3211538	28129	E6DZ-6A666A	28026	94343013	28039
CV719C	28123	3230351	28143	E6FZ-6A666A	28055	94419564	28082
CV722C	28128	3232845	28147	E73Z-6A666A	28027	94845871	28019
CV723C	28128	3234216	28130	E76Z-6A666A	28032	94853556	28057
CV725C	28124	3236680	28147	E77Z-6A666A	28031	96051849	28018
CV736C	28124	3241629	28008	E83Z-6A666B	28037	96055573	28045
CV746C	28127	8132309	28149	E92Z-6A666A	28016	96058079	28018
CV758C	28132	8933000887	28009	E9RY-6A666A	28036	96068664	28063
CV764C	28132	8933000888	28009	E9SZ-6A666A	28041		
CV767C	28128	8953000960	28146	FOCZ-6A666A	28024	<b>HONDA</b>	
CV768C	28123	J3240359	28120	FOZZ-6A666A	28043	17130-P72-003	28110
CV769C	28127			F1DZ-6A666A	28048	17130-PC6-003	28078
CV770C	28133			F1DZ-6A666B	28049	17130-PE0-003	28078
CV771C	28136	<b>AMC</b>		F1TZ-6A666A	28067	17130-PH1-003	28019
CV772C	28128	2808441	28134	F2CZ-6A666A	28055	17130-PH7-003	28089
CV774C	28135	2808622	28134	F32Z-6A666A	28044	17130-PK1-003	28039
CV775C	28006	3671076	28002	F32Z-6A666B	28054	17130-PM3-003	28083
CV781C	28134	4273145	28001	F33Z-6A666A	28064	17130-PM6-003	28087
CV785C	28123	4315405	28023	F3CZ-6A666A	28060	17130-PO6-A01	28107
CV787C	28137	4343581	28022	F3DZ-6A666AFFV	28059	17130-PO7-A01	28101
CV788C	28142	4343766	28023	F3TZ-6A666A	28067	17130-PO7-A02	28109
CV789C	28146	4573561	28056	F3XY-6A666A	28074	17130-POA-003	28108
CV792C	28144	5214088	28001	F4BZ-6A666A	28044	17130-PR4-Y01	28039
CV793C	28145	53030543	28061	F57Z-6A666A	28069	17130-PR7-A01	28103
CV795C	28149	53030564	28062	F5RZ-6A666A	28065	17130-PY3-003	28102
CV797C	28004	MD007189	28028	F5RZ-6A666B	28066	8-94386-755-0	28114
CV799C	28070	MD012947	28017	F5TZ-6A666A	28068		
CV851C	28128	MD024719	28028	F6DZ-6A666B2A	28119	<b>HYUNDAI</b>	
CV852C	28134	MD026613	28028	F6FZ-6A666A	28029	26740-21304	28080
CV853C	28150	MD041519	28028			26740-21310	28080
CV855C	28152	MD102195	28038	<b>GENERAL MOTORS</b>		26740-21314	28080
CV856C	28005	MD104723	28042	17113046	28020	26740-21330	28080
CV857C	28151	MD139971	28047	17113138	28020	26740-32804	28085
CV859C	28153	MD147679	28050	17113220	28020	26740-35004	28042
CV863C	28003	MD152772	28042	25042723	28127		
CV864C	28004	MD153242	28046	25043669	28013		
CV869C	28010	MD183547	28058	25043690	28014		
CV873C	28011						

## OEM INTERCHANGES (Contd)

OEM #	PART #	OEM #	PART #	OEM #	PART #	OEM #	PART #
<b>ISUZU</b>		EV146	28016	<b>NISSAN/DATSUN</b>		12204-35010	28077
1-894310-949-0	28016	EV147	28043	11810-12G00	28074	12204-35020	28075
1-894324-416-0	28016	EV147A	28043	11810-30P00	28088	12204-35030	28073
8-08995-284-0	28146	EV149	28067	11810-31U00	28118	12204-35040	28077
8-94111-642-0	28097	EV150	28024	11810-40P00	28088	12204-41010	28077
8-94152-859-0	28028	EV151	28051	11810-57Y00	28094	12204-45010	28077
8-94331-209-0	28038	EV152	28048	11810-60J00	28104	12204-46010	28100
8-94343-013-1	28039	EV152A	28066	11810-60U00	28096	12204-46020	28105
8-94386-755-0	28114	EV153	28049	11810-79E00	28095	12204-46030	28112
8-94419-564-0	28082	EV155	28059	11810-80W00	28136	12204-50010	28098
		EV157	28055	11810-86G00	28093	12204-50011	28098
		EV160	28060	11810-97E01	28099	12204-51011	28011
<b>JEEP/EAGLE</b>		EV217	28074	11810-A3500	28136	12204-51012	28011
33001239	28149	EV219	28044	11810-A3501	28136	12204-61010	28081
		EV220	28054	11810-AA000	28136	12204-62010	28100
		EV221	28067	11810-E3000	28136	12204-63010	28073
		EV222	28044	11810-E3001	28136	12204-65010	28092
<b>MAZDA</b>		EV223	28064	11810-F0500	28074	12204-66010	28106
0453-13-890	28079	EV224	28065	11810-F0502	28074	12204-71010	28024
AM16-13-890	28028	EV225	28068	11810-OB000	28074	12204-74020	28115
B541-13-890	28044	EV226	28069	11810-PO510	28025	12204-75010	28113
B601-13-890	28032	EV228	28119	11810-P7901	28025		
B603-13-890	28032	EV35	28124				
BP05-13-890	28024	EV43	28124	<b>SATURN</b>			
E301-13-890	28016	EV47	28124	25147308	28034		
E301-13-890A	28016	EV49	28124				
JE15-13-890	28090	EV49A	28125	<b>SUBARU</b>			
JE26-13-890	28086	EV49B	28125	11810-KA000	28084		
KL01-13-890	28054	EV50	28126	46025-AA00	28136		
O370-13-890	28000	EV58	28131				
ZZLO-13-890	28156	EV65	28000	<b>SUZUKI</b>			
ZZM1-13-890	28027	EV68A	28139	18118-23B00	28091		
		EV68B	28139	18118-58B00	28063		
		EV68C	28139	18118-80010	28018		
<b>MITSUBISHI</b>		EV76	28127				
26740-21320	28017	EV76A	28138	<b>TOYOTA</b>			
		EV76B	28138	12204-10020	28039		
		EV76C	28138	12204-10040	28116		
		EV77	28139	12204-11040	28039		
<b>MOTORCRAFT</b>		EV77A	28139	12204-12020	28076		
EV1	28122	EV77B	28139	12204-13050	28071		
EV108	28156	EV82	28140	12204-15022	28076		
EV111	28155	EV82A	28140	12204-15030	28019		
EV118	28156	EV82B	28140	12204-15050	28057		
EV127A	28015	EV82C	28140	12204-20010	28111		
EV13	28122	EV82D	28154	12204-24011	28071		
EV130	28027	EV83	28140	12204-28010	28076		
EV130A	28027	EV88A	28140	12204-31012	28072		
EV137	28029	EV88B	28140	12204-31020	28072		
EV138	28030	EV88C	28140	12204-34010	28072		
EV139	28035	EV93	28139				
EV140	28031	EV94A	28141				
EV141	28032	EV94C	28026				
EV142	28036	EV98B	28148				
EV142A	28036						
EV143	28037						
EV144	28037						
EV145	28041						

# PCV VALVES

## NUMERICAL LIST

PART #	APPLICATION & YEAR	FIG. #	PART #	APPLICATION & YEAR	FIG. #
28000	FORD COURIER 72-82, F TRK 76-76,79-82, MAZDA 73,75-85 .....	16	28038	CHRY, D TRK 87-89, HONDA 94-96, ISUZU 88, 90-94 .....	27
28001	CHRY 77-86,95-96, D TRK 82-85, EAGLE, MITSUBISHI 95 .....	17	28039	ACURA 92-94, CHEV 90-93, HONDA 88-95, ISUZU 91-93, LEXUS 90-91, TOYOTA 87-95 .....	24
28002	CHRY 70-96, D TRK 70-95, EAGLE 90, JEEP 93 .....	17	28040	BUICK, OLDS, PONT 88-93 .....	7
28003	BUICK, CHEV, OLDS, PONT 82 .....	14	28041	FORD 89-94, MERC 89-95 .....	8
28004	BUICK, CHEV 78,82-84, OLDS 78,80-84, PONT 78, 81-84 .....	1	28042	CHRY 91-96, D TRK 89,91, HYUNDAI 89-92,95, MITSUBISHI 88-95 .....	30
28005	CAD 80-84 .....	1	28043	FORD 90-93, F TRK 89-94, MERC 92-93 .....	4
28006	CHEV 77-79 .....	8	28044	FORD 94-96, MAZDA 90-95 .....	24
28007	FORD 73-86, MERC 71,73-86 .....	18	28045	CHEV 87-96 .....	33
28008	AMC 82 .....	14	28046	CHRY 91-96, MITSUBISHI 91-95 .....	30
28009	AMC 84-87, EAGLE 88, JEEP 88-90 .....	8	28047	CHRY, D TRK 90-95 .....	30
28010	BUICK 82-88, OLDS 83-88, PONT 82-94 .....	1	28048	FORD 91 .....	8
28011	BUICK 84-87, PONT 84-91, TOYOTA 69-71,73-80 .....	1	28049	FORD 91-96, F TRK 95-96, LINC 92-95, MERC 90-92,94-96 .....	8
28012	BUICK, PONT 85, OLDS 84-85 .....	7	28050	CHRY 91-96, MITSUBISHI 92-95 .....	36
28013	BUICK, C TRK, GMC TRK 85-86, CHEV 85-86,93, OLDS, PONT 85-86,91-93 .....	1	28051	FORD, MERC 91 .....	3
28014	BUICK, CAD, CHEV, OLDS, PONT 85-86 .....	8	28052	BUICK 90-93, CHEV 91-93, OLDS 91-92 .....	37
28015	FORD, MERC 84-89, F TRK 85-88 .....	4	28053	CHEV 91-95 .....	3
28016	CHEV 88-89, FORD 89-92, ISUZU 87-90, MAZDA 83-92, MERC 91-94 .....	19	28054	FORD 93-96, MAZDA 92-95 .....	24
28017	WHEN OUT USE 28080		28055	FORD, MERC 92 .....	8
28018	CHEV 85-93, C TRK 89-95, PONT 85-87, SUZUKI 87-95 .....	20	28056	CHRY, EAGLE 93-96 .....	40
28019	CHEV 86-87,89-92, HONDA 87-89, TOYOTA 85-93 .....	19	28057	CHEV, TOYOTA 94-96 .....	19
28020	BUICK 87-96, CAD 87-88, CHEV 85-96, C TRK 92-95, GMC TRK 92-93, OLDS 86-96, PONT 85-89,91-96 .....	3	28058	CHRY 95-96, EAGLE 94-95, MITSUBISHI 93-95 .....	24
28021	BUICK 86-87, PONT 89 .....	1	28059	FORD 93-94, F TRK 95, MERC 93-95 .....	8
28022	CHRY 85-88, D TRK 86,90-92 .....	17	28060	FORD, MERC 92-96 .....	3
28023	CHRY 86-95, D TRK 87-95 .....	17	28061	D TRK 94-96 .....	17
28024	FORD, MERC 91-96, MAZDA 90-95, TOYOTA 83-87,91-93 .....	19	28062	D TRK, JEEP 94-96 .....	17
28025	NISSAN/DATSUN 81-92 .....	11	28063	CHEV 95-96, C TRK 94-96, SUZUKI 92-96 .....	19
28026	FORD, MERC 86-87, F TRK 86-84,88 .....	4	28064	FORD, MERC 88-94 .....	8
28027	FORD 86-94, F TRK 86-95, MAZDA 94-95, MERC 88-95 .....	4	28065	FORD, MERC 95-96 .....	43
28028	CHRY 80-95, D TRK 80-93, EAGLE 89-95, ISUZU 86-88,90, MAZDA 87-88, MITSUBISHI 83-95 .....	23	28066	FORD, MERC 95 .....	3
28029	FORD 86-90, MERC 86-89 .....	8	28067	F TRK 92-96 .....	44
28030	FORD 85 .....	3	28068	F TRK, MAZDA 95-96 .....	3
28031	F TRK 87-96 .....	8	28069	F TRK 95-96 .....	8
28032	FORD 87-93, MAZDA 86-94, MERC 88-90 .....	24	28070	C TRK, GMC TRK 91-93 .....	8
28033	BUICK 87-96, CAD 94-96, CHEV 61-62,87-96, C TRK, GMC TRK 87-93, OLDS, PONT 87-95 .....	25	28071	TOYOTA 69-79,81-82 .....	9
28034	BUICK 87-89,93-96, CHEV 87-96, C TRK, GMC TRK 94-96, ISUZU 96, OLDS 88,93-95, PONT 95-96, SATURN 91-96 .....	3	28072	TOYOTA 69-79 .....	10
28035	FORD, MERC 86-91 .....	8	28073	TOYOTA 83-90 .....	19
28036	F TRK 86,90, MERC 88-90 .....	26	28074	INFINITI 90-92,96, MERC 93-96, NISSAN/ DATSUN 84-96 .....	11
28037	WHEN OUT USE 28064 .....		28075	TOYOTA 83-85 .....	7
			28076	TOYOTA 73-82,88-90,94-95 .....	21
			28077	TOYOTA 78-82,86-96 .....	21
			28078	ACURA 86-87, HONDA 84-87 .....	21
			28079	MAZDA 74-85 .....	22
			28080	CHRY 84,89-95, EAGLE 89-95, HYUNDAI 86-95, MITSUBISHI 92,86-95 .....	23
			28081	TOYOTA 81-87 .....	1
			28082	ISUZU 86-88 .....	21
			28083	HONDA 88-91 .....	28

## NUMERICAL LIST (Contd)

PART #	APPLICATION & YEAR	FIG. #	PART #	APPLICATION & YEAR	FIG. #
28084	SUBARU 88-95 .....	29	28128	BUICK 68-73,80-90, CAD 86-90, CHEV 63-72,	
28085	HYUNDAI 89-95 .....	23		86-90, C TRK, GMC TRK 70-72, OLDS 68-72,	
28086	MAZDA 90-95 .....	24		80-89, PONT 70-72,80-81,86-89 .....	1
28087	ACURA 88-91, HONDA 89-96 .....	24	28129	AMC 65-79 .....	5
28088	INFINITI 93-96, NISSAN/DATSUN 90-93 .....	11	28130	AMC 79-87, JEEP 88-91 .....	6
28089	ACURA 88-90 .....	31	28131	CHEV 72, FORD 71-73, MERC 71-72 .....	3
28090	MAZDA 89-95 .....	32	28132	CHEV, C TRK 71-75, PONT 75 .....	3
28091	SUZUKI 88-94 .....	34	28133	BUICK 76-87, CAD 80-82, CHEV 73-86, C TRK,	
28092	TOYOTA 88-96 .....	21		GMC TRK 73,78-84, OLDS 72,76-77,79-87, PONT	
28093	NISSAN/DATSUN 90-96 .....	35		73,76-77,79-87 .....	1
28094	NISSAN/DATSUN 91-96 .....	35	28134	BUICK 78-88, CHEV 78-81, C TRK, GMC TRK	
28095	INFINITI 91-92, NISSAN/DATSUN 91-93 .....	35		74-89, CHRY, D TRK 63-69, OLDS 73-76,88, PONT	
28096	INFINITI 90-96 .....	35		74-76,79,86-88 .....	7
28097	ISUZU 86-87,90 .....	23	28135	BUICK 77-79, CAD 85,90-95, CHEV 74-80,82-92,	
28098	LEXUS 90-94 .....	5		C TRK, GMC TRK 74-95, OLDS 77-79,82,84,86,	
28099	NISSAN/DATSUN 92-94, TOYOTA 95-96 .....	35		PONT 77-80,83-89,91-92 .....	8
28100	LEXUS 92-94, TOYOTA 92-93 .....	24	28136	C TRK, GMC TRK 73-75, NISSAN/DATSUN 68-90,	
28101	HONDA 92-93 .....	19		SUBARU 78-95 .....	11
28102	ACURA 91-96 .....	38	28137	BUICK, PONT 75-76, OLDS 76-79 .....	1
28103	ACURA 91-93 .....	39	28138	FORD, MERC 74-81,83-84, F TRK 77-80,82-96 .....	4
28104	INFINITI 91-96, NISSAN/DATSUN 94-96 .....	35	28139	FORD 70-71,73-84,89, F TRK 74-96, LINC 73-80,	
28105	TOYOTA 92-96 .....	21		MERC 73-81 .....	4
28106	TOYOTA 95-96 .....	41	28140	FORD 74-80, FORD COURIER 77-82, F TRK 78-82,	
28107	HONDA 94-95 .....	39		MERC 76-80 .....	4
28108	HONDA 94-96 .....	39	28141	FORD 77-80, MERC 77-80 .....	4
28109	HONDA 94-95 .....	19	28142	CHEV 76-87, PONT 82-87 .....	8
28110	ACURA 94-96, HONDA 94-95 .....	39	28143	AMC 77-79 .....	5
28111	LEXUS 94-96, TOYOTA 94-96 .....	39	28144	BUICK 78-80, OLDS 79, PONT 77-81 .....	12
28112	LEXUS 94-95, TOYOTA 92-96 .....	42	28145	CHEV, OLDS, PONT 77 .....	8
28113	TOYOTA 94-96 .....	21	28146	AMC 84-86, BUICK 80-86, CAD 82-86,89-93,	
28114	HONDA 94-95, ISUZU 96-95 .....	45		CHEV 76,78-95, C TRK 76-77,79-95, GMC TRK	
28115	TOYOTA 92-96 .....	46		79-95, ISUZU 91-94, OLDS 80-86,90-96, PONT	
28116	TOYOTA 95-96 .....	47		76-77,80-87,91-96 .....	8
28117	CHEV 91-93, ISUZU 90-93 .....	45	28147	AMC 78-80 .....	13
28118	INFINITI, NISSAN/DATSUN 95-96 .....	19	28148	FORD, MERC 78-96, F TRK 79-86, LINC 79-96 .....	4
28119	FORD, F TRK, MERC 96 .....	8	28149	AMC 80-87, BUICK 80-81, CHEV 79-81, C TRK,	
28120	AMC 81 .....	48		GMC TRK 78, JEEP 88-93, OLDS 78-81, PONT	
28121	AMC 67-70 .....	1		78-80 .....	7
28122	AMC, CAD, OLDS 61-62, CHEV 63-67, C TRK,		28150	BUICK 80, CHEV 80-84, OLDS 81-80, PONT 80-82, .....	14
	GMC TRK 64-67, FORD, MERC 66-67,69-70, LINC			87 .....	14
	61-66 .....	2	28151	BUICK 80-81, PONT 81 .....	12
28123	AMC 71-72, BUICK, CAD, PONT 63-80, CHEV		28152	BUICK, OLDS, PONT 80 .....	12
	63-67, OLDS 64-79 .....	1	28153	C TRK, GMC TRK 79-84 .....	15
28124	CHEV 63-72, C TRK, GMC TRK 70-72, FORD		28154	FORD, MERC 80-86 .....	15
	63-76, F TRK, MERC 65-76 .....	3	28155	FORD 88-96, F TRK 82-96, LINC 88-90,93-96,	
28125	FORD 63-77, MERC 65-77, F TRK 65-78,82-96 .....	4		MERC 88-93 .....	4
28126	FORD 66-67,70-72, F TRK 65,67-73, LINC 70-72,		28156	FORD 79-87, F TRK 81-96, LINC 82, MAZDA	
	MERC 65-71 .....	3		91-94, MERC 79-87 .....	4
28127	CAD 82-96, CHEV 68-73,75, C TRK 71-72,96,				
	GMC TRK 71-73,96, OLDS 95-96, PONT 71-73,78,				
	FORD, MERC 73-76, F TRK 74-76 .....	3			

# ***PCV VALVES***

---





# ***PCV VALVES***

---

