

GM INTEGRATED EGR FILTER



WHAT THEY DO

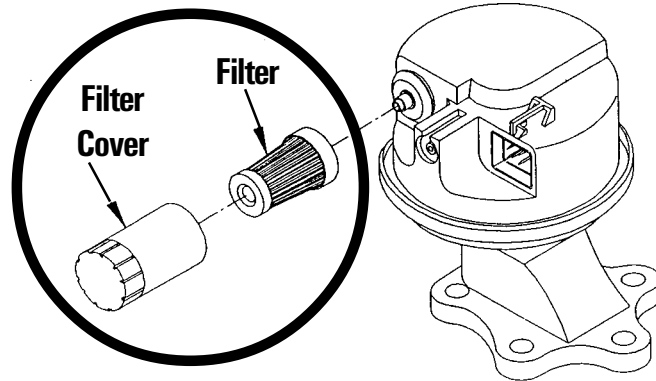
Provide filtered air to the regulator chamber on integrated EGR Valves.

FAILURE SYMPTOMS

Rough idle, surging, hesitation, stalling, and loss of power.

MAINTENANCE / SERVICE

Inspect every 30,000 miles or when EGR malfunctions occur.



YEAR	ENGINE	MODEL	EGR OE #	PART #
------	--------	-------	----------	--------

BUICK

6 cyl.

1989	2.8L (W) 173"	Century	17087106,17112039	10800
1989-1988	2.8L (W) 173"	Century, Regal (w/AT)	17087106,17112039	10800
1987	2.8L (W) 173"	Century, Skyhawk (w/AT)	17087106,17112039	10800
1990-1989	3.1L (T) 189"	Regal	17087106,17112039	10800

CADILLAC

6 cyl.

1988-1987	2.8L (W) 173"	Cimarron (w/AT)	17087106,17112039	10800
-----------	---------------	-----------------	-------------------	-------

CHEVROLET

6 cyl.

1989	2.8L (W) 173"	Celebrity	17087106,17112039	10800
1989-1987	2.8L (W) 173"	Baretta, Cavalier, Celebrity, Corsica (w/AT)	17087106,17112039	10800
1990	3.1L (T) 189"	Lumina	17087106,17112039	10800

A complete cross reference from O.E.M. part numbers to Tomco Inc. part numbers begin on page 153.

EGR FILTER

YEAR	ENGINE	MODEL	EGR OE #	PART #
OLDSMOBILE				
6 cyl.				
1989	2.8L (W) 173"	Ciera	17087106,17112039	10800
1989-1988	2.8L (W) 173"	Cutlass (w/AT)	17087106,17112039	10800
1987	2.8L (W) 173"	Ciera, Cutlass Cruiser Wagon, Firenza (w/AT)	17087106,17112039	10800
1991-1989	3.1L (T) 189"	Cutlass	17087106,17112039	10800

PONTIAC

6 cyl.				
1989	2.8L (W) 173"	6000	17087106,17112039	10800
1988	2.8L (W) 173"	Grand Prix (w/AT)	17087106,17112039	10800
1987	2.8L (W) 173"	Sunbird, STE, 6000 (w/AT)	17087106,17112039	10800
1990	3.1L (T) 189"	6000 (w/AWD)	17087106,17112039	10800
1990-1989	3.1L (V) 189"	Grand Prix	17087106,17112039	10800
1989	3.1L (T) 189"	Grand Prix, 6000	17087106,17112039	10800

OEM INTERCHANGES

OEM#	PART#
GENERAL MOTORS	
17087106	10800
17112039	10800

NUMERICAL LIST

PART#	APPLICATION & YEAR
10800	BUICK, CHEV, PONT 87-90, CAD 87-88, OLDS 87-91

