

EVAP CANISTER PURGE VALVES

WHAT THEY DO

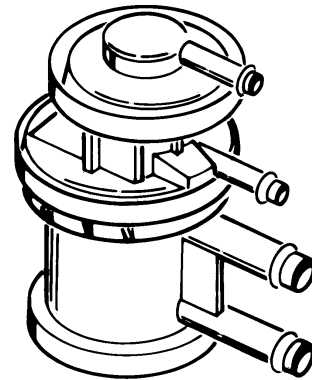
Vent fuel vapors from the carburetor bowl or fuel tank to the charcoal canister, and control the purging of these and other vapors from the fuel tank into the intake manifold when certain engine speed and temperature conditions are attained.

FAILURE SYMPTOMS

Above idle, the mixture becomes very rich. Stumble on acceleration, poor fuel mileage, flooded charcoal canister and catalytic converter overheat can occur.

MAINTENANCE/SERVICE

Inspect during tune-ups or at 25,000 to 30,000 miles. Check for ruptured diaphragms inside the valve and misrouted or damaged hoses.



YEAR	ENGINE	MODEL	TYPE	OE #	PART #
------	--------	-------	------	------	--------

BUICK

4 cyl.

1982	1.8L (G) 111"	Skyhawk	Valve	17070291	19014
1982	1.8L (G) 111"	Skyhawk	Valve	17091155	19015
1987	2.0L (K,1) 121"	Skyhawk	Valve	17087069	19012
1993	2.2L (4) 134"	Century	Valve	17087069	19012
1990	2.5L (R,U) 151"	Century	Valve	17087069	19012
1981	2.5L (5) 151"	Skylark	Valve	17074496	19014

6 cyl.

1986-1985	2.8L (X) 171"	Century	Valve	17073535,17085918,928,929	19001
1986-1981	2.8L (X,Z) 171"	Century, Skylark	Valve	17072400,17091155	19015
1985-1982	3.0L (E) 184"	Century	Valve	17073535,17085918,928,929	19001
1987-1981	3.8L (A,3) 231"	Electra, LeSabre, Riviera	Valve	17073535,17085918,928,929	19001
1984-1982	3.8L (A,3) 231"	Regal	Valve	17075074,17085891,892	19000
1984-1981	4.1L (4) 252"	Electra, LeSabre, Riviera	Valve	17073535,17085918,928,929	19001

8 cyl.

1981	4.4L (J) 267"	Regal	Valve	17075074, 17085891,892	19000
1991	5.0L (E) 305"	Roadmaster	Valve	17089068	19014
1990-1981	5.0L (Y) 307"	Cutlass Supreme, Electra, LeSabre	Valve	17073535,17085918,928,929	19001
1996-1995	5.7L (P) 350"	Roadmaster	Valve	17089068	19014
1994-1992	5.7L (7) 350"	Roadmaster	Valve	17089068	19014

EVAP CANISTER PURGE VALVES

YEAR	ENGINE	MODEL	TYPE	OE #	PART #
------	--------	-------	------	------	--------

CADILLAC

4 cyl.

1982	1.8L (G) 111"	Cimarron	Valve	17070291	19014
------	---------------	----------	-------	----------	-------

6 cyl.

1988-1987	2.8L (W) 171"	Cimarron	Valve	17087244,232	19014
1982-1981	4.1L (4) 252"	DeVille, Eldorado, Fleetwood, Seville	Valve	17073535,17085918,928,929	19001

8 cyl.

1990-1988	4.5L (3,5,8) 275"	Brougham, DeVille, Eldorado, Fleetwood, Seville	Valve	17088120,5005,17090144,1152	19015
1993	4.6L (Y,9) 281"	Allante, Eldorado, Seville	Valve	17090144,1152	19015
1993	4.9L (B) 300"	Commercial MFI 4WD, DeVille FWD	Valve	17088122	19014
1993-1991	4.9L (B) 300"	DeVille, Eldorado, Fleetwood, Seville,	Valve	17085005,17090144,1152	19015
1992-1991	5.0L (E) 305"	Brougham, Coachbuilder Wagon	Valve	17087240,9068	19014
1990-1986	5.0L (Y,9) 307"	Fleetwood	Valve	17073535,17085918,928,929	19001
1993-1992	5.7L (7) 350"	Fleetwood Brougham	Valve	17089068	19014
1993-1990	5.7L (7) 350"	Brougham	Valve	17087240,9068	19014

CHEVROLET

4 cyl.

1989-1985	1.5L (7,9) 92"	Spectrum	Valve	17074496	19014
1987-1982	1.6L (C,4) 98"	Chevette	Valve	17070147	19014
1980	1.6L (9,0) 98"	Chevette	Valve	17091155	19015
1982	1.8L (G) 112"	Cavalier	Valve	17070291	19014
1988-1987	2.0L (1) 121"	Beretta, Corsica	Valve	17087303,17090161	19014
1987	2.0L (1) 121"	Cavalier, Corsica	Valve	17087069	19012
1993-1992	2.2L (4) 135"	Beretta, Corsica	Valve	17087069	19012
1992-1990	2.5L (R) 151"	Celebrity, Lumina	Valve	17087069	19012
1981	2.5L (5) 151"	Citation	Valve	17074496	19014

6 cyl.

1988	2.8L (W) 171"	Beretta, Corsica	Valve	17090161	19014
1986-1985	2.8L (W) 171"	Celebrity	Valve	17073535,17085918,928,929	19001
1986-1981	2.8L (X) 171"	Celebrity, Citation	Valve	17072400,17091155	19015
1985	2.8L (S) 171"	Camaro	Valve	17085905	19014
1984-1982	2.8L (1) 171"	Camaro	Valve	17070894	19014
1984-1982	2.8L (Z) 171"	Celebrity, Citation	Valve	17072400,17091155	19015
1982	2.8L (X,Z) 171"	Beretta, Celebrity, Corsica	Valve	17071999,1708703	19014
1981	2.8L (X,Z) 171"	Citation	Valve	17070894	19014
1994-1993	3.1L (T) 189"	Cavalier (w/MT)	Valve	17090161	19014
1993-1992	3.1L (T) 189"	Cavalier	Valve	17087232,17090161	19014
1993	3.4L (S) 207"	Camaro	Valve	17091151	19014
1986-1981	3.8L (A,K,3) 231"	Camaro, Caprice, Impala, Malibu, Monte Carlo	Valve	17073535,17085918,928,929	19001
1984-1982	3.8L (A,9) 229"	Caprice, Malibu, Monte Carlo	Valve	17075074,17085891,892	19000
1990-1989	4.3L (Z) 262"	Caprice	Valve	17089068	19014
1990-1987	4.3L (Z) 262"	Caprice, Monte Carlo (Exc.Hi-Alt)	Valve	17087240	19014
1987	4.3L (Z) 262"	Caprice, Monte Carlo (Exc.Hi-Alt)	Valve	17087218	19013

8 cyl.

1996-1995	4.3L (W) 265"	Impala SS	Valve	17089068	19014
1996-1994	4.3L (W) 265"	Caprice	Valve	17089068	19014
1982-1981	4.4L (J) 267"	Camaro, Caprice, Impala, Monte Carlo	Valve	17075074,17085891,892	19000
1993	5.0L (E) 305"	Caprice	Valve	17091151	19014

EVAP CANISTER PURGE VALVES

YEAR	ENGINE	MODEL	TYPE	OE #	PART #
CHEVROLET 8 cyl (Contd)					
1993-1988	5.0L (E) 305"	Caprice	Valve	17089068	19014
1993-1986	5.0L (E,F,G,H) 305"	Camaro, Caprice, Monte Carlo	Valve	17087240,293,9068,17090161	19014
1990	5.0L (E,F) 305"	Camaro	Valve	17072400,17091155	19015
1990-1988	5.0L (Y) 307"	Caprice	Valve	17073535,17085918,928,929	19001
1988	5.0L (H) 305"	Camaro	Valve	17087069	19012
1988	5.0L (H) 305"	Caprice, Monte Carlo	Valve	17087218	19013
1988-1983	5.0L (H) 305"	Camaro, Monte Carlo	Valve	17085005,17087294	19015
1988-1981	5.0L (H) 305"	Caprice	Valve	17073535,17085918,928,929	19001
1986-1982	5.0L (H) 305"	Camaro, Caprice, Monte Carlo	Valve	17075074,17085891,892	19000
1980	5.0L (H) 305"	Corvette (Incl.Cal)	Valve	17060514	19015
1997-1993	5.7L (P) 350"	Camaro	Valve	17091151	19014
1996	5.7L (5) 350"	Camaro	Valve	17089068	19014
1996-1995	5.7L (P) 350"	Impala SS	Valve	17089068	19014
1996-1994	5.7L (P) 350"	Caprice	Valve	17089068	19014
1996-1992	5.7L (P) 350"	Corvette	Valve	17091151	19014
1995-1991	5.7L (7) 350"	Caprice	Valve	17089068	19014
1993-1987	5.7L (6,7) 350"	Caprice	Valve	17087240,9068	19014
1993-1985	5.7L (8) 350"	Camaro, Corvette	Valve	17087240,17091151	19014
1990	5.7L (8) 350"	Camaro	Valve	17072400,17091155	19015
1989-1988	5.7L (8) 350"	Camaro, Corvette	Valve	17087069	19012
1988-1987	5.7L (8) 350"	Camaro, Corvette	Valve	17087294	19015

CHEVROLET TRUCK

6 cyl.

1995-1993	3.1L (D) 189"	Lumina APV	Valve	17087069	19012
1984-1982	3.8L (9) 231"	El Camino	Valve	17085891,892	19000
1982	3.8L (K) 231"	El Camino	Valve	17085918,929	19001
1994	4.3L (W) 262"	S,T Series	Valve	17087218	19013
1993-1987	4.3L (B,Z) 262"	C, K10,15,20,25,30,35, L, M10, S, T10, P30, 40, ZR9, El Camino, Rally, Typhoon	Valve	17087232,240,244,8122,9066	19014

8 cyl.

1984-1982	4.4L (J) 267"	El Camino	Valve	17085891,892	19000
1993-1987	5.0L (G,H) 305"	Blazer, C10, 20, El Camino, G10, 20, K Series	Valve	17087179,215,216,230,240,9066	19014
1986-1982	5.0L (F,H) 305"	El Camino	Valve	17085891,892	19000
1993-1987	5.7L (K,M) 350"	Blazer, C, G, K, P, R, V Series	Valve	17087179,215,216,230,240	19014
1993-1987	7.4L (N,W) 454"	C, G, K, P, R, V Series	Valve	17087179,230,240	19014

CHRYSLER

4 cyl.

1985	2.6L (G) 156"	LeBaron, New Yorker, Town & Country	Valve	4306058,095,4419647,648	19015
------	---------------	-------------------------------------	-------	-------------------------	-------

DODGE

4 cyl.

1987-1985	2.2L (C) 135"	Aries, Charger, Omni, 600	Valve	4306058,095,4419647,648	19015
1985	2.6L (G) 156"	Aries, 600	Valve	4306058,095,4419647,648	19015

EVAP CANISTER PURGE VALVES

YEAR	ENGINE	MODEL	TYPE	OE #	PART #
------	--------	-------	------	------	--------

DODGE TRUCK

4 cyl.

1987-1985	2.2L (C) 135"	Caravan, Mini Ram Van, Ram 50, Rampage	Valve	4306058,095,4419647,648	19015
1987-1985	2.6L (G) 156"	Caravan, Mini Ram Van, Ram 50, Raider	Valve	4306058,095,4419647,648	19015

FORD

4 cyl.

1985-1984	1.6L (4,5) 98"	Escort, EXP	Solenoid	E37E-9C915BA	19010
1985-1984	1.6L (4,5) 98"	Escort, EXP	Valve	E37E-9B963AA	19004
1985-1984	1.6L (2,4,5,8) 98"	Escort, EXP	Solenoid	E4AE-9C915AA,BA,CA,E4ZF-AA	19011
1983	1.6L (4,5) 98"	Escort, EXP	Solenoid	E37E-9C915AA	19009
1983-1981	1.6L (2,4,5) 98"	Escort, EXP	Valve	D9AE-9B963BA	19007
1994-1993	1.8L (8) 110"	Escort	Solenoid	E4AE-9C915AA,BA,CA,E4ZF-AA	19011
1994-1985	1.9L (J,9) 116"	Escort	Solenoid	E4AE-9C915AA,BA,CA,E4ZF-AA	19011
1992-1990	1.9L (J) 116"	Escort	Valve	E37E-9B963AA	19004
1994-1993	2.0L (A) 121"	Probe	Solenoid	E4AE-9C915AA,BA,CA,E4ZF-AA	19011
1994-1984	2.3L (A,M,S,T,W,X) 140"	LTD, Mustang, Tempo, Thunderbird	Solenoid	E4AE-9C915AA,BA,CA,E4ZF-AA	19011
1989-1988	2.3L (A,S,X) 140"	Tempo	Valve	D9AE-9B963BA	19007
1983-1980	2.3L (A,R) 140"	Fairmont, Granada, LTD, Mustang II	Valve	D9AE-9B963BA	19007
1980-1977	2.3L (A,Y) 140"	Fairmont (Exc.Cal)	Valve	D8EE-9B963AA	19005
1979-1977	2.3L (Y) 140"	Mustang, Pinto	Valve	D8EE-9B963AA	19005
1991-1986	2.5L (D,N) 153"	Probe, Taurus	Solenoid	E4AE-9C915AA,BA,CA,E4ZF-AA	19011

6 cyl.

1979-1977	2.8L (Z) 171"	Mustang, Pinto	Valve	D8EE-9B963AA	19005
1994-1989	3.0L (U,Y) 183"	Tempo, Taurus	Solenoid	E4TF-9C915AA	19011
1991	3.0L (U,Y) 183"	Taurus	Solenoid	E4ZF-9C915AA	19011
1990	3.0L (U,Y) 183"	Taurus	Solenoid	E4AE-9C915AA,BA,CA	19011
1983-1980	3.3L (B) 200"	LTD II, Thunderbird	Valve	D9AE-9B963BA	19007
1979-1978	3.3L (T) 200"	Fairmont	Valve	D8EE-9B963AA	19005
1994-1990	3.8L (R,4) 232"	Mustang, Taurus, Thunderbird	Solenoid	E4TF-9C915AA	19011
1989-1984	3.8L (C,3,4) 232"	LTD, Mustang, Taurus, Thunderbird	Solenoid	E4AE-9C915AA,BA,CA	19011
1989-1984	3.8L (C,3,4) 232"	LTD, Mustang, Taurus, Thunderbird	Solenoid	E4ZF-9C915AA	19011
1986-1980	3.8L (3) 232"	LTD II, Mustang II, Thunderbird	Valve	D9AE-9B963BA	19007
1979-1978	4.1L (L) 250"	Granada	Valve	D8EE-9B963AA	19005

8 cyl.

1983-1980	4.2L (D) 255"	All	Valve	D9AE-9B963BA	19007
1994-1993	4.6L (W) 281"	Crown Victoria, Thunderbird	Solenoid	E4ZF-9C915AA	19011
1994-1993	5.0L (D,T) 302"	Mustang	Solenoid	E4TF-9C915AA	19011
1992-1979	5.0L (E,F,M) 302"	Ford, Mustang (Exc.Cal), Thunderbird	Valve	D9AE-9B963BA	19007
1989-1984	5.0L (E,F,M) 302"	Crown Victoria, Country Squire, LTD, Mustang, Thunderbird	Solenoid	E4AE-9C915AA,BA,CA,E4ZF-AA	19011
1983	5.0L (F,M) 302"	Cougar, Thunderbird	Solenoid	E37E-9C915AA	19009
1979-1978	5.0L (F) 302"	Fairmont, Granada, LTD II, Mustang, Thunderbird	Valve	D8EE-9B963AA	19005
1989-1984	5.8L (G) 351"	Crown Victoria, LTD (Incl.Police, & Can)	Solenoid	E4AE-9C915AA,BA,CA,E4ZF-AA	19011
1979	5.8L (H,Q) 351"	All	Valve	D9AE-9B963BA	19007
1979-1978	5.8L (H) 351"	LTD, Thunderbird	Valve	D8EE-9B963AA	19005
1979-1978	6.6L (S) 400"	LTD, Thunderbird	Valve	D8EE-9B963AA	19005
1978	7.5L (A,C) 460"	LTD	Valve	D8EE-9B963AA	19005

EVAP CANISTER PURGE VALVES

YEAR	ENGINE	MODEL	TYPE	OE #	PART #
------	--------	-------	------	------	--------

FORD TRUCK

4 cyl.

1989-1987	2.0L (C) 122"	Ranger	Valve	E7EE-9B963AA	19002
1988-1983	2.0L (C) 122"	Ranger (Exc.Hi-Alt)	Solenoid	E3TE-9C915AA	19009
1994-1983	2.3L (A) 140"	Ranger (Exc.Hi-Alt)	Solenoid	E3TE-9C915AA	19009
1994-1983	2.3L (A) 140"	Explorer, Ranger	Solenoid	E37E-9C915BA	19010
1989-1983	2.3L (A) 140"	Ranger (w/Hi-Alt)	Valve	E27E-9B963AA	19006

6 cyl.

1994-1983	2.8L (S) 171"	Astrostar, Ranger	Solenoid	E3TE-9C915AA	19009
1985	2.8L (S) 171"	Bronco II, Ranger	Solenoid	E4AE-9C915CA	19011
1985-1984	2.8L (S) 171"	Bronco II	Solenoid	E3TE-9C915AA	19009
1985-1983	2.8L (S) 171"	Bronco II, Ranger	Solenoid	E3TE-9C915AA,BA	19009
1994-1992	3.0L (U) 183"	Aerostar	Solenoid	E4AE-9C915CA	19011
1994-1990	3.0L (U) 183"	Ranger	Solenoid	E4AE-9C915AA,BA,CA	19011
1993-1992	3.0L (U) 183"	Ranger	Solenoid	E4ZF-9C915AA	19011
1983	3.8L (3) 232"	Bronco (w/Hi-Alt), F150-350	Valve	E3TE-9B963AA	19004
1994-1992	4.0L (X) 244"	Aerostar, Explorer, Ranger	Solenoid	E4ZF-9C915AA	19011
1994-1983	4.9L (Y) 300"	Bronco (w/Hi-Alt), F150-350	Valve	E3TE-9B963AA	19004
1994-1982	4.9L (B,E,Y) 300"	E, F Series	Solenoid	E4AF-9C915AA,E4TF-AA	19011
1994-1982	4.9L (B,E,Y) 300"	E, F Series	Valve	E3TE-9B963AA,BA	19004
1982	4.9L (B,E) 300"	E, F Series	Valve	D9AE-9B963BA	19007
1980-1978	4.9L 300"	Bronco, E, F100-350	Valve	D8EE-9B963AA	19005

8 cyl.

1994-1984	5.0L (F,N) 302"	Bronco (w/Hi-Alt), F150-350	Solenoid	E4AE-9C915CA	19011
1994-1984	5.0L (F,N) 302"	Bronco (Exc.Cal), F150 (w/2 WD), F250 (w/4 WD)	Valve	E4UE-9B963AA	19003
1994-1983	5.0L (F,N) 302"	Bronco, E150-350, F150-250	Solenoid	E3TE-9C915AA	19009
1994-1983	5.0L (F,N) 302"	E, F100-250	Valve	E3UE-9B963AA	19004
1982-1980	5.0L (F) 302"	Bronco, E, F100-350	Valve	D9AE-9B963BA	19007
1979-1978	5.0L (G) 302"	Bronco, E, F100-300	Valve	D8EE-9B963AA	19005
1994-1984	5.8L (G,H) 351"	Bronco, E, F Series	Solenoid	E4AE-9C915AA	19011
1992-1981	5.8L (G,H) 351"	Bronco (Exc.Cal), E, F100-250	Valve	E1TE-9B963FA	19007
1987-1985	5.8L (G,H) 351"	E, F150-350	Valve	E5UE-9B963AA	19008
1986-1985	5.8L (G,H) 351"	E250-350 (Over 8500 GVW)	Valve	E5TE-9B963BA,BB,CA	19007
1984	5.8L (G) 351"	Bronco (w/4Bbl.), E, F150-250	Valve	D9AE-9B963BA	19007
1979-1978	5.8L (H) 351"	Bronco, E, F100-300	Valve	D8EE-9B963AA	19005
1979-1978	6.6L (S) 400"	Bronco, E, F100-300	Valve	D8EE-9B963AA	19005
1994-1985	7.5L (G,L) 460"	E, F250-350 (Over 8500 GVW)	Valve	E5TE-9B963BA,BB,CA	19007
1990-1984	7.5L (G,L) 460"	E, F Series	Solenoid	E4AE-9C915AA	19011
1979-1978	7.5L (A) 460"	Bronco, E, F100-300	Valve	D8EE-9B963AA	19005

GMC TRUCK

6 cyl.

1984-1982	3.8L (9) 231"	Caballero	Valve	17085891,892	19000
1982	3.8L (K) 231"	Caballero	Valve	17085918,929	19001
1994	4.3L (W) 262"	S,T Series	Valve	17087218	19013
1993-1987	4.3L (B,Z) 260"	Caballero, C, G, K, L, M, S, T, W, 15, 25, 35, P35, 45 Series, Rally, Vandura	Valve	17087179,216,230,232,240,244, 8122,9066	19014

EVAP CANISTER PURGE VALVES

YEAR	ENGINE	MODEL	TYPE	OE #	PART #
GMC TRUCK (Contd)					
8 cyl.					
1984-1982	4.4L (J) 267"	Caballero	Valve	17085891,892	19000
1993-1987	5.0L (G,H) 305"	Caballero, Jimmy, C, G, K, 15, 25 Series	Valve	17087179,215,216,230,240,9066	19014
1986-1982	5.0L (F,H) 305"	Caballero	Valve	17085891,892	19000
1993-1987	5.7L (K,M) 350"	Jimmy, C, G, K, P, R, V Series	Valve	17087179,215,216,230,240	19014
1993-1987	7.4L (W) 454"	C, G, P, R, V Series	Valve	17087179,230,240	19014

LINCOLN

6 cyl.					
1994-1988	3.8L (4) 232"	Continental	Solenoid	E4AE-9C915AA,BA,CA, E4ZF-AA	19011
1994-1993	4.6L (W) 281"	Mark Series, Town Car	Solenoid	E4AZ-9C915AA,AB,AC,E4ZF-AA	19011
8 cyl.					
1992-1984	5.0L (E,F) 302"	Continental, Mark Series, Town Car	Solenoid	E4AE-9C915AA,BA,CA, E4ZF-AA	19011
1992-1979	5.0L (E,F) 302"	Continental, Mark Series, Town Car, Versailles (w/EEC from 12-4-78)	Valve	D9AE-9B963AA, E1TE-FA	19007
1983	5.0L (F) 302"	Continental, Mark Series, Town Car	Solenoid	E3TE-9C915AA	19009
1983-1980	5.0L (F) 302"	Continental, Mark Series	Valve	D9AE-9B963BA	19007
1980-1979	5.0L (F) 302"	Versailles (w/o EEC)	Valve	D9EE-9B963AA	19005
1979-1978	5.0L (F) 302"	Versailles (w/Hi-Alt before 12-4-78)	Valve	D8EE-9B963AA	19005
1980	5.8L (G) 351"	Continental, Mark Series	Valve	D9AE-9B963BA	19007
1979	6.6L (S) 400"	Continental, Mark Series	Valve	D8EE-9B963AA	19005
1978	7.5L (A) 460"	Continental, Mark Series	Valve	D8EE-9B963AA	19005

MERCURY

4 cyl.					
1985-1984	1.6L (4,5) 98"	Lynx, LN7	Solenoid	E37E-9C915BA	19010
1985-1984	1.6L (2,4,5,8) 98"	Lynx	Solenoid	E4AE-9C915AA,BA,CA,E4ZF-AA	19011
1983	1.6L (4,5) 98"	Lynx, LN7	Solenoid	E3TE-9C915AA	19009
1983-1981	1.6L (2,4,5) 98"	Lynx, LN7	Valve	D9AE-9B963BA	19007
1994-1993	1.8L (8) 110"	Tracer	Solenoid	E4AE-9C915AA,AB,AC,E4ZF-AA	19011
1994-1991	1.9L (J) 116"	Tracer	Solenoid	E4AE-9C915AA,BA,CA,E4ZF-AA	19011
1990-1986	1.9L (J,9) 116"	Lynx	Solenoid	E4AE-9C915AA,BA,CA,E4ZF-AA	19011
1987-1986	1.9L (J,9) 116"	Lynx	Valve	E3TE-9B963AA	19004
1994-1984	2.3L (A,R,S,T,W,X) 140"	Capri, Cougar, Topaz	Solenoid	E4AE-9C915AA,BA,CA,E4ZF-AA	19011
1989-1988	2.3L (A,S) 140"	Tracer	Valve	D8EE-9B963AA	19005
1989-1988	2.3L (A,S) 140"	Topaz	Valve	D9AE-9B963BA	19007
1980-1977	2.3L (A,Y) 140"	Bobcat, Capri	Valve	D8EE-9B963AA	19005
1986	2.5L (D) 153"	Sable	Solenoid	E4AE-9C915AA,BA,CA,E4ZF-AA	19011
6 cyl.					
1979-1977	2.8L (Y) 171"	Bobcat, Capri	Valve	D8EE-9B963AA	19005
1994-1990	3.0L (U,W) 184"	Sable	Solenoid	E4TF-9C915AA	19011
1983-1980	3.3L (B) 200"	Capri, Cougar, Zephyr	Valve	D9AE-9B963BA	19007
1994-1993	3.8L (4) 232"	Cougar	Solenoid	E4AE-9C915AA,AB,AC,E4ZF-AA	19011
1994-1989	3.8L (C,R,4) 232"	Cougar, Sable	Solenoid	E4TF-9C915AA	19011
1993	3.8L (4) 232"	Taurus	Solenoid	E4TF-9C915AA	19011
1989-1988	3.8L (C,4) 232"	Capri, Cougar, Marquis, Sable	Solenoid	E4AE-9C915AA,BA,CA,E4ZF-AA	19011
1989-1985	3.8L (C,R,3,4) 232"	Capri, Cougar, Marquis, Sable	Solenoid	E4AE-9C915AA,BA,CA,E4ZF-AA	19011
1986-1980	3.8L (3) 232"	Capri, Cougar, Marquis, Zephyr	Valve	D9AE-9B963BA	19007
1980	4.1L (C) 250"	Monarch	Valve	D9AE-9B963BA	19007

EVAP CANISTER PURGE VALVES

YEAR	ENGINE	MODEL	TYPE	OE #	PART #
MERCURY (Contd)					
8 cyl.					
1983-1980	4.2L (D) 255"	All	Valve	D9AE-9B963BA	19007
1994	4.6L (W) 281"	Cougar	Solenoid	E4AE-9C915AA,AB,AC,A4ZF-AA	19011
1994-1993	4.6L (W) 281"	Grand Marquis	Solenoid	E4AE-9C915AA,AB,AC,E4ZF-AA	19011
1992-1979	5.0L (E,F,M) 302"	Capri, Cougar	Valve	D9AE-9B963BA,E1TE-FA	19007
1989-1984	5.0L (F,M) 302"	Capri, Cougar, Grand Marquis	Solenoid	E4AE-9C915AA,BA,CA,E4ZF-AA	19011
1979-1978	5.0L (F) 302"	Capri, Cougar, Monarch, Zephyr	Valve	D8EE-9B963AA	19005
1989-1987	5.8L (G) 351"	Grand Marquis	Solenoid	E4AE-9C915AA,BA,CA,E4ZF-AA	19011
1979	5.8L (H,Q) 351"	All	Valve	D9AE-9B963BA	19007
1979-1978	5.8L (H,Q) 351"	Capri, Cougar, Monarch, Zephyr	Valve	D8EE-9B963AA	19005
1978	6.6L (S) 400"	Grand Marquis	Valve	D8EE-9B963AA	19005
1978	7.5L (A,C) 460"	Grand Marquis	Valve	D8EE-9B963AA	19005

OLDSMOBILE

4 cyl.					
1982	1.8L (G) 111"	Firenza	Valve	17070291	19014
1987	2.0L (K,1) 121"	Firenza	Valve	17087069	19012
1993-1992	2.2L (4) 134"	Ciera	Valve	17087069	19012
1992-1990	2.5L (R) 151"	Ciera, Cutlass	Valve	17087069	19012
6 cyl.					
1987	2.8L (W) 171"	Firenza	Valve	17090161	19014
1986-1981	2.8L (X,Z) 171"	Ciera, Omega	Valve	17072400,17091155	19015
1985-1983	3.0L (E) 184"	Ciera, Regency	Valve	17083535,17085918,928,929	19001
1992-1991	3.8L (L) 231"	Custom Cruiser	Valve	17089068	19014
1987-1981	3.8L (A,3) 231"	Cutlass, Delta 88	Valve	17083535,17085918,928,929	19001
1984-1981	4.1L (4) 252"	Toronado	Valve	17083535,17085918,928,929	19001
8 cyl.					
1982-1981	4.3L (F,8) 260"	Cutlass, Delta	Valve	17085929	19001
1982	4.4L (J) 267"	Cutlass	Valve	17075074,17085891,892	19000
1992-1991	5.0L (E) 305"	Custom Cruiser	Valve	17089068	19014
1991	5.0L (E) 305"	Custom Cruiser Wagon	Valve	17087240	19014
1990-1981	5.0L (Y,9) 307"	Custom Cruiser Wagon, Cutlass, Cutlass Supreme, Delta 88, Toronado, 98	Valve	17083535,17085918,928,929	19001
1992-1991	5.7L (7) 350"	Custom Cruiser, Coachbuilder Wagon	Valve	17089068	19014

OLDSMOBILE TRUCK

4 cyl.					
1995-1993	3.1L (D) 189"	Silhouette	Valve	17087069	19012

PLYMOUTH

4 cyl.					
1987-1985	2.2L (C,8) 135"	Horizon, Reliant, Turismo	Valve	4306058,095,4419647,648	19015
1985	2.6L (G) 156"	Caravelle, Reliant	Valve	4306058,095,4419647,648	19015

EVAP CANISTER PURGE VALVES

YEAR	ENGINE	MODEL	TYPE	OE #	PART #
------	--------	-------	------	------	--------

PLYMOUTH TRUCK

4 cyl.

1987-1985	2.2L (C) 135"	Voyager	Valve	4306058,095,4419647,648	19015
1987-1985	2.6L (G) 156"	Voyager	Valve	4306058,095,4419647,648	19015

PONTIAC

4 cyl.

1987-1981	1.6L (C) 98"	T1000	Valve	17070147,17070894	19014
1987-1981	1.6L (C) 98"	T1000	Valve	17091155	19015
1983-1982	1.8L (G) 112"	J2000	Valve	17070291	19014
1990	2.5L (R,U) 151"	6000	Valve	17087069	19012
1981	2.5L (5) 151"	Phoenix	Valve	17090158,17074496	19014

6 cyl.

1989-1985	2.8L (S) 173"	Firebird	Valve	17091155	19015
1989-1982	2.8L (L,S,1) 173"	Firebird	Valve	17085905	19014
1986-1985	2.8L (X) 171"	6000	Valve	17083535,17085918,928,929	19001
1986-1981	2.8L (X,Z) 171"	Phoenix, 6000	Valve	17091155,17072400	19015
1994-1992	3.1L (D,T) 189"	Sunbird	Valve	17087232,17090161	19014
1993-1990	3.1L (T) 189"	Firebird, Grand Prix, Sunbird (w/MT)	Valve	17087244,17090161	19014
1993	3.4L (X) 207"	Firebird	Valve	17091151	19014
1987-1981	3.8L (A,K) 231"	Parisienne	Valve	17083535,17085918,928,929	19001
1983	3.8L (9) 229"	Bonneville, Grand Prix	Valve	17075074,17085891,892	19000
1983-1982	4.1L (4) 252"	Bonneville, Grand Prix	Valve	17083535,17085918,928,929	19001
1987	4.3L (Z) 260"	Bonneville, Grand Prix	Valve	17087218	19013

8 cyl.

1981	4.3L (S) 260"	Bonneville	Valve	17085929	19001
1981	4.4L (J) 267"	Bonneville, Firebird, Grand Prix	Valve	17075074,17085891,892	19000
1992-1986	5.0L (E,F,G,H) 305"	Firebird, Grand Prix, Parisienne	Valve	17087240,244,293	19014
1989-1986	5.0L (Y) 307"	Grand Prix, Parisienne, Safari Wagon	Valve	17083535,17085918,928,929	19001
1988	5.0L (E,F,Y) 305"	Firebird	Valve	17087069	19012
1988-1985	5.0L (F) 305"	Firebird	Valve	17077161,17090159	19015
1987-1983	5.0L (F,H) 305"	Firebird	Valve	17085005	19015
1983-1982	5.0L (H) 305"	Bonneville, Firebird, Grand Prix	Valve	17075074,17085891,892	19000
1981	5.0L (Y) 307"	Bonneville, Firebird, Grand Prix	Valve	17085929	19001
1997-1988	5.7L (8) 350"	Firebird	Valve	17087240,17091151	19014
1989-1988	5.7L (8) 350"	Firebird	Valve	17087069	19012
1988-1987	5.7L (8) 350"	Firebird	Valve	17077161,17087294,17090159	19015

PONTIAC TRUCK

4 cyl.

1995-1993	3.1L (D) 189"	Trans Sport	Valve	17087069	19012
-----------	---------------	-------------	-------	----------	-------

EVAP CANISTER PURGE VALVES

OEM INTERCHANGES

OEM #	PART #	OEM #	PART #	OEM #	PART #	OEM #	PART #
FORD		E4TF-9C915AA	19011	17071999	19014	17087217	19014
D8EE-9B963AA	19005	E4UE-9B963AA	19003	17072400	19015	17087218	19013
D8FZ-9B963B	19005	E4UZ-9B963A	19003	17073085	19000	17087230	19014
D9AE-9B963BA	19007	E4ZF-9C915AA	19011	17073535	19001	17087232	19014
D9AZ-9B963B	19007	E5TE-9B963BA	19007	17074286	19014	17087240	19014
E1TE-9B963BA	19007	E5TE-9B963BB	19007	17074287	19015	17087244	19014
E1TE-9B963FA	19007	E5TE-9B963BC	19007	17074496	19014	17087293	19014
E1TZ-9B963A	19007	E5TE-9B963CA	19007	17075074	19000	17087294	19015
E1TZ-9B963B	19007	E5UE-9B963A	19008	17075075	19000	17087295	19014
E27E-9B963AA	19006	E5UE-9B963AA	19008	17075905	19014	17087303	19014
E37E-9C915BA	19010	E5UZ-9B963A	19008	17077161	19015	17088120	19014
E3TE-9B963AA	19004	E6ZZ-9C915A	19011	17083535	19001	17088121	19015
E3TE-9B963BA	19004	E77E-9B963AA	19002	17085005	19015	17088122	19014
E3TE-9B963BA	19009	E7TZ-9B963A	19002	17085891	19000	17088133	19014
E3TE-9C915AA	19009	E9DZ-9C915A	19011	17085892	19000	17089066	19014
E3TZ-9B963A	19006			17085904	19015	17089068	19014
E3TZ-9B963B	19004	GENERAL MOTORS		17085905	19014	17090067	19014
E3TZ-9C915A	19009	17060514	19015	17085916	19014	17090144	19015
E3UE-9B963AA	19004	17060894	19014	17085918	19001	17090157	19015
E3UZ-9B963A	19004	17063486	19014	17085928	19001	17090158	19014
E4AE-9C915AA	19011	17070147	19014	17085929	19001	17090159	19015
E4AE-9C915BA	19011	17070291	19014	17086067	19015	17090160	19015
E4AE-9C915CA	19011	17070323	19001	17087069	19012	17090161	19014
E4AZ-9C915A	19011	17070415	19001	17087178	19014	17090162	19015
E4AZ-9C915AA	19011	17070476	19014	17087179	19014	17091151	19014
E4AZ-9C915B	19011	17070627	19000	17087215	19014	17091152	19015
E4AZ-9C915C	19011	17070894	19014	17087216	19014	17091155	19015
						17092255	19015

NUMERICAL LIST

PART #	APPLICATION & YEAR	FIG. #
19000	BUICK 81-84, CHEV 81-86, C TRK, GMC TRK 82-86, OLDS 82, PONT 81-83	1
19001	BUICK, CHEV, OLDS 81-90, CAD 81-82,86-90, C TRK, GMC TRK 82, PONT 81-89	2
19002	F TRK 87-88	3
19003	F TRK 84-94	4
19004	FORD 84-85, 90-92, F TRK 82-94, MERC 86-87	4
19005	FORD 77-80, F TRK, LINC 78-80, MERC 77-89	5
19006	F TRK 83-89	3
19007	FORD, LINC, MERC 79-92, F TRK 80-94	6
19008	F TRK 85-87	6
19009	FORD, LINC, MERC 83, F TRK 83-94	7
19010	FORD, MERC 84-85, F TRK 83-94	8
19011	FORD, F TRK, LINC, MERC 84-94	9
19012	BUICK 87 & 90, CHEV 87-90,92, C TRK 93, OLDS 87,90,93, PONT 88-90	10
19013	CHEV 87-88, PONT 87	10
19014	BUICK 82,91-93, CAD 82,91-93, CHEV 81-93, C TRK, GMC TRK 87-93, OLDS 82,87, 91-92, PONT 82-93	11
19015	BUICK, OLDS 81-86, CHRY, 85, CAD 88-93, CHEV 80-88, 90, DODGE, D TRK, PLY, PLY TRK 85-87, PONT 81-88	11

EVAP CANISTER PURGE VALVES



FIG. 1



FIG. 2



FIG. 3



FIG. 4



FIG. 5



FIG. 6



FIG. 7



FIG. 8



FIG. 9



FIG. 10



FIG. 11