

AIR MANAGEMENT VALVES DIVERTER VALVES

WHAT THEY DO

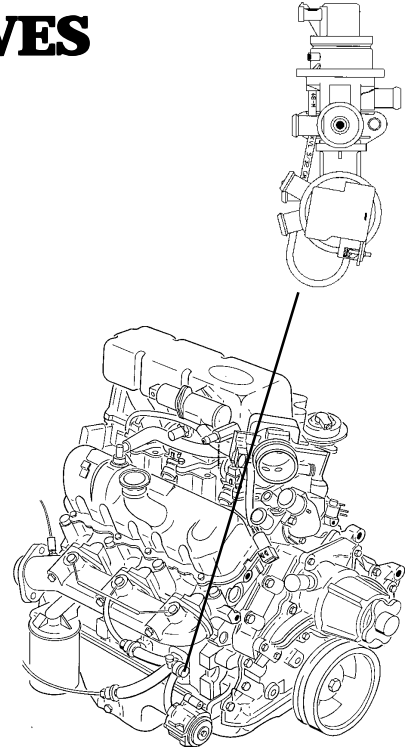
Divert fresh air to the exhaust, atmosphere, or catalytic converter. This helps reduce HC and CO emissions.

FAILURE SYMPTOMS

Exhaust leak or noise. Backfire. Air Pump or Air Pump Check Valve failure can indicate a bad Diverter Valve.
High emissions levels.

MAINTENANCE/SERVICE

Inspect valve for damage and proper operation at every tune-up or emissions performance check.



YEAR	ENGINE	MODEL	OE #	PART #
BUICK				
4 cyl.				
1982-1981	1.8L (D) 112"	Skylark	14003916	25011
6 cyl.				
1986-1984	2.8L (X) 173"	Century, Skylark	17074977	25008
1982-1981	2.8L (X) 173"	All	14003916	25011
1985-1984	3.0L (E) 181"	Century, Electra	17072997	25003
1987-1984	3.8L (A,3) 231"	LeSabre, Regal	17072997	25003
1981-1980	3.8L (A) 231"	Century, Regal	17062994	25004
1984	4.1L (4) 252"	LeSabre, Riviera	17072997	25003
8 cyl.				
1990-1981	5.0L (Y) 307"	Electra, LeSabre Wagon	17064880	25000
1987-1981	5.0L (Y) 307"	LeSabre, Regal, Riviera	17064880	25000
1983-1981	5.0L (Y) 307"	Electra, LeSabre, Riviera	17064379	25001
1980	5.0L (H) 305"	Century, Regal	17058244	25013
1978	5.0L (H) 305"	All	17084003	25012
1979-1977	5.7L (J,L,R) 350"	All	17086120	25014
1978	5.7L (L,P,R,X) 350"	All	17084003	25012
1979-1977	6.6L (K) 403"	All	17086120	25014

AIR MANAGEMENT/DIVERTER VALVES

YEAR	ENGINE	MODEL	OE#	PART#
CADILLAC				
8 cyl.				
1990-1986	5.0L (Y,9) 307"	Brougham, Fleetwood	17064880	25000
1983	5.0L (Y) 307"	Eldorado, Seville	17064880	25000
1983	5.0L (Y) 307"	Eldorado, Seville	17064379	25001

CHEVROLET

4 cyl.				
1987-1983	1.6L (C) 98"	Chevette	17074393	25009
6 cyl.				
1986-1984	2.8L (X) 173"	Celebrity, Citation	17074977	25008
1982-1981	2.8L (X) 173"	All	14003916	25011
1986	3.8L (A) 231"	Monte Carlo	17072997	25003
1984	3.8L (A) 231"	Impala, Monte Carlo	17072997	25003
1983-1982	3.8L (K) 229"	Malibu, Monte Carlo	17070623	25002
1983-1982	3.8L (K,9) 229"	Caprice, Impala	17070624	25007
1981	3.8L (A) 231"	Malibu, Monte Carlo	17062994	25004
1981	3.8L (K) 229"	Malibu, Monte Carlo	17071547	25005
1981	3.8L (K) 229"	Camaro, Caprice, Impala, Monte Carlo	17071548	25006
8 cyl.				
1982	4.4L (J) 267"	Caprice, Impala, Monte Carlo	17070624	25007
1981	4.4L (J) 267"	Malibu, Monte Carlo	17071547	25005
1981	4.4L (J) 267"	Camaro, Caprice, Impala, Monte Carlo	17071548	25006
1990-1986	5.0L (Y) 307"	Caprice, Monte Carlo	17064880	25000
1983-1982	5.0L (H) 305"	Malibu, Monte Carlo	17070623	25002
1983-1982	5.0L (H) 305"	Caprice, Impala	17070624	25007
1981	5.0L (H) 305"	Malibu, Monte Carlo	17071547	25005
1981	5.0L (H) 305"	Camaro, Caprice, Impala, Monte Carlo	17071548	25006
1978	5.0L (U) 305"	Monza (Cal.)	17084003	25012
1981	5.7L (L) 350"	Malibu	17071547	25005
1981	5.7L (L) 350"	Camaro, Caprice, Impala, Monte Carlo	17071548	25006

CHEVROLET TRUCK

6 cyl.				
1985-1983	2.8L (B) 173"	All	14054823	25010
1982	3.8L (K) 229"	El Camino	17070623	25002
1981	3.8L (A) 231"	El Camino	17062994	25004
1981	3.8L (K) 229"	El Camino	17071547	25005
8 cyl.				
1982	4.4L (J) 267"	El Camino	17070623	25002
1981	4.4L (J) 267"	El Camino	17071547	25005
1983-1982	5.0L (H) 305"	El Camino	17070623	25002
1987-1986	6.0L 366"	B, P Series (Cal.)	17062988	25016
1984-1980	6.0L 366"	B, P Series	17062988	25016
1985-1980	7.0L 427"	B, P Series	17062988	25016
1980	7.4L (S) 454"	B, P Series	17062988	25016

AIR MANAGEMENT / DIVERTER VALVES

YEAR	ENGINE	MODEL	OE #	PART #
------	--------	-------	------	--------

FORD

4 cyl.

1985-1983	1.6L (2,4,5) 98"	Escort, EXP (w/MT)	E1AE-9F491A4A,E1AZ-A	25018
-----------	------------------	--------------------	----------------------	-------

6 cyl.

1983-1982	3.8L (3) 232"	All	E1TE-9F491AB,E3TZ-A,E47E-AB,E4SE-BA	25017
-----------	---------------	-----	-------------------------------------	-------

8 cyl.

1992-1990	5.0L (F) 302"	Mustang	E1TE-9F491AB,E3TZ-A,E47E-AB,E4SE-BA	25017
1989-1984	5.0L (F) 302"	All	E1TE-9F491AB,E3TZ-A,E47E-AB,E4SE-BA	25017
1985-1983	5.0L (F) 302"	LTD (w/TBI)	E1AE-9F491A4A,E1AZ-A	25018
1983	5.0L (F) 302"	Mustang (Cal.)	E1TE-9F491AB,E3TZ-A,E47E-AB,E4SE-BA	25017
1982	5.0L (F) 302"	LTD (Exc.Hi Alt)	E1AE-9F491A4A,E1AZ-A	25018
1981	5.0L (F) 302"	All	E1AE-9F491A4A,E1AZ-A	25018

FORD TRUCK

4 cyl.

1983-1982	2.0L (C) 122"	Bronco, E, F Series	E1TE-9F491AB,E3TZ-A,E47E-AB,E4SE-BA	25017
1984	2.3L (A) 140"	Bronco, E, F Series	E1TE-9F491AB,E3TZ-A,E47E-AB,E4SE-BA	25017
1984-1982	2.3L (A) 140"	Bronco, E, F Series	E1TE-9F491AB,E3TZ-A,E47E-AB,E4SE-BA	25017
1984-1983	2.8L (S) 170"	Bronco, E, F Series	E1TE-9F491AB,E3TZ-A,E47E-AB,E4SE-BA	25017

6 cyl.

1989-1986	4.9L (Y) 300"	E, F250, 350	E1TZ-9B289B	25020
1983	4.9L (Y) 300"	Bronco, E, F Series	E1TE-9F491AB,E3TZ-A,E47E-AB,E4SE-BA	25017

8 cyl.

1994-1990	5.0L (N) 302"	E, F Series (Under 8500 GVW)	E1TE-9B289GA	25019
1994-1990	5.0L (N) 302"	E150	E8TE-9B289AA,E8TZ-A	25021
1992-1991	5.0L (N) 302"	E Series	E1TE-9F491AB,E3TZ-A,E47E-AB,E4SE-BA	25017
1992-1990	5.0L (N) 302"	Bronco	E1TE-9B289GA	25019
1991-1987	5.0L (N) 302"	E250	E8TE-9B289AA,E8TZ-A	25021
1990-1987	5.0L (N) 302"	Bronco, F150, 250	E8TE-9B289AA,E8TZ-A	25021
1990-1986	5.0L (N) 302"	Bronco, E, F Series	E1TE-9F491AB,E3TZ-A,E47E-AB,E4SE-BA	25017
1989-1987	5.0L (N) 302"	E150	E8TE-9B289AA,E8TZ-A	25021
1989-1986	5.0L (N) 302"	Bronco, E, F Series	E1TE-9B289GA	25019
1985	5.0L (N) 302"	Bronco, E, F Series	E1TE-9F491AB,E3TZ-A,E47E-AB,E4SE-BA	25017
1984	5.0L (N) 302"	E Series	E1TE-9F491AB,E3TZ-A,E47E-AB,E4SE-BA	25017
1982	5.0L (N) 302"	Bronco, E, F Series	E1TE-9F491AB,E3TZ-A,E47E-AB,E4SE-BA	25017
1994-1993	5.8L (H) 351"	F150	E8TE-9B289AA,E8TZ-A	25021
1994-1990	5.8L (H) 351"	Bronco, E150, 250, F150	E8TE-9B289AA,E8TZ-A	25021
1993-1990	5.8L (H) 351"	F250 (Under 8500 GVW)	E8TE-9B289AA,E8TZ-A	25021
1992-1988	5.8L (H) 351"	Bronco, E, F Series	E1TE-9F491AB,E3TZ-A,E47E-AB,E4SE-BA	25017
1989-1988	5.8L (H) 351"	Bronco, E, F150, 250, 350	E8TE-9B289AA,E8TZ-A	25021
1985-1984	5.8L (H) 351"	Bronco, E, F Series	E1TE-9F491AB,E3TZ-A,E47E-AB,E4SE-BA	25017
1992-1988	7.5L (G) 460"	E, F Series	E8TZ-9F491BA	25015
1987-1986	7.5L (L) 460"	E, F350	E1TZ-9B289B	25020

AIR MANAGEMENT/DIVERTER VALVES

YEAR	ENGINE	MODEL	OE#	PART#
------	--------	-------	-----	-------

GMC

6 cyl.

1985-1983	2.8L (B) 173"	All	14054823	25010
-----------	---------------	-----	----------	-------

8 cyl.

1987-1986	6.0L 366"	B, P Series (Cal.)	17062988	25016
1984-1980	6.0L 366"	B, P Series	17062988	25016
1985-1980	7.0L 427"	B, P Series	17062988	25016
1980	7.4L (S) 454"	B, P Series	17062988	25016

GMC TRUCK

6 cyl.

1982	3.8L (K) 229"	Caballero	17070623	25002
1981	3.8L (K) 229"	Caballero	17071547	25005
1981	3.8L (A) 231"	Caballero	17062994	25004

8 cyl.

1982	4.4L (J) 267"	Caballero	17070623	25002
1981	4.4L (J) 267"	Caballero	17071547	25005
1983-1982	5.0L (H) 305"	Caballero	17070623	25002
1981	5.0L (H) 305"	Caballero	17071547	25005

LINCOLN

6 cyl.

1982	3.8L (3) 232"	Continental	E1TE-9F491AB,E3TZ-A,E47E-AB,E4SE-BA	25017
------	---------------	-------------	-------------------------------------	-------

8 cyl.

1992-1986	5.0L (E,F) 302"	Continental, Mark Series, Town Car	E1TE-9B289GA	25019
1990-1984	5.0L (F) 302"	Continental, Mark Series, Town Car	E1TE-9F491AB,E3TZ-A,E47E-AB,E4SE-BA	25017
1984-1981	5.0L (F) 302"	All (w/TBI)	E1AE-9F491A4A,E1AZ-A	25018

MERCURY

4 cyl.

1982-1981	1.9L (2) 98"	LN7 (w/MT)	E1AE-9F491A4A,E1AZ-A	25018
-----------	--------------	------------	----------------------	-------

6 cyl.

1983-1982	3.8L (3) 232"	All	E1TE-9F491AB,E3TZ-A,E47E-AB,E4SE-BA	25017
-----------	---------------	-----	-------------------------------------	-------

8 cyl.

1991-1986	5.0L (F) 302"	Capri, Colony Park, Cougar, Grand Marquis	E1TZ-9B289C	25019
1988-1984	5.0L (E,F) 302"	All	E1TE-9F491AB,E3TZ-A,E47E-AB,E4SE-BA	25017
1985-1983	5.0L (F) 302"	All (w/TBI)	E1AE-9F491A4A,E1AZ-A	25018
1982	5.0L (F) 302"	Marquis (Exc.Hi-Alt)	E1AE-9F491A4A,E1AZ-A	25018
1981	5.0L (F) 302"	All	E1AE-9F491A4A,E1AZ-A	25018

AIR MANAGEMENT / DIVERTER VALVES

YEAR	ENGINE	MODEL	OE #	PART #
------	--------	-------	------	--------

OLDSMOBILE

4 cyl.

1982-1981	1.8L (O) 112"	All	14003916	25011
-----------	---------------	-----	----------	-------

6 cyl.

1982-1981	2.8L (X) 173"	All	14003916	25011
1985-1984	3.0L (E) 181"	Cutlass Ciera, 98	17072997	25003
1987-1984	3.8L (A) 231"	Cutlass, Cutlass Supreme, Delta 88	17072997	25003
1981	3.8L (A) 231"	Cutlass, Cutlass Supreme	17062994	25004
1984	4.1L (4) 252"	Toronado	17072997	25003

8 cyl.

1983-1981	4.3L (8) 260"	Cutlass, Cutlass Supreme, Delta 88, 98, Toronado	17064379	25001
1982	4.3L (8) 260"	Cutlass, Cutlass Supreme, Delta 88, 98	17064880	25000
1979-1977	4.3L (8) 260"	All	17086120	25014
1990-1986	5.0L (Y) 307"	Custom Cruiser	17064880	25000
1987-1981	5.0L (Y,9) 307"	Cutlass, Cutlass Supreme, Delta 88, 98, Toronado	17064880	25000
1983-1981	5.0L (Y) 307"	Cutlass, Cutlass Supreme, Delta 88, 98, Toronado	17064379	25001
1981	5.0L (H) 305"	Cutlass, Cutlass Supreme, Cutlass Supreme Station Wagon	17071547	25005
1979-1977	5.7L (R,X) 350"	All	17086120	25014
1979-1977	6.6L (K) 403"	All	17086120	25014

PONTIAC

4 cyl.

1987-1983	1.6L (C) 98"	T1000	17074393	25009
1982-1981	1.8L (O) 112"	All	14003916	25011

6 cyl.

1986-1984	2.8L (X) 173"	6000, Phoenix	17074977	25008
1982-1981	2.8L (X) 173"	All	14003916	25011
1987-1985	3.8L (A) 231"	Bonneville, Grand Prix	17072997	25003
1981	3.8L (A) 231"	Firebird, Grand Prix, LeMans	17062994	25004

8 cyl.

1989-1986	5.0L (Y) 307"	Safari Wagon	17064880	25000
1987-1986	5.0L (Y) 307"	Grand Prix	17064880	25000
1983	5.0L (H) 305"	Bonneville, Grand Prix 1st Design (w/ External Tubing, Incl. Cal.)	17070623	25002
1981	5.0L (Y) 307"	Bonneville, Catalina (Incl.Station Wagon)	17064880	25000
1981	5.0L (Y) 307"	All (Incl.Station Wagon)	17064379	25001
1981	5.0L (H) 305"	LeMans	17071547	25005
1981	5.0L (H) 305"	Firebird	17071548	25006
1980	5.0L (H) 305"	Firebird, Grand Prix, LeMans	17058244	25013
1979-1977	5.0L (H) 305"	Firebird	17084003	25012
1978-1977	5.0L (U) 305"	Phoenix (Cal.)	17084003	25012
1979-1977	5.7L (L,P,R,X) 350"	Grand AM, Grand Prix, LeMans, Phoenix	17084003	25012
1979-1977	5.7L (L,P,R,X) 350"	All	17086120	25014
1979-1977	6.6L (K) 403"	All	17086120	25014

AIR MANAGEMENT/DIVERTER VALVES

O.E.M. LISTING				NUMERIC LIST		
OEM#	PART #	OEM#	PART #	PART#	APPLICATION & YEAR	FIG. #
FORD		GM		25000	BUICK, OLDS 81-90, CAD 83, 86-90, CHEV 86-89, PONT 81, 86-89	1
E1AE-9F491A4A	25018	14003916	25011	25001	BUICK, OLDS 81-83, CAD 83, PONT 81	2
E1AZ-9F491A	25018	14054823	25010	25002	CHEV, C TRK, GMC TRK 82-83, PONT 83	3
E1TE-9B289GA	25019	17058244	25013	25003	BUICK, OLDS 84-87, CHEV 84 & 86, PONT 85-87	4
E1TE-9F491AB	25017	17062988	25016	25004	BUICK, 80-81, CHEV, C TRK, GMC TRK, OLDS, PONT 81	5
E1TZ-9B289B	25020	17062994	25004	25005	CHEV, C TRK, GMC TRK, OLDS, PONT 81	6
E1TZ-9B289C	25019	17064379	25001	25006	CHEV, PONT 81	7
E3TZ-9F491A	25017	17064880	25000	25007	CHEV 82-83	8
E47E-9F491AB	25017	17070623	25002	25008	BUICK, CHEV, PONT 84-86	9
E4SE-9F491BA	25017	17070624	25007	25009	CHEV, PONT 83-87	10
E8TE-9B289AA	25021	17071547	25005	25010	C TRK, GMC 83-85	11
E8TZ-9B289A	25021	17071548	25006	25011	BUICK, CHEV, OLDS, PONT 81-82	12
E8TZ-9F491BA	25015	17072997	25003	25012	BUICK, CHEV 78, PONT 77-79	N/A
		17074393	25009	25013	BUICK, PONT 80	13
		17074977	25008	25014	BUICK, OLDS, PONT 77-79	14
		17084003	25012	25015	F TRK 88-92	15
		17086120	25014	25016	C TRK, GMC 80-87	16
				25017	FORD, F TRK 82-92, LINC 84-90, 82, MERC 82-88	17
				25018	FORD, MERC 81-85, LINC 81-84	18
				25019	F TRK 86-94, LINC 86-92, ,MERC 86-91	N/A
				25020	F TRK 86-89	N/A
				25021	F TRK 87-94	19



FIG. 1



FIG. 2



FIG. 3

AIR MANAGEMENT/DIVERTER VALVES



FIG. 4



FIG. 5



FIG. 6



FIG. 7



FIG. 8



FIG. 9

AIR MANAGEMENT/DIVERTER VALVES



FIG. 10



FIG. 11



FIG. 12



FIG. 13



FIG. 14



FIG. 15

AIR MANAGEMENT/DIVERTER VALVES



FIG. 16



FIG. 17



FIG. 18



FIG. 19